



Symbol of Quality & Spirit of Master



TAKUMI **Spark Plug**

Application Catalog



PREFACE

A word about this catalogue. We have tried to make this catalogue as comprehensive and factual as possible. However, since the time of printing some of the information you'll find here may have been updated. Also, some of the equipment shown or described through this catalogue may have been changed. Further, TAKUMI, reserves the right to make changes at any time without notice.

This catalogue is intended to provide the basic information of TAKUMI spark plugs. It is designed to aid individual who is studying on his or her own. There are so many types of engines in use today, it is reasonable to expect that differences exist in engine components and systems. To avoid undue repetition, the practice of using representative systems and units is carried out throughout this catalogue. Subject matter treatment is from a generalized point of view and should be supplemented by reference to manufacturer's manuals or other textbooks if more detail is desired. This catalogue is not intended to replace, substitute for, or supersede official regulations or the manufacturer's instructions. TAKUMI will not be responsible for any sub-sequences caused by misuse of this catalogue.

No TAKUMI Dealer or other person is authorized or permitted to give or make any statement, assertion or undertaking in relation to the quality, performance characteristics, descriptions or fitness for any purpose of any TAKUMI product which is at variance with any written statement, assertion or undertaking on any of these subjects given or made by TAKUMI in its published sales literature, and TAKUMI does not accept any liability for any such unauthorized action.

TAKUMI has authorized Dealers in many parts for the sale of service parts and the provision of service to owners of TAKUMI's products. Every endeavour is made to ensure that such Dealers carry adequate stocks of service parts, but TAKUMI doesn't make any promise other than that contained in the New Vehicle Warranty given by TAKUMI that such parts or service facilities will be available at any specific location or at any particular time.



Symbol of Quality & Spirit of Master



CONTENT

- 02 Company Introduction
- 04 Numbering System
- 05 Spark Plug Structure
- 06 Spark Plug Diagram
- 08 Spark Plug Family Introduction
- 09 R&D and Manufacturing Facilities
- 13 Spark Plug Knowledge
- 19 Suggested Product Series
- 21 Failure Model Analysis
- 24 Vehicle Applications
- 63 Packaging and Logistics



COMPANY INTRODUCTION

(1)TAKUMI Symbol of Quality & Spirit of Master

With 60 years experience in automotive industry, TAKUMI Japan has extended its business from traditional auto parts to new energy section. For many years TAKUMI Japan has been putting quality and performance in high priority and keeping a small group of prestigious clients. However, many customers keep on asking for agency to distribute TAKUMI Japan products. Only recent years, TAKUMI Japan is considering to satisfy customer requirements by granting agency to those qualified applicants.

In order to help customers to be competitive in the market, TAKUMI Japan not only stick to high quality and performance, but also take actions to lower manufacturing cost and operational cost. The target is to cooperate with partners from all over the world to establish global sales network to satisfy customers and end users.

(2)TAKUMI Japan was originally specialized in the design, manufacture and marketing of engine ignition system parts and filtration system parts, later extended its product lines to hybrid batteries, auto cooling system parts, braking system parts, fuel injectors and sensors. Taking advantage of the leading technologies, products from TAKUMI Japan has been obtaining good reputation and gaining customers' satisfaction.

TAKUMI Japan has professional team for international markets and been regularly participating major international exhibitions to help customers to be famous in local markets.

Thanks for worldwide customers, TAKUMI Japan will continue to develop more high quality products to meet customers satisfaction.

IGNITION SYSTEM PARTS

Spark plug
Ignition coil
Ignition wire sets



FILTRATION SYSTEM PARTS

Oil filters, air filters, cabin filters
and fuel filters



HYBRID BATTERIES

Toyota Camry Prius, Lexus,
Honda Accord Insight Civic
Fit. Guaranteed quality with
warranty and OE performance



ENGINE COOLING SYSTEM

Auto pump bearings &
mechanical seals



BRAKE SYSTEM PARTS



FUEL INJECTORS



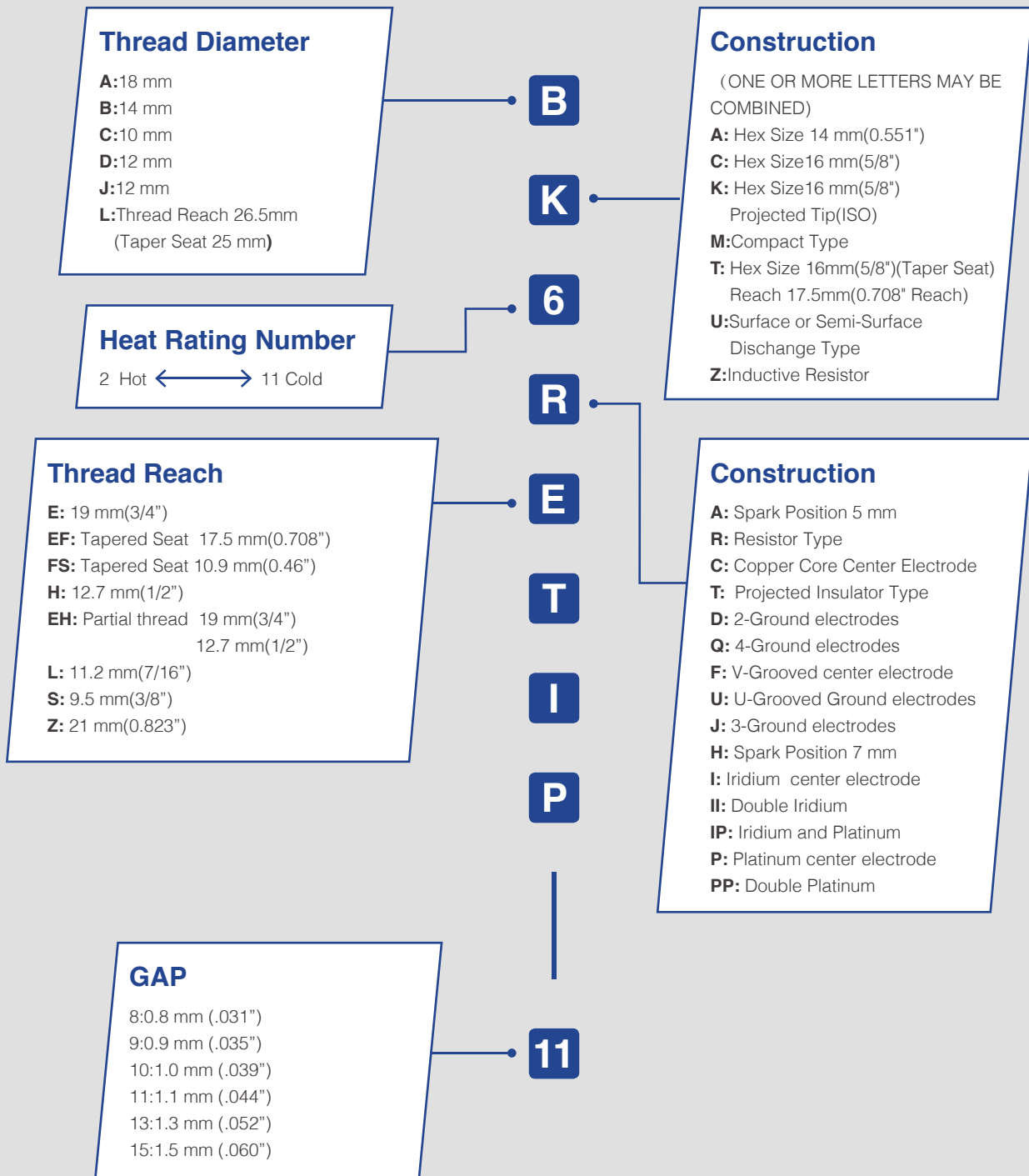
AUTO SENSORS



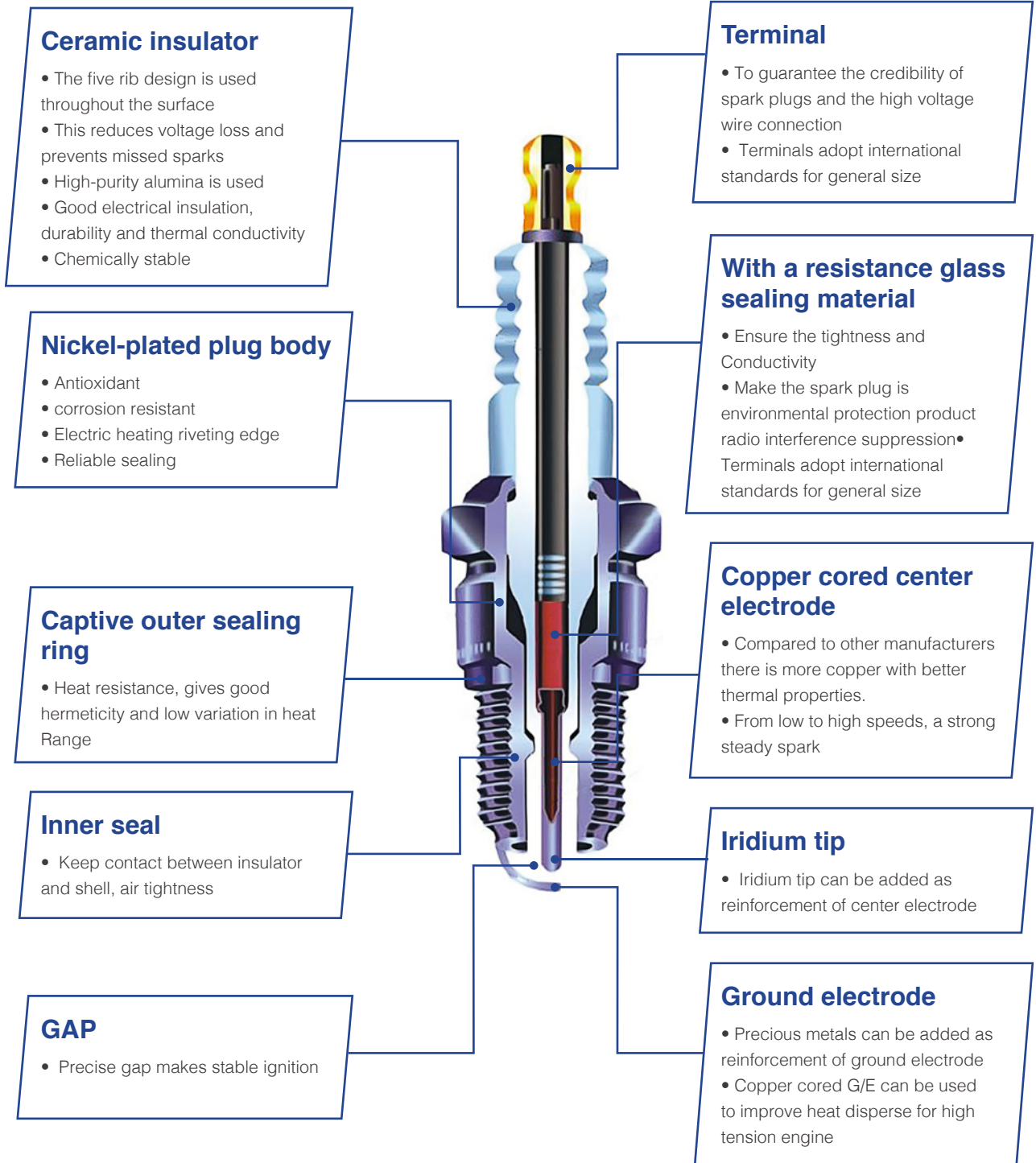
WIPER BLADES



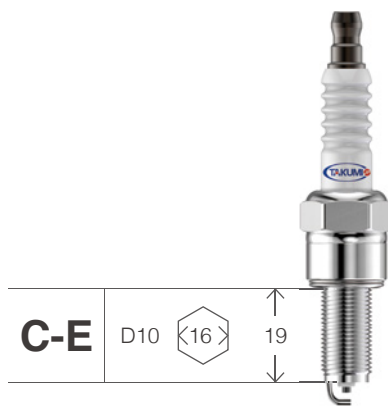
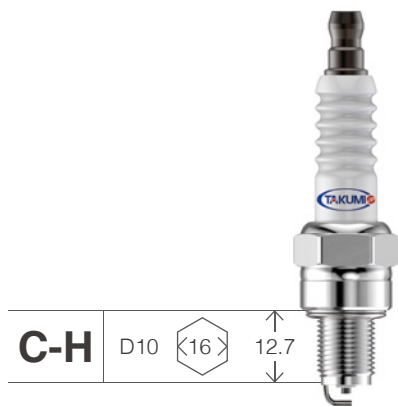
NUMBERING SYSTEM

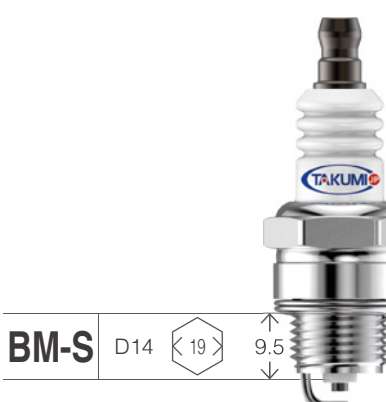
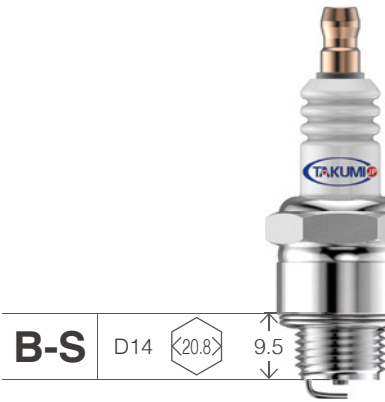
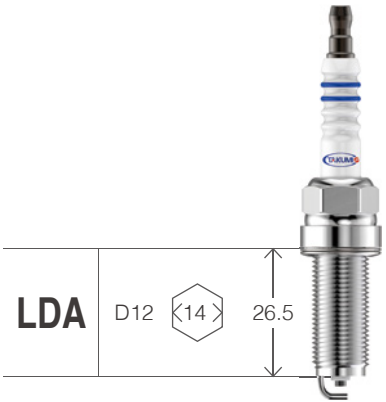


SPARK PLUG STRUCTURE

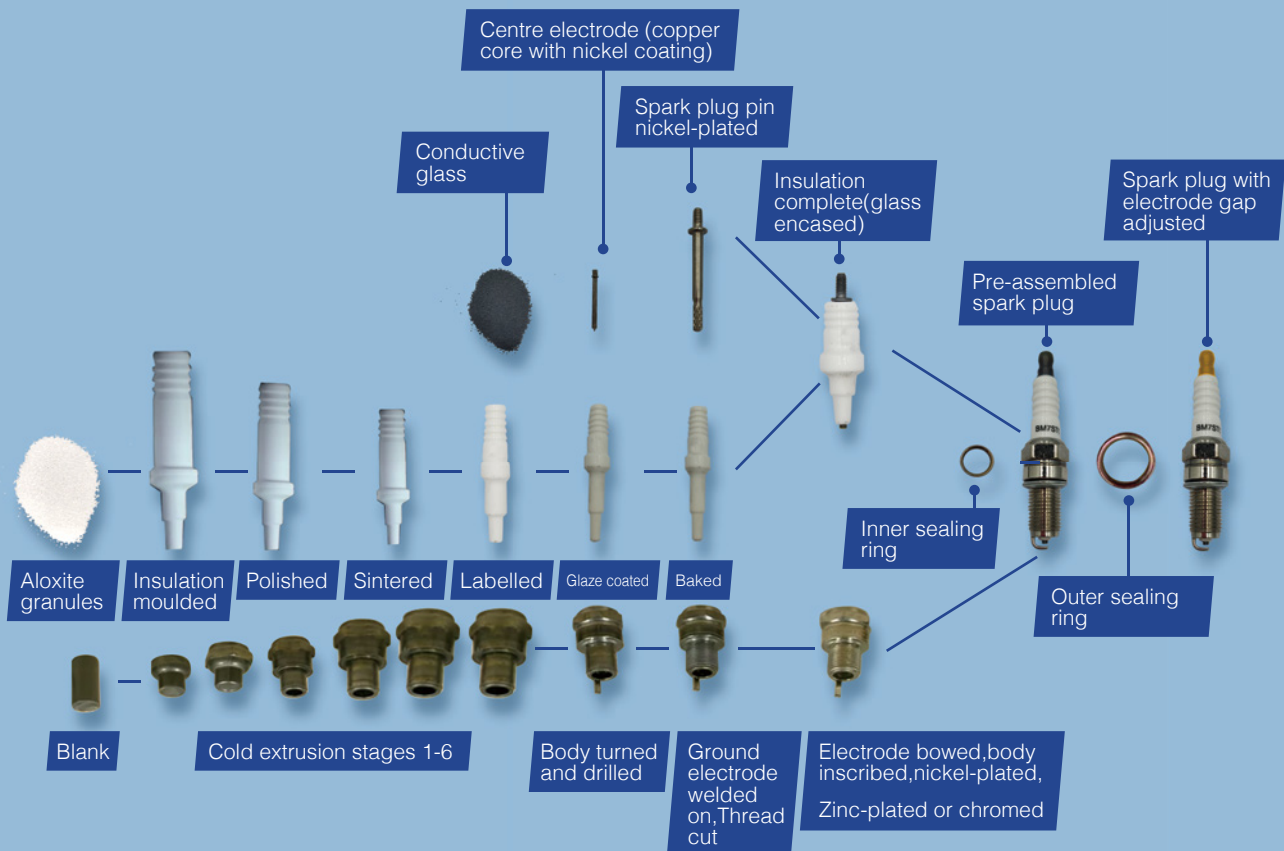


SPARK PLUG DIAGRAM





SPARK PLUG FAMILY INTRODUCTION



R&D AND MANUFACTURING FACILITIES





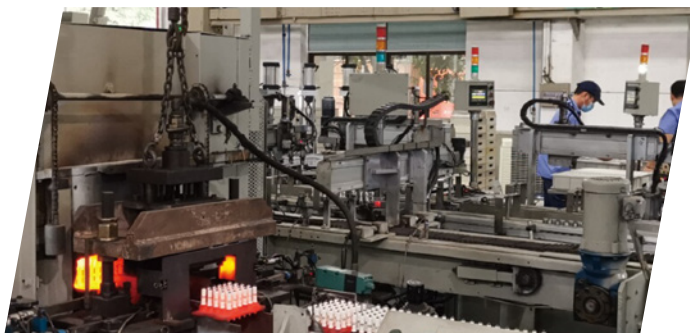
Accurate Temperature Control Firing Process



Fine Ceramic Automatic Production line by Robots

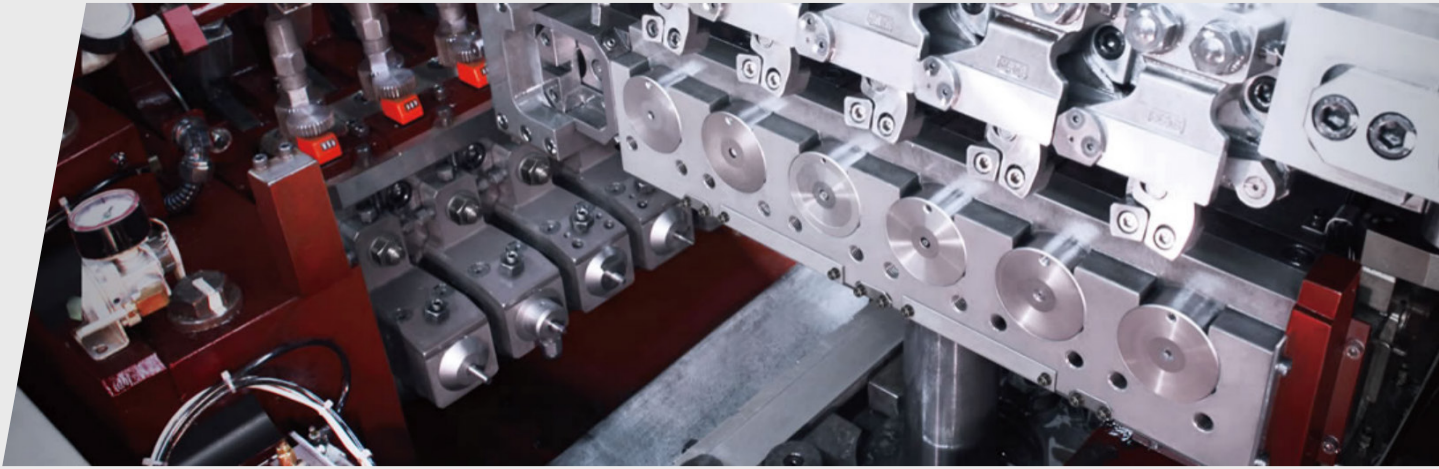


Full Automatic Assembly & Inspection Line

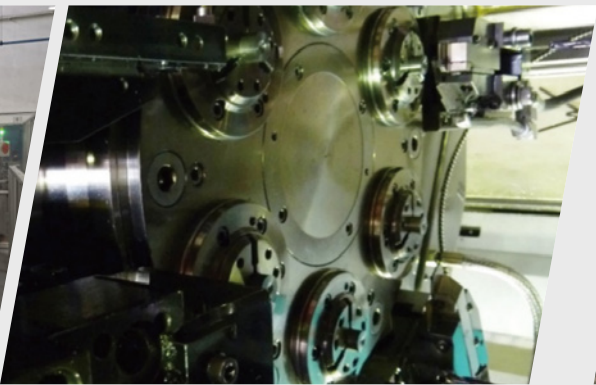


Full Automatic Insulator Assembly & Firing Line

Full Automatic Metal Housing Production Lines



Full Automatic Cold Forming



Six Spindle Automatic Machining



Automatic Welding Lines



Automatic Surface Treatment Lines



Automatic Threading Lines



R&D Instrument and Equipment

Microscope and Metallographic Analysis Instrument



Engine Test Lab



SPARK PLUG KNOWLEDGE

What is the function of spark plug?

Spark plug is a critical engine part to ignite air fuel mixture. Through ignition coil it generates high voltage for spark plug and the molecules between gap are ionized looks like arcing and lightening. This spark energy trigger ignition and combustion in the compressed air-fuel mixture.

The role of the spark plug is to reliably generate a strong spark between the electrodes accurately at the specified time to create the trigger for combustion of the gas mixture.

Sparking wear

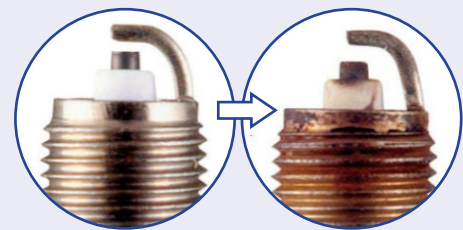


High melting point

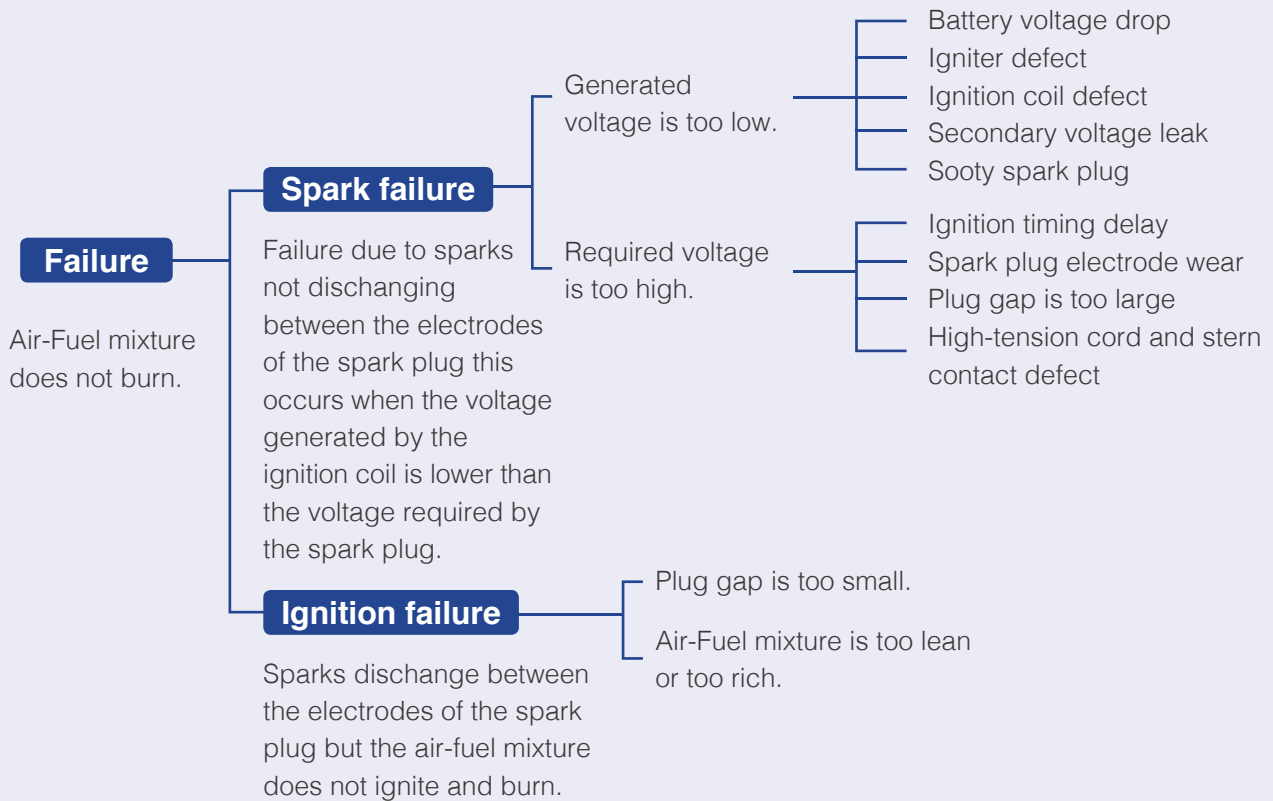
What is the life of spark plug?

Spark plug life mostly depends on the wear of electrodes. The electrode wears from the locations that discharge easily with spark discharge. In particular, since the center electrode reaches high temperatures, it oxidizes and wears.

The amount of electrode wear varies with the electrode material melting point, strength, hardness, etc. In order to reduce the amount of this wear, nickel alloys, platinum, iridium, and other such materials are used for the electrodes and service lives are also extended with fine electrodes. When the gap becomes too big to cause misfire, then it's suggested to change spark plug. Under normal running conditions, motorcycle spark plug life time arranges from 5,000KM to 30,000KM, passenger car spark plug life time arranges from 30,000KM to 100,000KM.



What are the possible causes for misfiring?

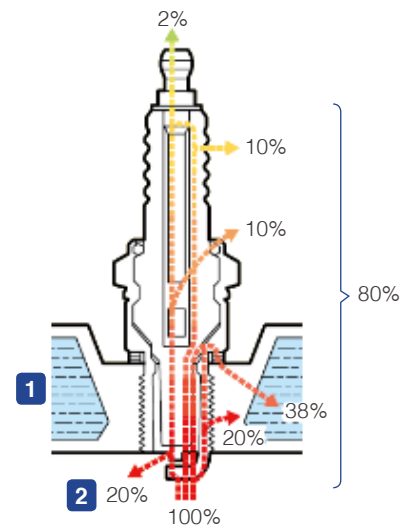


What is heat range?

The heat that the electrode section of the spark plug receives due to combustion is dispersed through the path in the figure.

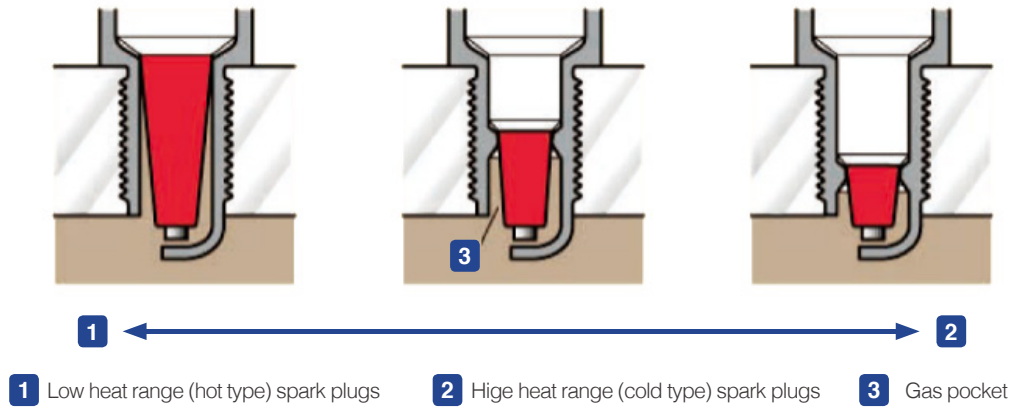
The degree to which a spark plug disperses the heat it receives is called its "heat range". Spark plugs with a high degree of heat dispersion are called high heat range (cold type) and those with a low degree of heat dispersion are called low heat range (hot type).

This is largely determined by the temperature of the gas inside the combustion chamber and the spark plug design.



1 Water

2 Cooled by intake air-fuel mixture



How to cross reference heat-range from TAKUMI to other brands?

Refer to the following table to compare the heat range of the TAKUMI and other spark plugs.

TAKUMI	5	6	7	8	9	9.5	10	11
DENSO	16	20	22	24	27	29	31	34
NGK	5	6	7	8	9	9.5	10	11
CHAMPION	12,11	10,9	8,7	6,3,6,1	59	57	55	
BOSCH	8	7,6	5	4	3		2	

This table is for reference only. In most cases heat-range subject to confirmation by engineering department.

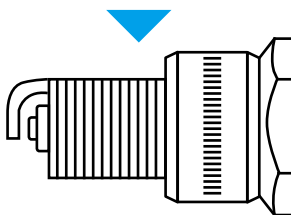
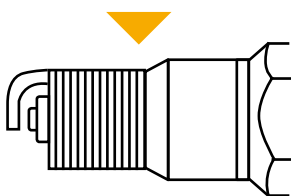
How to install spark plug correctly?

Firstly, check and make sure no contamination around plug hole, avoid to fall into combustion chamber. Secondly, plugs must be tightened to the correct torque.

Excessive torque tightening can damage the plug, insufficient torque results in poor sealing and poor heat transferring.

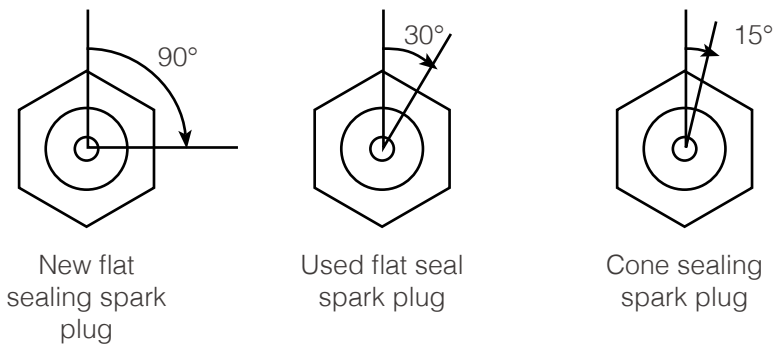
1 Installation with torque wrench:

Tightening torques in Nm, threads must not be greased

Flat sealing plugs:	Plugs thread	Cylinder head	
		Cast iron	Light alloy
	M 12X 1,25	15-25	12-20
	M 14X 1,25	20-35	15-30
	M 18X 1,5	30-45	20-35
Cone sealing plugs:			
	M 14X 1,25	15-25	12-20
	M 18X 1,5	15-30	15-25

First screw in spark plugs as far as possible by hand using spark plug fitting tool. Then, according to spark plug type, proceed as follows: Tighten new spark plugs with sealing ring a maximum of a quarter turn (approx. 90°) using a suitable spark plug wrench. Tighten used spark plugs with sealing ring to maximum 30° (as sealing ring is already compressed). Tighten plugs with cone seal only approx. 15°.

2 Installation without torque wrench:

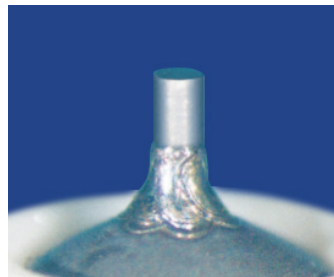


How TAKUMI weld iridium to the electrode?

Continuous 360° laser welding process to ensure a highly reliable joining.

“Continuous 360° laser welding”, which employs a high-energy laser, is used to melt and weld all around welding points.

Because all area to be welded is completely melted, the welding point is extremely reliable, thus ensuring stable and quality response without changes in the electrode, even under heavy driving conditions.



Does the engine need to be specially set when fitting TAKUMI spark plugs?

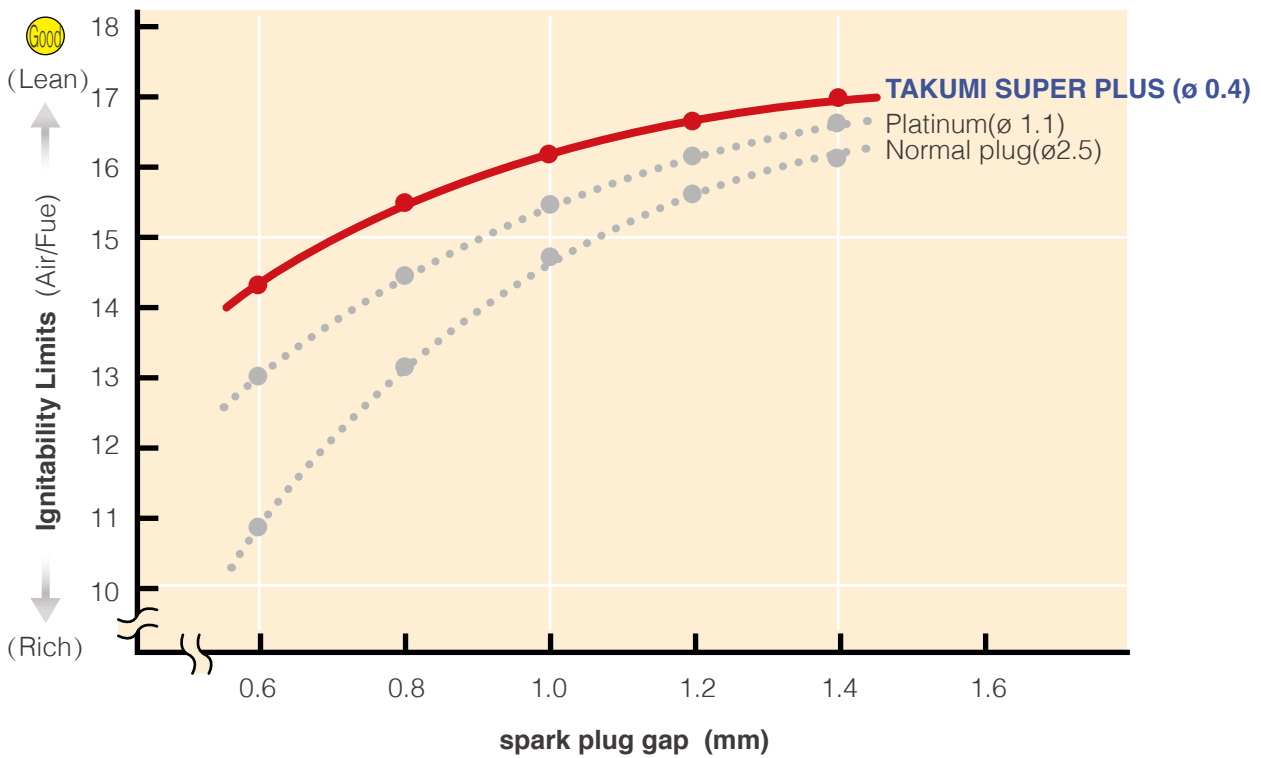
The plugs can just replace the ones you take out.

Unless vehicle or engine manual has special notes on gap setting, TAKUMI spark plug itself has a low required voltage and high ignitability and is able to draw out the power of an engine. The superb performance of TAKUMI spark plugs is obtained merely by installing them in your vehicle. And, of course, there is no need for special setting.

What is the performance of TAKUMI SUPER PLUS?



TAKUMI SUPER PLUS has unbeatable firing performance due to its fine wire iridium electrodes. Ordinarily, the leaner the air mix the more difficult the firing. The greater the ignitability limits, that is the leaner the air mix in which a plug can spark, the better firing performance a plug is said to have. The following graph shows some examples of ignitability limits (*) for various spark plug

1)Lean limits to be able to fire
 2)As this figure is getting higher, it will become easier to fire. Test engine:1600 cc,4-valve, 4-cylinder

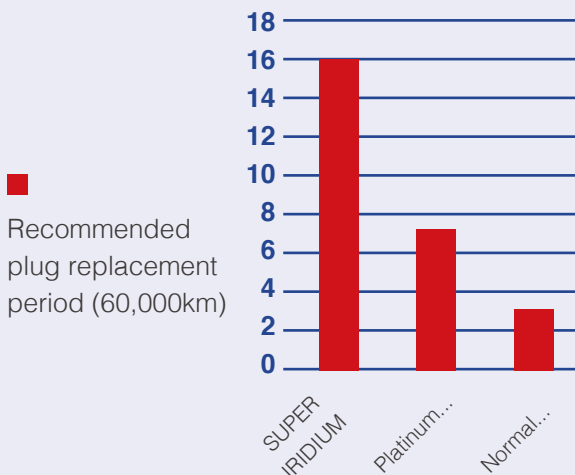


SUGGESTED PRODUCT SERIES

SUPER IRIDIUM is recommended for the following user.

 <p>For long distance and heavy-use drivers.</p>	 <p>For drivers that care about mileage.</p>
<p>Because of its long lifetime, recommended to drivers for long driving.</p>	<p>As I drive every day, so I want less fuel consumption.</p>
<p>By greatly minimizing electrode wear, TAKUMI improved mileage and extended the plug's useful life. Longevity provides you with peace of mind and safety when using SUPER IRIDIUM</p>	<p>If you use your car on a daily basis, you may be concerned about fuel consumption. SUPER IRIDIUM is one solution.</p>

High Durability



Comparison of Durability

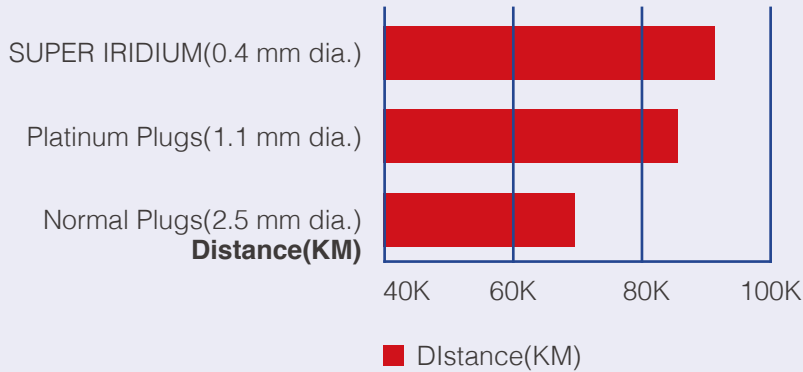
In-Company Comparison (Data for positive and negative discharging vehicle)

* From taxi monitoring test results. Displacement is mainly 2000 cc.

* Depending on the driving conditions there will be differences in endurance.

* The service lifetime of SUPER IRIDIUM will depend on operating conditions and the vehicles it is installed on. lifetime may become shorter depending on the vehicle's ignition system.)

Improved Mileage



The difference in mileage
In-Company Comparison

Vehicle: 2000cc, 6 cyl, 4 cycle
Driving Conditions: 60km/h on set ground

TAKUMI Spark Plug Series

Electrode materials to distinguish, Divided into the following several series

Series	Ignition form	Electrode material	Feature	Lifetime	advantage
Classic Copper		Center electrode: Nickel Ground electrode: Nickel	Most of the original car use this spark plug	The designed life is 5 W KM The best economic life is 3 W KM	Lower cost
Super Platinum		Center electrode: Platinum Ground electrode: Nickel	Cost-effective high performance	The designed life is 7 W KM The best economic life is 5 W KM	Start easy Accelerated fast
Super Iridium		Center electrode: Iridium Ground electrode: Nickel	Start easy. Accelerated fast. Combustion ,fuel saving	The designed life is 8 W KM The best economic life is 6 W KM	Start easy. Accelerated fast. Combustion ,fuel saving
XSuper IP		Center electrode: Iridium Ground electrode: Platinum	Start easy. Accelerated fast. Combustion ,fuel saving	The designed life is 16 W KM The best economic life is 8 W KM	Start easy. Accelerated fast. Combustion ,fuel saving Longer lifetime
XSuper II		Center electrode: Iridium Ground electrode: Iridium	The fastest accelerating	The designed life is 16 W KM The best economic life is 8 W KM	Start fast, power upgrade ,stable ignition, lowest misfire, complete combustion, fuel saving clean the exhaust Longest lifetime.

FAILURE MODEL ANALYSIS

Spark Plug TAKUMI by reading firing end



Normal

The insulator leg section has light gray or tan deposits and slight electrode erosion.



1 Carbon fouling

[Looking] The insulator foot section and electrode section are covered with dried, soft black carbon.

[Results] Poor starting, misfiring, acceleration defect.

[Cause] Repeated short-distance driving (driving with the engine cool), incorrect choking (overly rich air-fuel mixture), injection timing delay, plug heat range too high.

[Solution] Correctly adjust mixture and start device, check air filter. Install new genuine TAKUMI quality spark plugs.



2 Oil fouling

[Looking] The insulator section and electrode section is black and lustrous with wet oily deposits.

[Results] Poor starting and misfiring.

[Cause] Oil leaking due to piston ring, cylinder, or valve guide wear (occurs easily to new engines and engines that have just been overhauled), high oil content in air-fuel mixture (2-stroke engines).

[Solution] Recondition engine, correct fuel-oil mixture, install new genuine Torch quality spark plugs.



3 Extreme electrode wear

[Looking] The center and ground. electrodes are rounded and the gap has become too wide.

[Result] Poor starting and acceleration.

[Cause] Inadequate maintenance (spark plug has exceeded its service life).

[Solution] Install new genuine Torch quality spark plugs.



4 Insulator breakage

[Looking] Insulator cracked.

[Result] Shorts due to insulation defect, causes poor idling and misfiring during acceleration.

[Cause] Spark plug removed/installed incorrectly (spark plug turned too far with spark plug wrench, excess tightening torque, or other inappropriate work).

[Solution] Install new genuine Torch quality spark plugs.



5 Melted Centre electrode

[Looking] The Centre electrode is melted.

[Result] Misfiring, loss of performance (engine damage).

[Cause] Thermal overload due to pre-ignition, e.g. due to advanced ignition timing, combustion residue in combustion chamber, defective valves, defective ignition distributor, poor fuel quality, heat value possibly too low, tightening torque not observed.

[Solution] Check engine, ignition, mixture adjustment, tightening torque of spark plugs. Install new genuine Torch quality spark plugs with correct heat value.



6 Glazing

[Looking] coat with something

[Result] With too sudden full-load of engine these are liquefied and become electrically conductive .

[Cause] Supplements to petrol and engine oil create ash-type deposits.

[Solution] Accurately adjust fuel mixture, install new genuine Torch quality spark plugs.



7 Deposits

[Looking] The insulator foot section and electrode section are covered with oil..

[Result] Can lead to pre-ignition with loss of performance and to engine damage.

[Cause] Alloying constituents, particularly from oil, can build up residues which deposit in combustion chamber and on spark plugs

[Solution] Check engine adjustments. Install new genuine Torch quality spark plugs, if necessary change type of oil.



8 Housing installation screw section melting

[Looking] Thread screw section melting.

[Result] Power loss due to engine damage.

[Cause] Incorrect spark plug tightening.

[Solution] Install new genuine Torch quality spark plugs



9 Physical damage to ignition tip section

[Looking] The electrode is bent and the insulator nose section is broken. Indentations are sometimes seen on the electrode.

[Results] Misfiring

[Cause] The spark plug thread reach is too long for the engine head or there is some kind of foreign matter (a small bolt, nut, or the like) in the combustion chamber.

[Solution] Install new genuine Torch quality spark plugs.

VEHICLE APPLICATIONS

TAKUMI-Classic*: indicates classic copper core spark plugs
TAKUMI-Super*: indicates super performance single iridium or single platinum spark plugs
TAKUMI-XSuper*: indicates extra super performance double iridium or double platinum or iridium platinum spark plugs

Model	Type	Capacity	Year	Cyl	Engine	Gap	TAKUMI-Classic*	TAKUMI-Super*	TAKUMI-XSuper*
ALFA ROMEO									
145	2.0 16V T-SPARK	2000	1995->2000	4	AR67204	0.7,0.9	BK6REDY+BM7RSTC	BK6RETI+BM7RSTI	BK6RETIP+BM7RSTIP
146	2.0 16V T-SPARK	2000	1996->1999	4	AR67204	0.7,0.9	BK6REDY+BM7RSTC	BK6RETI+BM7RSTI	BK6RETIP+BM7RSTIP
147	1.6 16V T-SPARK	1600	2001->	4	AR32104	0.7,0.9	BK6REDY+BM7RSTC	BK6RETI+BM7RSTI	BK6RETIP+BM7RSTIP
147	2.0 16V T-SPARK	2000	2000->	4	AR32310	0.7,0.9	BK6REDY+BM7RSTC	BK6RETI+BM7RSTI	BK6RETIP+BM7RSTIP
147	3.2 GTA	3200	2004->2006	6	932A.000	0.8	BK6RETC	BK6RETI	BK6RETIP
155	2.0 I T-SPARK	2000	1992->1995	4	AR67202	0.8	BK6RETC	BK6RETI	BK6RETIP
155	2.0 T-SPARK	2000	1995->1998	4	AR67202	0.7,0.9	BK6REDY+BM7RSTC	BK6RETI+BM7RSTI	BK6RETIP+BM7RSTIP
155	2.5 V6	2500	1996->1998	6	AR67301	0.8	B7RETC	B7RETI	B7RETIP
156	2.0 16V T- SPARK	2000	1998->2000	4	AR32301	0.7,0.9	BK6REDY+BM7RSTC	BK6RETI+BM7RSTI	BK6RETIP+BM7RSTIP
156	2.5 V6 24V	2500	2000->2006	6	AR32401	0.8	BK6RETC	BK6RETI	BK6RETIP
156	3.2 GTA,SPORTWAGON	3200	2003->2006	6	932A.000	0.8	BK6RETC	BK6RETI	BK6RETIP
159	1750 TBI	1800	2009->2011	4	939B.1000	0.6	LDK7RTC	LDK7RTI	LDK7RTIP
159	1.8 TBI	1800	2009->2011	4	939B.1000	0.8	LDK7RTC	LDK7RTI	LDK7RTIP
159	1.9 JTS 16V	1900	2006->2011	4	939A.6000	0.8	BK5RETC	BK5RETI	BK5RETIP
159	2.2 JTS 16V	2200	2006->2011	4	939A.5000	0.8	BK5RETC	BK5RETI	BK5RETIP
159	3.2 JTS 24V	3200	2006->2013	6	939A.000	1.3	BT5REFTC	BT5REFTI	BT5REFTIP
164	2.0 T-SPARK	2000	1987->1992	4	AR06416	0.8	BK6REJC	BK6RETI	BK6RETIP
164	3.0 12V V6	3000	1993->1999	6	AR66301	0.8	BK6RETC	BK6RETI	BK6RETIP
164	3.0 QUADRIFOGLIO V6	3000	1993->1998	6	AR64304	0.8	BK6REJC	BK6RETI	BK6RETIP
166	2.0 16V T-SPARK	2000	1998->2006	4	AR34103	0.7,0.9	BK6REDY+BM7RSTC	BK6RETI+BM7RSTI	BK6RETIP+BM7RSTIP
166	3.0 V6 24V SPORTRONIC	3000	1999->2006	6	AR34301	0.8	BK6RETC	BK6RETI	BK6RETIP
166	3.2 TI PROGRESSION	3200	2004->2007	6	932A.000	0.8	BK6RETC	BK6RETI	BK6RETIP
33	1.5 WAGON	1500	1984->1993	4	AR30734/51	0.8	B7RETC	B7RETI	B7RETIP
33	1.7 16V SPORT WAGON	1700	1993->1994	4	AR30746	0.8	BK6REJC	BK6RETI	BK6RETIP
4C	1.8 TBI	1800	2013->	4	960A1000	0.6	LDK7RTC	LDK7RTI	LDK7RTIP
ALFASUD	1.3 TI	1300	1980-1984->	4	AR30168	0.8	B6ETC	B6ETI	B6ETIP
ALFASUD	1.5 TI,SPRINT	1500	1978->1982	4	AR30128	0.8	B6ETC	B6ETI	B6ETIP
ALFETTA	1.8 GTV	1800	1973->1980	4	AR01678	0.8	B7EC	B7EI	B7EIP
ALFETTA	2.0 GTV	2000	1976->1985	4	AR01655	0.8	B7EC	B7EI	B7EIP
ALFETTA	2.0 GTV	2000	1972->1985	4	AR01713	0.8	B7EC	B7EI	B7EIP
BRERA	1.8 TBI	1800	2009->2011	4	939B.1000	0.6	LDK7RTC	LDK7RTI	LDK7RTIP
BRERA	2.2 JTS	2200	2006->2011	4	939A.5000	0.8	BK5RETC	BK5RETI	BK5RETIP
BRERA	3.2 JTS	3200	2007->2013	6	939A.000	1.3	BT5REFTC	BT5REFTI	BT5REFTIP
EXPORT	1.5 GL	1500	1980->1985	4	301.24	0.8	B7EC	B7EI	B7EIP
EXPORT	1.5 VELOCE	1500	1980->1985	4	301.24	0.8	B7EC	B7EI	B7EIP
GIULIA	2.9 I QUADRIFOGLIO	2900	2015->	6	670050436	0.7	LDA8RDY	LDA8RI	LDA8RIP
GIULIETTA	1750 QUADRIFOGLIO	1800	2010->	4	940A1000	0.6	LDK7RTC	LDK7RTI	LDK7RTIP
GIULIETTA	1.4 T MULTI AIR	1400	2010->	4	940A2000	0.8	DC9REC	DC9REI	DC9REIP
GIULIETTA	1.4 TURBO	1400	2010->	4	198A4000	0.8	DC9REC	DC9REI	DC9REIP
GIULIETTA	1.8 TURBO	1800	1979->1985	4	AR01678	0.8	B7EC	B7EI	B7EIP
GIULIETTA	2.0 TI	2000	1982->1985	4	AR01699	0.8	B7EC	B7EI	B7EIP
GT	3.2 V6 24V	3200	2003->2004	6	936A.6000	0.8	BK6RETC	BK6RETI	BK6RETIP
GTV	2.0 TS 16V	2000	1996->1999	4	AR16201	0.7,0.9	BK6REDY+BM7RSTC	BK6RETI+BM7RSTI	BK6RETIP+BM7RSTIP
GTV	3.0 V6 24 V	3000	1997->2001	6	AR16102	0.8	BK6RETC	BK6RETI	BK6RETIP
GTV	3.2 V6 24V	3200	2004->	6	936A.6000	0.8	BK6RETC	BK6RETI	BK6RETIP
GTV 6	2.5 GTV	2500	1982->1985	6	AR01646	0.8	B7EC	B7EI	B7EIP
GTV 6	3.0 GTV	3000	1983->1985	6		0.8	B7EC	B7EI	B7EIP
MITO	0.9 T	900	2011->	2	312A.2000	0.8	LDK9RTC	LDK9RTI	LDK9RTIP
MITO	0.9 T	900	2013->	2	199B.6000	0.8	LDK9RTC	LDK9RTI	LDK9RTIP
MITO	1.4 I	1400	2008->	4	955A.1000	1.0	DC7REAC	DC7REAI	DC7REAIIP
MITO	1.4 TB	1400	2009->	4	940A.2000	0.8	DC9REC	DC9REI	DC9REIP
MITO	1.4 TB	1400	2009->	4	955A.2000	0.8	DC9REC	DC9REI	DC9REIP
MITO	1.4 TBI	1400	2009->	4	955A.2000	0.8	DC9REC	DC9REI	DC9REIP
MITO	1.4 TURBO	1400	2008->	4	199A.8000	0.8	DC9REC	DC9REI	DC9REIP
PANEL VAN	1.5 LCV	1500	1989->1992	4		0.8	B7RETC	B7RETI	B7RETIP
SPIDER	1.8 TBI	1800	2009->	4	939B.1000	0.6	LDK7RTC	LDK7RTI	LDK7RTIP
SPIDER	2.0 16V T-SPARK	2000	1996->1999	4	AR16201	0.7,0.9	BK6REDY+BM7RSTC	BK6RETI+BM7RSTI	BK6RETIP+BM7RSTIP
SPIDER	2.0 FI,QUADRIFOGLIO	2000	1971->1989	4	AR00515	0.8	B7EC	B7EI	B7EIP
SPIDER	2.0 JTS 16V	2000	2004->	4	937A.1000	0.9	BK6REDY	BK6RETI	BK6RETIP
SPIDER	2.2 JTS	2200	2006->	4	939A.5000	0.8	BK5RETC	BK5RETI	BK5RETIP
SPIDER	3.0 V6 24V	3000	1998->2004	6	AR16102	0.8	BK6RETC	BK6RETI	BK6RETIP
SPIDER	3.2 JTS	3200	2004->	6	936A.6000	0.8	BK6RETC	BK6RETI	BK6RETIP
SPRINT	1.3 L	1300	1990->	4	AR301.68	0.8	B6ETC	B6ETI	B6ETIP
SPRINT	1.5 VELOCE	1500	1980->1985	4	AR301.28	0.8	B7EC	B7EI	B7EIP

A
B
C
D
E
F
G
H
I
J
K
L
M
N
O
P
Q
R
S
T
U
V
W
X
Y
Z

VEHICLE MODEL MATCHING TABLE

Model	Type	Capacity	Year	Cyl	Engine	Gap	TAKUMI-Classic*	TAKUMI-Super*	TAKUMI-XSuper*
AUDI									
100	1.6 LS	1600	1977->1984	4	YV	0.8	B6RETC	B6RETI	B6RETIP
100	1.8 L	1800	1970->1976	4	ZZ	0.8	B6ETC	B6ETI	B6ETIP
100	1.9 CARB.	1900	1982->1983	5	WB,WH	0.8	B6RETC	B6RETI	B6RETIP
100	2.2 GLS 5E F. INJ.	2200	1984->1986	5	WC	0.8	B6RETC	B6RETI	B6RETIP
200	2.2 GLX 5E F.INJ.	2200	1978->1983	5	WC	0.8	B6RETC	B6RETI	B6RETIP
400	1.8 CARB.	1800	1987->1991	4	JW	0.8	B7RETC	B7RETI	B7RETIP
500	2.2 E,SE F.INJ.	2200	1977->1984	5	WC,PR	0.8	B7RETC	B7RETI	B7RETIP
500	2.2 TURBO	2200	1989->1992	5	AAN	1.0	BK6REJC	BK6RETI	BK6RETIP
500	2.3 E,SE	2300	1991->1995	5	AAR	0.8	B6RETC	B6RETI	B6RETIP
500	2.3 TURBO	2300	1990->1995	5	MC	0.8	B6ETQC	B6ETI	B6ETIP
500	2.6 AVANT	2600	1994->1995	5	ABC	1.0	BK6REJC	BK6RETI	BK6RETIP
500	2.8 SE,SEL	2800	1994->1996	6	AAH	1.0	BK6REJC	BK6RETI	BK6RETIP
80	1.5	1500	1972->1974	4	ZB	0.8	B6ETC	B6ETI	B6ETIP
80	1.6 GL,GLS	1600	1976->1981	4	ZF,YP,WY	0.8	B6RETC	B6RETI	B6RETIP
90 SUPER	1.8 GL	1800	1966->1972	4	ZZ	0.8	B8EC	B8EI	B8EIP
A1	1.0 TFSI	1000	2015->	3	CHZB	0.8	DC7RETCA	DC7RETIA	DC7RETIPA
A1	1.0 TFSI S	1000	2015->	3	CHZC	0.8	DC7RETCA	DC7RETIA	DC7RETIPA
A1	1.2 TFSI	1200	2010->	4	CBZA	0.7	BK6REAC	BK6REAI	BK6REAIIP
A1	1.4 TFSI	1400	2010->	4	CAXA	0.8	BK6REAC	BK6REAI	BK6REAIIP
A1	1.4 TFSI	1400	2015->	4	CZCA	0.8	DC7RETCA	DC7RETIA	DC7RETIPA
A1	1.4 TFSI S-LINE	1400	2010->	4	CAVG	0.8	BK6REAC	BK6REAI	BK6REAIIP
A1	1.4 TSI	1400	2012->	4	CXS	0.8	DC7RETCA	DC7RETIA	DC7RETIPA
A3	1.4 TFSI	1400	2013->	4	CXSB	0.8	DC7RETCA	DC7RETIA	DC7RETIPA
A3	1.4 TFSI	1400	2013->	4	CZCA	0.8	DC7RETCA	DC7RETIA	DC7RETIPA
A3	1.4 TSI	1400	2012->	4	CXSA	0.8	DC7RETCA	DC7RETIA	DC7RETIPA
A3	1.6 I	1600	2002->2003	4	BFQ	1.0	BK6REJC	BK6RETI	BK6RETIP
A3	1.6 I	1600	2008->2010	4	CCSA	1.0	BK6REJC	BK6RETI	BK6RETIP
A3	2.0 TFSI	2000	2005->2012	4	BWA	0.8	BK7RETC	BK7RETI	BK7RETIP
A3	3.2 I	3200	2004->2008	6	BDB, BMJ, BUB	0.8	BK6REAC	BK6REAI	BK6REAIIP
A3	3.2 QUATTRO	3200	2007->2008	6	BUB	0.8	BK6REAC	BK6REAI	BK6REAIIP
A4	1.4 TFSI	1400	2008->	4	CDH	0.8	BK7RETC	BK7RETI	BK7RETIP
A4	1.6 I	1600	2000->2008	4	ALZ	1.0	BK6REJC	BK6RETI	BK6RETIP
A4	1.8 E 20V ESTATE, TURBO	1800	1995->2001	4	ADR, AGU, AEB	0.8	BK6REJC	BK6RETI	BK6RETIP
A4	1.8 I	1800	1999->2001	4	APT	1.0	BK6REJC	BK6RETI	BK6RETIP
A4	1.8 I	1800	2002->2004	4	BEX	0.8	BK6RETC	BK6RETI	BK6RETIP
A4	1.8 T	1800	2002->2006	4	BFB	0.8	BK6RETC	BK6RETI	BK6RETIP
A4	1.8 TFSI	1800	2007->2009	4	CABB	0.8	BK7RETC	BK7RETI	BK7RETIP
A4	1.8 TFSI	1800	2008->	4	CDHA	0.8	BK7RETC	BK7RETI	BK7RETIP
A4	1.8 TFSI	1800	2008->	4	CDHB	0.8	BK7RETC	BK7RETI	BK7RETIP
A4	1.8 TFSI	1800	2008->2008	4	CABA	0.8	BK7RETC	BK7RETI	BK7RETIP
A4	1.8 TS	1800	2011->	4	CJEB	0.8	LBK7RETCA	LBK7RETIA	LBK7RETIPA
A4	1.8 TURBO	1800	1996->1998	4	AEB	0.8	BK6RETC	BK6RETI	BK6RETIP
A4	1.8 TURBO	1800	1998->2001	4	APU	0.8	BK6RETC	BK6RETI	BK6RETIP
A4	1.8 TURBO	1800	2000->2002	4	AVJ	0.8	BK6RETC	BK6RETI	BK6RETIP
A4	1.8 TURBO	1800	2001->2004	4	AQC	0.8	BK6RETC	BK6RETI	BK6RETIP
A4	1.8 TURBO	1800	2002->2004	4	BFB	0.8	BK6RETC	BK6RETI	BK6RETIP
A4	2.0 EXEC	2000	2000->2004	4	ALT	1.0	BK5RETC	BK5RETI	BK5RETIP
A4	2.0 EXEC	2000	2001->2005	4	ALT	1.0	BK5RETC	BK5RETI	BK5RETIP
A4	2.0 T FSI	2000	2005->2008	4	BUL, BWE, BGB	0.8	BK7RETC	BK7RETI	BK7RETIP
A4	2.0 TFSI	2000	2004->2005	4	BGB	0.8	BK6RETC	BK6RETI	BK6RETIP
A4	2.0 TFSI	2000	2008->	4	CDNB	0.8	BK7RETC	BK7RETI	BK7RETIP
A4	2.0 TFSI	2000	2009->	4	CDNC	0.8	BK7RETC	BK7RETI	BK7RETIP
A4	2.0 TFSI	2000	2013->	4	CDNC	0.8	LBK7RETCA	LBK7RETIA	LBK7RETIPA
A4	2.0 TFSI	2000	2013->	4	CNCD	0.8	LBK7RETCA	LBK7RETIA	LBK7RETIPA
A4	2.0 TFSI	2000	2015->	4	CYRB, CYMC		LBK7RETCA	LBK7RETIA	LBK7RETIPA
A4	2.4 I	2400	2001->2004	6	APS	0.8	BK6REDY	BK6RETI	BK6RETIP
A4	2.4 V6 AVANT	2400	1998->2001	6	AGA, AMM, BDV	0.8	BK6REDY	BK6RETI	BK6RETIP
A4	2.6 AVANT	2600	1996->1998	6	ABC	1.0	BK6REJC	BK6RETI	BK6RETIP
A4	2.8 V6 30V AVANT	2800	1997->2001	6	ACK	0.8	BK6REDY	BK6RETI	BK6RETIP
A4	2.8 I	2800	1999->2001	6	ATX		BK6REDY	BK6RETI	BK6RETIP
A4	2.8 SPORT, AVANT, QUATTRO, TIPTRONIC	2800	1995->2001	6	AAH	1.0	BK6REJC	BK6RETI	BK6RETIP
A4	3.0 QUATTRO	3000	2001->2005	6	ASN	0.8	BK6REDY	BK6RETI	BK6RETIP
A4	3.0 T QUATTRO	3000	2011->	6	CMUA	0.8	BK8RETC	BK8RETI	BK8RETIP
A5	2.0 TFSI	2000	2009->	4	CAEA/CDNC/CAEB	0.8	BK7RETC	BK7RETI	BK7RETIP
A5	2.0 TFSI	2000	2013->	4	CDNC	0.8	LBK7RETCA	LBK7RETIA	LBK7RETIPA
A5	2.0 TFSI	2000	2013->	4	CNCD	0.8	LBK7RETCA	LBK7RETIA	LBK7RETIPA
A5	2.0 TURBO	2000	2008->	4	CDNC, CAEB	0.8	BK7RETC	BK7RETI	BK7RETIP
A5	3.0 TFSI	3000	2011->	6	CMUA	0.8	BK8RETC	BK8RETI	BK8RETIP
A5	3.0 TFSI S5	3000	2012->	6	CAKA	1.1	BK6RETC	BK6RETI	BK6RETIP
A5	3.0 TFSI S5	3000	2012->	6	CCBA	1.1	BK6RETC	BK6RETI	BK6RETIP
A5	3.2 FSI	3200	2007->	6	CALA	1.1	BK6RETC	BK6RETI	BK6RETIP

A
B
C
D
E
F
G
H
I
J
K
L
M
N
O
P
Q
R
S
T
U
V
W
X
Y
Z
VEHICLE MODEL MATCHING TABLE

Model	Type	Capacity	Year	Cyl	Engine	Gap	TAKUMI-Classic*	TAKUMI-Super*	TAKUMI-XSuper*
A6	1.8 TFSI	1800	2015->	4	CYGA	0.8	LBK7RETCA	LBK7RETIA	LBK7RETIPA
A6	2.0 I	2000	1994->1996	4	ACE	0.8	BK7REJC	BK7RETI	BK7RETIP
A6	2.0 TFSI	2000	2005->	4	BPJ	0.8	BK7RETC	BK7RETI	BK7RETIP
A6	2.0 TFSI	2000	2011->	4	CAEB	0.8	BK7RETC	BK7RETI	BK7RETIP
A6	2.0 TFSI	2000	2011->	4	CDNB	0.8	BK7RETC	BK7RETI	BK7RETIP
A6	2.3 S6	2200	1996->	4	AAN	0.8	BK7RETC	BK7RETI	BK7RETIP
A6	2.4 V6	2400	1999->2001	6	APS	0.8	BK6REDY	BK6RETI	BK6RETIP
A6	2.4 V6	2400	2001->2005	6	BDV	0.8	BK6REDY	BK6RETI	BK6RETIP
A6	2.4 V6	2400	2004->	6	BDW	1.1	BK6RETC	BK6RETI	BK6RETIP
A6	2.4 V6 TIP, MULTI-TRONIC	2400	1997->1999	6	AGA	0.8	BK6REDY	BK6RETI	BK6RETIP
A6	2.6 V6 AVANT	2600	1994->1996	6	ABC	1.0	BK6REJC	BK6RETI	BK6RETIP
A6	2.7 BI-TURBO	2700	2000->2002	6	ARE	0.8	BK6RETC	BK6RETI	BK6RETIP
A6	2.7 T QUATTRO, BI TURBO	2700	1999->2000	6	AJK, AZA	0.8	BK6RETC	BK6RETI	BK6RETIP
A6	3.0 TFSI	3000	2008->	6	CAJ	0.8	BK8RETC	BK8RETI	BK8RETIP
A6	3.0 TFSI	3000	2011->	6	CGWB	0.8	BK8RETC	BK8RETI	BK8RETIP
A6	3.0 TFSI	3000	2011->	6	CGXB	0.8	BK8RETC	BK8RETI	BK8RETIP
A6	3.2 V6	3200	2004->	6	AUK	0.8	BK7RETC	BK7RETI	BK7RETIP
A6	3.2 V6	3200	2008->	6	BKH	1.1	BK6RETC	BK6RETI	BK6RETIP
A6	3.2 V6	3200	2009->	6	CALA	1.1	BK6RETC	BK6RETI	BK6RETIP
A6	4.2 FSI	4200	1999->2001	8	ARS	0.8	BK6REQC	BK6RETI	BK6RETIP
A6	4.2 FSI	4200	2000->2005	8	ANK	0.8	BK6REQC	BK6RETI	BK6RETIP
A6	4.2 FSI	4200	2000->2005	8	ASG	0.8	BK6REQC	BK6RETI	BK6RETIP
A6	4.2 FSI	4200	2004->2006	8	BAT	0.8	BK6REQC	BK6RETI	BK6RETIP
A6	4.2 FSI	4200	2006->	8	BVJ	0.8	BK6RETC	BK6RETI	BK6RETIP
A6	4.2 QUATTRO	4200	2003->2005	8	BAS	0.8	BK6REQC	BK6RETI	BK6RETIP
A6	4.2 S6	4200	2002->2004	8	BCY	0.8	BK7RETC	BK7RETI	BK7RETIP
A6	5.2 FSI	5200	2006->	10	BXA	0.8	BK6RETC	BK6RETI	BK6RETIP
A7	3.0 TFSI	3000	2010->	6	CGWB	0.8	BK8RETC	BK8RETI	BK8RETIP
A7	3.0 TFSI	3000	2011->	6	CGXB	0.8	BK8RETC	BK8RETI	BK8RETIP
A7	3.0 TFSI	3000	2014->	6	CREC	0.8	BK8RETC	BK8RETI	BK8RETIP
A8	2.8 V6	2800	2007->	6	BDX	1.1	BK6RETC	BK6RETI	BK6RETIP
A8	3.0 TFSI	3000	2011->	6	CGXC	0.8	BK8RETC	BK8RETI	BK8RETIP
A8	3.0 TFSI	3000	2010->	6	CGWA/CGXA/CMDA/CGXC	0.8	BK8RETC	BK8RETI	BK8RETIP
A8	3.0 V6	3000	2004->	6	ASN/BBJ	0.8	BK6REDY	BK6RETI	BK6RETIP
A8	3.2 V6	3200	2005->	6	BPK	0.8	BK7RETC	BK7RETI	BK7RETIP
A8	3.7 V8	3700	1997->1998	8	AEW	0.8	BT6REFC	BT6REFI	BT6REFIP
A8	3.7 V8	3700	2002->2006	8	BFL	0.8	BK6REQC	BK6RETI	BK6RETIP
A8	4.2 FSI	4200	2000->2002	8	AUW	0.8	BK6REQC	BK6RETI	BK6RETIP
A8	4.2 FSI	4200	1998->2001	8	AQF	0.8	BK6REQC	BK6RETI	BK6RETIP
A8	4.2 FSI	4200	2009->	8	CDRA	0.8	BK6RETC	BK6RETI	BK6RETIP
A8	4.2 I	4200	1994->1999	8	ABZ	0.8	BT6REFC	BT6REFI	BT6REFIP
A8	4.2 I	4200	1999->2000	8	ARU	0.8	BK6REQC	BK6RETI	BK6RETIP
A8	4.2 SI	4200	2002->2006	8	BFM	0.8	BK6REQC	BK6RETI	BK6RETIP
A8	4.2 SI	4200	2006->	8	BVJ	0.8	BK6RETC	BK6RETI	BK6RETIP
A8	5.2 FSI	5200	2006->	10	BSM	0.8	BK6RETC	BK6RETI	BK6RETIP
A8	6.0 FSI	6000	2004->	12	BHT	1.1	BK6REAC	BK6REAI	BK6REAI
A8	6.3 W12 QUATTRO	6300	2011->	12	CEJA	0.8	LDK8RTC	LDK8RTI	LDK8RTIP
CABRIO	1.8 I	1800	1997->2000	4	ADR	0.8	BK6REJC	BK6RETI	BK6RETIP
CABRIO	2.0 E	2000	1993->1998	4	ABK	0.8	B6RETC	B6RETI	B6RETIP
CABRIO	2.3 E	2300	1991->1994	4	NG	0.8	BK5REYD	BK5REI	BK5REIP
CABRIO	2.6 EXEC	2600	1994->2000	6	ABC	1	BK6REJC	BK6RETI	BK6RETIP
CABRIO	2.8 E COUPE	2800	1992->2000	6	AAH	1	BK6REJC	BK6RETI	BK6RETIP
Q2	1.0 TFSI	1000	2016->	3	CHZA	0.8	DC7RETCA	DC7RETIA	DC7RETIPA
Q2	1.4 TFSI	1400	2013->	4	CHPB, CZDA, CZEA	0.8	DC7RETCA	DC7RETIA	DC7RETIPA
Q3	1.4 TFSI	1400	2013->	4	CHPB	0.8	DC7RETCA	DC7RETIA	DC7RETIPA
Q3	1.4 TFSI	1400	2013->	4	CZDA	0.8	DC7RETCA	DC7RETIA	DC7RETIPA
Q3	1.4 TFSI	1400	2013->	4	CZEA	0.8	DC7RETCA	DC7RETIA	DC7RETIPA
Q3	2.0 TFSI	2000	2011->	4	CCZC	0.8	BK7RETC	BK7RETI	BK7RETIP
Q3	2.0 TFSI	2000	2011->	4	CPSA	0.8	BK7RETC	BK7RETI	BK7RETIP
Q3	2.5 RS QUATTRO	2500	2014->	5	CZGA	0.7	LBK8RETCA	LBK8RETIA	LBK8RETIPA
Q5	3.2 FSI	3200	2008->	6	CALB	1.1	BK6RETC	BK6RETI	BK6RETIP
Q7	2.0 T QUATTRO	2000	2015->	4	CYRB	0.8	LBK7RETCA	LBK7RETIA	LBK7RETIPA
Q7	3.0 TFSI	3000	2010->	6	CJTB	0.8	BK8RETC	BK8RETI	BK8RETIP
Q7	3.0 TFSI	3000	2010->	6	CJTC	0.8	BK8RETC	BK8RETI	BK8RETIP
Q7	3.0 TFSI	3000	2010->	6	CJWB	0.8	BK8RETC	BK8RETI	BK8RETIP
Q7	3.0 TFSI	3000	2010->	6	CJWC	0.8	BK8RETC	BK8RETI	BK8RETIP
Q7	3.0 TFSI	3000	2010->	6	CNAA	0.8	BK8RETC	BK8RETI	BK8RETIP
Q7	3.6 FSI	3600	2006->	6	BHK	0.8	LDK7RTC	LDK7RTI	LDK7RTIP
Q7	3.6 QUATTRO	3600	2006->	6	BHK	0.8	LDK7RTC	LDK7RTI	LDK7RTIP
Q7	4.2 QUATTRO	4200	2006->	8	BAR	0.8	BK6RETC	BK6RETI	BK6RETIP
QUATTRO	2.2 20V	2200	1981->1988	5	WR	0.8	BK7RETC	BK7RETI	BK7RETIP
QUATTRO	2.2 20V	2200	1990->1992	5	3B	0.8	BK7RETC	BK7RETI	BK7RETIP
QUATTRO	2.2 20V S4 TURBO	2200	2001->	5	AAN	0.8	BK7RETC	BK7RETI	BK7RETIP

Model	Type	Capacity	Year	Cyl	Engine	Gap	TAKUMI-Classic*	TAKUMI-Super*	TAKUMI-XSuper*
R8	4.2 FSI	4200	2007->	8	BYH	0.8	BK7RETC	BK7RETI	BK7RETIP
R8	5.2 FSI	5200	2009->2010	10	BUJ	0.8	BK7RETC	BK7RETI	BK7RETIP
R8	5.2 FSI	5200	2010->	10	BUJ	0.8	BK7RETC	BK7RETI	BK7RETIP
R8	5.2 GT	5200	2010->	10	CMPA	0.8	BK7RETC	BK7RETI	BK7RETIP
RS2	2.2 AVANT	2200	1994->1995	5	ADU	0.8	BK7RETC	BK7RETI	BK7RETIP
RS3	2.5 RS	2500	2017->	5	DAZA	0.7	LBK8RETCA	LBK8RETIA	LBK8RETIPA
RS4	2.7 BI TURBO	2700	2000->	6	ASJ	0.8	BK7RETC	BK7RETI	BK7RETIP
RS4	2.7 FSI	2700	2000->2001	6	AZR	0.8	BK7RETC	BK7RETI	BK7RETIP
RS4	4.2 FSI RS4	4200	2007->	8	BNS	0.8	BK7RETC	BK7RETI	BK7RETIP
RS5	4.2 FSI	4200	2007->	6	CAUA	0.8	BK7RETC	BK7RETI	BK7RETIP
RS5	4.2 FSI	4200	2010->	8	CFSA	0.8	BK7RETC	BK7RETI	BK7RETIP
RS6	4.0 TFSI	4000	2015->	8		0.2	LBK8RETCA	LBK8RETIA	LBK8RETIPA
RS6	4.2 QUATTRO	4200	2003->2004	8	BCY	0.8	BK7RETC	BK7RETI	BK7RETIP
RS7	4.0 QUATTRO	4000	2013->	8	CRD	0.7	LBK8RETCA	LBK8RETIA	LBK8RETIPA
S1	2.0 T QUATTRO	2000	2014->	4	CDLH	0.8	BK7RETC	BK7RETI	BK7RETIP
S1	2.0 TFSI	2000	2014->	4	CWZA	0.8	LBK7RETCA	LBK7RETIA	LBK7RETIPA
S2	2.2 COUPE	2200	1991->1995	5	ABY	0.8	BK7RETC	BK7RETI	BK7RETIP
S3	1.8 TURBO	1800	1999->2001	4	AMK,AUL	0.8	BK6RETC	BK6RETI	BK6RETIP
S3	1.8 TURBO	1800	1999->2001	4	APY	0.8	BK6RETC	BK6RETI	BK6RETIP
S3	1.8 TURBO	1800	2002->2004	4	BAM	0.8	BK6RETC	BK6RETI	BK6RETIP
S3	2.0 FSI	2000	2008->	4	CDLA	0.8	BK7RETC	BK7RETI	BK7RETIP
S3	2.0 TFSI	2000	2013->	4	CJXB	0.8	LBK7RETCA	LBK7RETIA	LBK7RETIPA
S3	2.0 TURBO	2000	2007->2007	4	BZC	0.8	BK7RETC	BK7RETI	BK7RETIP
S3	2.0 TURBO	2000	2008->	4	CDLC	0.8	BK7RETC	BK7RETI	BK7RETIP
S4	2.2 T 20V	2200	1992->1995	5	AAN	0.8	BK7RETC	BK7RETI	BK7RETIP
S4	2.7 BI TURBO	2700	2003->	6	AGB,APB,AJK	0.8	BK6RETC	BK6RETI	BK6RETIP
S4	3.0 QUATTRO	3000	2009->2012	6	CAKA	0.8	BK8RETC	BK8RETI	BK8RETIP
S4	3.0 TFSI	3000	2009->2012	6	CCBA/CAKA	0.8	BK8RETC	BK8RETI	BK8RETIP
S4	4.2 AVANT ,QUATTRO	4200	2004->	8	BBK	0.8	BK6REQC	BK6RETI	BK6RETIP
S4	4.2 FI	4200	2009->	6	BHF	0.8	BK6RETC	BK6RETI	BK6RETIP
S5	3.0 FSI	3000	2009->	6	CCBA	1.1	BK6RETC	BK6RETI	BK6RETIP
S5	3.0 TFSI	3000	2011->	6	CMJA	0.8	BK8RETC	BK8RETI	BK8RETIP
S5	4.2 FSI	4200	2007->	8	CAUA	0.8	BK6RETC	BK6RETI	BK6RETIP
S6	2.2 20V	2200	2001->	5	AAN	0.8	BK7RETC	BK7RETI	BK7RETIP
S6	4.0 S TRONIC	4000	2012->	8	CEUC	0.7	LBK8RETCA	LBK8RETIA	LBK8RETIPA
S6	4.2 FSI	4200	1994->1997	8	AEC	0.8	BT6REFC	BT6REFI	BT6REFIP
S6	4.2 QUATTRO	4200	2001->2004	8	AQJ	0.8	BK6REQC	BK6RETI	BK6RETIP
S6	5.2 FSI	5200	2006->	10	BXA	0.8	BK6RETC	BK6RETI	BK6RETIP
S7	4.0 TFSI	4000	2016->	8	CEUC	0.7	LBK8RETCA	LBK8RETIA	LBK8RETIPA
S8	4.0 S TRONIC	4000	2013->	8	CGTA	0.7	LBK8RETCA	LBK8RETIA	LBK8RETIPA
S8	4.2 FSI	4200	2001->2002	8	AVP,AYS	0.8	BK6REQC	BK6RETI	BK6RETIP
S8	4.2 FSI	4200	2001->2004	8	AKH	0.8	BT6REFC	BT6REFI	BT6REFIP
S8	5.2 FSI	5200	2006->	10	BSM	0.8	BK6RETC	BK6RETI	BK6RETIP
SUPER 90	1.8 L	1800	1966->1972	4	ZD	0.8	B8EC	B8EI	B8EIP
TT	1.8 T QUATTRO,COUPE,ROADSTER	1800	2001->	4	APX	0.8	BK6RETC	BK6RETI	BK6RETIP
TT	1.8 TFSI	1800	2008->	4	CDAA	0.8	BK7RETC	BK7RETI	BK7RETIP
TT	1.8 TURBO	1800	2000->2005	4	BAM	0.8	BK6RETC	BK6RETI	BK6RETIP
TT	1.8 TURBO	1800	2000->2006	4	AJQ,APP,ARY	0.8	BK6RETC	BK6RETI	BK6RETIP
TT	2.0 FSI	2000	2006->	4	BWA	0.8	BK7RETC	BK7RETI	BK7RETIP
TT	2.0 FSI	2000	2008->2010	4	CDLA	0.8	BK7RETC	BK7RETI	BK7RETIP
TT	2.0 FSI	2000	2008->2010	4	CDLB	0.8	BK7RETC	BK7RETI	BK7RETIP
TT	2.0 FSI	2000	2010->	4	CETA	0.8	BK7RETC	BK7RETI	BK7RETIP
TT	2.0 T QUATTRO	2000	2010->2013	4	CETA	0.8	BK7RETC	BK7RETI	BK7RETIP
TT	2.0 TFSI	2000	2010->	4	CCZA	0.8	BK7RETC	BK7RETI	BK7RETIP
TT	2.0 TFSI	2000	2010->	4	CDMA	0.8	BK7RETC	BK7RETI	BK7RETIP
TT	2.0 TFSI	2000	2010->	4	CESA	0.8	BK7RETC	BK7RETI	BK7RETIP
TT	2.0 TFSI	2000	2014->	4	CHHC	0.8	LBK7RETCA	LBK7RETIA	LBK7RETIPA
TT	2.0 TFSI TTS	2000	2014->	4	CJXG	0.8	LBK7RETCA	LBK7RETIA	LBK7RETIPA
TT	2.5 RS	2500	2016->	5	DAZA	0.7	LBK8RETCA	LBK8RETIA	LBK8RETIPA
TT	3.2 QUATTRO	3200	2004->	6	BHE	0.8	BK6REAC	BK6REAI	BK6REAIIP
TT	3.2 QUATTRO	3200	2006->	6	BUB	0.8	BK6REAC	BK6REAI	BK6REAIIP
BMW									
1 SERIES	114 I F20	1600	2011->	4	N13 B16A	0.8	LDA7RAC(BI-HEX)	LDA7RAI(BI-HEX)	LDA7RAIP(BI-HEX)
1 SERIES	114 I F20	1600	2011->	4	N13B16A	0.8	LDA7RAC(BI-HEX)	LDA7RAI(BI-HEX)	LDA7RAIP(BI-HEX)
1 SERIES	116 I E81	1600	2007->	4	N45 B16	0.8	BK6REQC	BK6RETI	BK6RETIP
1 SERIES	116 I E87	1600	2005->	4	N45 B16	0.8	BK6REQC	BK6RETI	BK6RETIP
1 SERIES	116 I F20	1600	2011->	4	N13 B16A	0.8	LDA7RAC(BI-HEX)	LDA7RAI(BI-HEX)	LDA7RAIP(BI-HEX)
1 SERIES	118 I	1800	2011->	4	B43	0.8	LDA7RAC(BI-HEX)	LDA7RAI(BI-HEX)	LDA7RAIP(BI-HEX)
1 SERIES	118 I E81	2000	2007->	4	N46 B20	1.1	BK6REAC	BK6REAI	BK6REAIIP

A B C D E F G H I J K L M N O P Q R S T U V W X Y Z VEHICLE MODEL MATCHING TABLE

A
B
C
D
E
F
G
H
I
J
K
L
M
N
O
P
Q
R
S
T
U
V
W
X
Y
Z
VEHICLE MODEL MATCHING TABLE

Model	Type	Capacity	Year	Cyl	Engine	Gap	TAKUMI-Classic*	TAKUMI-Super*	TAKUMI-XSuper*
1 SERIES	118 I E87	2000	2005->	4	N46 B20	1.1	BK6REAC	BK6REAI	BK6REAI
1 SERIES	118 I F21	1600	2011->	4	N13 B16A	0.8	LDA7RAC(BI-HEX)	LDA7RAI(BI-HEX)	LDA7RAIP(BI-HEX)
1 SERIES	120 I	1600	2015->	4	N13 B16A	0.8	LDA7RAC(BI-HEX)	LDA7RAI(BI-HEX)	LDA7RAIP(BI-HEX)
1 SERIES	120 I E87	2000	2007->	4	N43 B20	0.8	LDA7RAC(BI-HEX)	LDA7RAI(BI-HEX)	LDA7RAIP(BI-HEX)
1 SERIES	120 I E87	2000	2004->	4	N46 B20	1.1	BK6REAC	BK6REAI	BK6REAI
1 SERIES	120 I E88	3000	2008->	6	N52 B30	1.1	LBK6REAC	LBK6REAI	LBK6REAI
1 SERIES	120 I E88 CABRIO	2000	2008->	4	N43 B20	0.8	LDA7RAC(BI-HEX)	LDA7RAI(BI-HEX)	LDA7RAIP(BI-HEX)
1 SERIES	125 I	3000	2008->	6	N52 B30	1.1	LBK6REAC	LBK6REAI	LBK6REAI
1 SERIES	125 I E82	3000	2007->	6	N52 B30	1.1	LBK6REAC	LBK6REAI	LBK6REAI
1 SERIES	125 I E88	3000	2008->	4	N52 B30	1.1	LBK6REAC	LBK6REAI	LBK6REAI
1 SERIES	125 I F20	2000	2014->	4	N20 B20A	0.8	LDA8RTC(BI-HEX)	LDA8RTI(BI-HEX)	LDA8RTIP(BI-HEX)
1 SERIES	130 I E87	3000	2005->	6	N52 B30	1.1	LBK6REAC	LBK6REAI	LBK6REAI
1 SERIES	130 I E81	3000	2006->	6	N52 B30	1.1	LBK6REAC	LBK6REAI	LBK6REAI
1 SERIES	135 F21	3000	2012->	6	N55 B30A	0.8	LDA8RTC(BI-HEX)	LDA8RTI(BI-HEX)	LDA8RTIP(BI-HEX)
1 SERIES	135 TI E87	3000	2007->	6	N52 B30	0.8	LDA7RAC(BI-HEX)	LDA7RAI(BI-HEX)	LDA7RAIP(BI-HEX)
1 SERIES	140 I M SPORT F21	3000	2016->	6	B58 B30A	0.8	LDA8RTCA(BI-HEX)	LDA8RTIA(BI-HEX)	LDA8RTIPA(BI-HEX)
2 SERIES	218 I	1800	2014->	4	B38 A15A	0.8	LDA8RTCA(BI-HEX)	LDA8RTIA(BI-HEX)	LDA8RTIPA(BI-HEX)
2 SERIES	220 I F22	2000	2014->	4	N20 B20A/B	0.8	LDA8RTC(BI-HEX)	LDA8RTI(BI-HEX)	LDA8RTIP(BI-HEX)
2 SERIES	220 I F23	200	2014->	4	N20B20A	0.8	LDA8RTC(BI-HEX)	LDA8RTI(BI-HEX)	LDA8RTIP(BI-HEX)
2 SERIES	225 I	2500	2014->	4	N20 B20A	0.8	LDA8RTC(BI-HEX)	LDA8RTI(BI-HEX)	LDA8RTIP(BI-HEX)
2 SERIES	228 I F22	2000	2014->	4	N20 B20A	0.8	LDA8RTC(BI-HEX)	LDA8RTI(BI-HEX)	LDA8RTIP(BI-HEX)
2 SERIES	230 I F23	2000	2015->	4	B48 B20B	0.8	LDA8RTCA(BI-HEX)	LDA8RTIA(BI-HEX)	LDA8RTIPA(BI-HEX)
2 SERIES	235 I	3000	2014->	6	N55 B30A	0.8	LDA8RTC(BI-HEX)	LDA8RTI(BI-HEX)	LDA8RTIP(BI-HEX)
2 SERIES	M 240 I F23	3000	2015->	6	B58 B30A	0.8	LDA8RTCA(BI-HEX)	LDA8RTIA(BI-HEX)	LDA8RTIPA(BI-HEX)
3 SERIES	316 I E30	1800	1987->1988	4	M40 B18	0.8	B5RETC	B5RETI	B5RETIP
3 SERIES	316 I E36	1800	1989->1993	4	M40 B16	0.8	BK6REDY	BK6RETI	BK6RETIP
3 SERIES	316 I E36/5	1600	1996->2000	4	M43 B16	0.8	BK6REDY	BK6RETI	BK6RETIP
3 SERIES	316 I F30	1600	2012->	4	N13B16A	0.8	LDA7RAC(BI-HEX)	LDA7RAI(BI-HEX)	LDA7RAIP(BI-HEX)
3 SERIES	316 I F30	1600	2013->	4	N13 B16A	0.8	LDA7RAC(BI-HEX)	LDA7RAI(BI-HEX)	LDA7RAIP(BI-HEX)
3 SERIES	316 TI E46/5	1800	2003->2004	4	N46 B18	1.1	BK6REAC	BK6REAI	BK6REAI
3 SERIES	318 I E91 TOURING	2000	2006->	4	N46 B20	1.1	BK6REAC	BK6REAI	BK6REAI
3 SERIES	318 I E30 TOURING	1800	1987->1994	4	M40 B18	0.8	BK6REDY	BK6RETI	BK6RETIP
3 SERIES	318 I E46 TOURING	1900	1999->2001	4	M43 B19	0.8	BK6REQC	BK6RETI	BK6RETIP
3 SERIES	318 I F30/F31	1500	2015->	4	B38 B15	0.8	LDA8RTCA(BI-HEX)	LDA8RTIA(BI-HEX)	LDA8RTIPA(BI-HEX)
3 SERIES	318 I S1 E30	1800	1993->1999	4	M42 B18	0.8	BK6REDY	BK6RETI	BK6RETIP
3 SERIES	318 TI E36	1900	1996-1999->	4	M44 B19	0.8	BK6REDY	BK6RETI	BK6RETIP
3 SERIES	318 TI E46/5 COMPACT	2000	2001->2004	4	N42 B20	0.8	BK6REQC	BK6RETI	BK6RETIP
3 SERIES	320 CI E46	2200	2000->2005	6	M54 B22	0.8	BK6REQC	BK6RETI	BK6RETIP
3 SERIES	325 TI E46/5 COMPACT	2500	2001->2004	6	M54 B25	0.8	BK6REQC	BK6RETI	BK6RETIP
3 SERIES	328 I CI E46	2800	1999->	6	M52 B28	0.8	BK6REQC	BK6RETI	BK6RETIP
3 SERIES	328 I E36	2800	1995->1999	6	M52 B28	0.8	BK6REDY	BK6RETI	BK6RETIP
3 SERIES	328 I E46	2800	1996->1999	6	M52 B28	0.8	BK6REDY	BK6RETI	BK6RETIP
3 SERIES	328 I F30/F31/F34	2000	2012->	4	N20 B20A	0.8	LDA8RTC(BI-HEX)	LDA8RTI(BI-HEX)	LDA8RTIP(BI-HEX)
3 SERIES	328 I GT F25	2800	2014->	4	N20 B20A	0.8	LDA8RTC(BI-HEX)	LDA8RTI(BI-HEX)	LDA8RTIP(BI-HEX)
3 SERIES	330 CI E46/2 CONV	3000	2001->	6	M54 B30	0.8	BK6REQC	BK6RETI	BK6RETIP
5 SERIES	530 I E39/2	3000	2001->	6	M54 B30	0.8	BK6REQC	BK6RETI	BK6RETIP
5 SERIES	530 I E60 TOURING	3000	2003->2004	6	M54 B30	0.8	BK6REQC	BK6RETI	BK6RETIP
5 SERIES	530 I E61	3000	2005->	6	N52 B30	1.1	LBK6REAC	LBK6REAI	LBK6REAI
5 SERIES	530 I F10	3000	2011->2013	6	N52N B30BF	1.1	LBK6REAC	LBK6REAI	LBK6REAI
5 SERIES	530 I F11	3000	2011->2013	6	N52N B30A	1.1	LBK6REAC	LBK6REAI	LBK6REAI
5 SERIES	530 I F11	3000	2011->2013	6	N52N B30AF	1.1	LBK6REAC	LBK6REAI	LBK6REAI
5 SERIES	535 F10	3000	2010->	6	N55 B30A	0.8	LDA8RTC(BI-HEX)	LDA8RTI(BI-HEX)	LDA8RTIP(BI-HEX)
5 SERIES	535 GT	3000	2012->	6	N55 B30A	0.8	LDA8RTC(BI-HEX)	LDA8RTI(BI-HEX)	LDA8RTIP(BI-HEX)
5 SERIES	535 I E34	3500	1985->1994	6	M30 B35	0.8	B5RETC	B5RETI	B5RETIP
5 SERIES	540 I E34	4000	1993->1996	8	M60 B40	0.8	BK6REDY	BK6RETI	BK6RETIP
5 SERIES	540 I E39 TOURING	4400	1998->	8	M62 B44	0.8	BK6REQC	BK6RETI	BK6RETIP
5 SERIES	545 I E60	4400	2004->	8	N62 B44	0.8	BK6REQC	BK6RETI	BK6RETIP
5 SERIES	550 F10	4400	2010->	6	N63 B44B	0.8	LDA8RTC(BI-HEX)	LDA8RTI(BI-HEX)	LDA8RTIP(BI-HEX)
5 SERIES	550 GT	4500	2012->	8	N63 B44B	0.8	LDA8RTC(BI-HEX)	LDA8RTI(BI-HEX)	LDA8RTIP(BI-HEX)
5 SERIES	550 I E60	4800	2005->	8	N62 B48	1.1	BK6REAC	BK6REAI	BK6REAI
5 SERIES	550 I F10	4400	2011->	4	N20 B20A	0.8	LDA8RTC(BI-HEX)	LDA8RTI(BI-HEX)	LDA8RTIP(BI-HEX)
5 SERIES	550 I F11	4400	2011->	4	N20 B20A	0.8	LDA8RTC(BI-HEX)	LDA8RTI(BI-HEX)	LDA8RTIP(BI-HEX)
5 SERIES	550 I F11	4400	2013->	8	N63 B44B	0.8	LDA8RTC(BI-HEX)	LDA8RTI(BI-HEX)	LDA8RTIP(BI-HEX)
5 SERIES	ACTIVEHYBRID 5 F10	3000	2012->	6	N55 B30A	0.8	LDA8RTC(BI-HEX)	LDA8RTI(BI-HEX)	LDA8RTIP(BI-HEX)
6 SERIES	635 CSI E24	3400	1982->1988	6	M30 B34	0.8	B5RETC	B5RETI	B5RETIP
6 SERIES	640 I F06	3000	2012->	6	N55 B30A	0.8	LDA8RTC(BI-HEX)	LDA8RTI(BI-HEX)	LDA8RTIP(BI-HEX)
6 SERIES	640 I GT G32	3000	2017->	6	B58 B30A	0.8	LDA8RTCA(BI-HEX)	LDA8RTIA(BI-HEX)	LDA8RTIPA(BI-HEX)
6 SERIES	645 CI E63	4400	2004->2005	8	N62 B44	0.8	BK6REQC	BK6RETI	BK6RETIP
6 SERIES	650 CI E64	4800	2005->	8	N62 B48	1.1	BK6REAC	BK6REAI	BK6REAI
6 SERIES	650 F12	4400	2011->2012	8	N64 B44A	0.8	LDA8RTC(BI-HEX)	LDA8RTI(BI-HEX)	LDA8RTIP(BI-HEX)
7 SERIES	728,728I E23	2800	1978->1987	6	M30 B28	0.8	B5RETC	B5RETI	B5RETIP
7 SERIES	7E+25	3000	1978->1980	6	M30 B30	0.8	B5RETC	B5RETI	B5RETIP
7 SERIES	730 I E32	3000	1987->1992	6	M30 B30	0.8	B5RETC	B5RETI	B5RETIP

Model	Type	Capacity	Year	Cyl	Engine	Gap	TAKUMI-Classic*	TAKUMI-Super*	TAKUMI-XSuper*
7 SERIES	730 I E32	3000	1991->1994	6	M30 B30	0.8	B5REAC	B5REAI	B5REAIIP
7 SERIES	730 I E38	3000	1993->1994	8	M60 B30	0.8	BK6REDY	BK6RETI	BK6RETIP
7 SERIES	730 I F01/F02	3000	2010->2015	6	N52 B30A	1.1	LBK6REAC	LBK6REAI	LBK6REAIIP
7 SERIES	733 I E23	3300	1980->1984	6	M30 B32	0.8	B5RETC	B5RETI	B5RETIP
7 SERIES	735 I E32	3400	1986->1992	6	M30 B35	0.8	B5RETC	B5RETI	B5RETIP
7 SERIES	735 I E38	3500	1998->	8	M62 B35	0.8	BK6REQC	BK6RETI	BK6RETIP
7 SERIES	735 I E65	3600	2002->2005	8	N62 B36	0.8	BK6REQC	BK6RETI	BK6RETIP
7 SERIES	740 E DRIVE G11/G12	3000	2016->	6	B48 B20	0.8	LDA8RTC(BI-HEX)	LDA8RTIA(BI-HEX)	LDA8RTIPA(BI-HEX)
7 SERIES	740 I E32	4000	1993->1996	8	M60 B40	0.8	BK6REDY	BK6RETI	BK6RETIP
7 SERIES	740 I E38	4400	1997->2002	8	M62 B44	0.8	BK6REDY	BK6RETI	BK6RETIP
7 SERIES	740 I E65	4000	2005->	8	N62 B40A	1.1	BK6REAC	BK6REAI	BK6REAIIP
7 SERIES	740 I F01	3000	2009->	6	N53 B30A	0.8	LDA8RTC(BI-HEX)	LDA8RTI(BI-HEX)	LDA8RTIP(BI-HEX)
7 SERIES	740I G12	3000	2015->	6	B58 B30	0.8	LDA8RTC(BI-HEX)	LDA8RTIA(BI-HEX)	LDA8RTIPA(BI-HEX)
7 SERIES	745 I E23	3500	1984->1987	6	M88 B35	0.7	D7ETC	D7ETI	D7ETIP
7 SERIES	745 LI E65	4400	2002->2005	8	N62 B44	0.8	BK6REQC	BK6RETI	BK6RETIP
7 SERIES	750 I E32	5000	1988->1994	12	M70 B50	1.1	BK5REAC	BK5REAI	BK5REAIIP
7 SERIES	750 I E38	5400	1999->	12	M73 B54	0.8	BK6REQC	BK6RETI	BK6RETIP
7 SERIES	750 I E65	4800	2007->	8	N62 B48	1.1	BK6REAC	BK6REAI	BK6REAIIP
7 SERIES	750 I F01	4500	2009->	8	N63 B44A	0.8	LDA8RTC(BI-HEX)	LDA8RTI(BI-HEX)	LDA8RTIP(BI-HEX)
7 SERIES	760 F02	6000	2009->	12	N74 B60A	0.8	LDA8RTC(BI-HEX)	LDA8RTI(BI-HEX)	LDA8RTIP(BI-HEX)
7 SERIES	760 I E65	6000	2004->2007	12	N73 B60	0.8	BK6REQC	BK6RETI	BK6RETIP
7 SERIES	ACTIVE-HYBRID 7 F01	3000	2012->	6	N55 B30A	0.8	LDA8RTC(BI-HEX)	LDA8RTI(BI-HEX)	LDA8RTIP(BI-HEX)
7 SERIES	M760 LI G11,G12	6600	2016->	12	N74 B66B	0.8	LDA8RTC(BI-HEX)	LDA8RTI(BI-HEX)	LDA8RTIP(BI-HEX)
8 SERIES	850 I E31	5000	1992->1994	12	M70 B50	1.1	BK5REAC	BK5REAI	BK5REAIIP
8 SERIES	E31 850 CSI	5000	1994->	12	M73	1.1	BK4REAC	BK4REAI	BK4REAIIP
I SERIES	I 8	1500	2015->	3		0.8	LDA8RTC(BI-HEX)	LDA8RTIA(BI-HEX)	LDA8RTIPA(BI-HEX)
M2	M2 3.0 I F22	3000	2012->	6	N55 B30A	0.8	LDA8RTC(BI-HEX)	LDA8RTI(BI-HEX)	LDA8RTIP(BI-HEX)
M3	M3 3.0 I	3000	2013->	6	S55 B30A	0.8	LDA8RTC(BI-HEX)	LDA8RTI(BI-HEX)	LDA8RTIP(BI-HEX)
M3	M3 E36	3000	1992->1995	6	S50 B30	0.8	DC7REC	DC7REI	DC7REIP
M3	M3 E36	3200	1995->1999	6	S50 B32	0.8	DC7REC	DC7REI	DC7REIP
M3	M3 E46	3200	2001->2006	6	S54 B32	0.8	DC8RETC	DC8RETI	DC8RETIP
M3	M3 E90	4000	2007->	8	S65 B40	0.8	LDK8RDY	LDK8RTI	LDK8RTIP
M3	M3 E92	4000	2007->	8	S65 B40	0.8	LDK8RDY	LDK8RTI	LDK8RTIP
M3	M3 E93	4000	2007->	8	S65 B40	0.8	LDK8RDY	LDK8RTI	LDK8RTIP
M4	M4 3.0 I F33/F83	3000	2014->	6	S55 B20A	0.8	LDA8RTC(BI-HEX)	LDA8RTI(BI-HEX)	LDA8RTIP(BI-HEX)
M5	M5 4.4 I F10	4400	2013->	8	S63 B44B	0.8	LDA8RTC(BI-HEX)	LDA8RTI(BI-HEX)	LDA8RTIP(BI-HEX)
M5	M5 E28	3500	1981->1985	6	M90 B35	0.8	B5RETC	B5RETI	B5RETIP
M5	M5 E28	3500	1985->1987	6	S38 B35	0.7	D7REC	D7REI	D7REIP
M5	M5 E39	5000	1998->2003	8	S62 B50	0.8	BK6REQC	BK6RETI	BK6RETIP
M5	M5 E60	5000	2007->	10	S85 B50A	0.8	LDK8RDY	LDK8RTI	LDK8RTIP
M6	M6 4.4 I F12	4400	2014->	8	S63 B44B	0.8	LDA8RTC(BI-HEX)	LDA8RTI(BI-HEX)	LDA8RTIP(BI-HEX)
M6	M6 E63	5000	2004->2007	10	S85 B50	0.8	LDK8RDY	LDK8RTI	LDK8RTIP
M6	M6 E64	5000	2005->	10	S85 B50	0.8	LDK8RDY	LDK8RTI	LDK8RTIP
X1	X1 1.6 I SDRIVE	2000	2013->	4	N20 B16B	0.8	LDA8RTC(BI-HEX)	LDA8RTI(BI-HEX)	LDA8RTIP(BI-HEX)
X1	X1 1.8 XDRIVE E84	1800	2012->	4	N46 B20	1.1	BK6REAC	BK6REAI	BK6REAIIP
X1	X1 1.8I E84	2000	2009->	4	N46 B20	1.1	BK6REAC	BK6REAI	BK6REAIIP
X1	X1 2.0 S DRIVE F25	2000	2011->	4	N20 B20A	0.8	LDA8RTC(BI-HEX)	LDA8RTI(BI-HEX)	LDA8RTIP(BI-HEX)
X1	X1 2.8 X DRIVE	3000	2013->	6	N52N B30A	1.1	LBK6REAC	LBK6REAI	LBK6REAIIP
X1	X1 2.8I E84	3000	2009->	6	N52 B30	1.1	LBK6REAC	LBK6REAI	LBK6REAIIP
X3	X3 2.0 I F25	1600	2011->	4	N20B16A	0.8	LDA8RTC(BI-HEX)	LDA8RTI(BI-HEX)	LDA8RTIP(BI-HEX)
X3	X3 2.0 X DRIVE	2000	2013->	4	N20 B20A	0.8	LDA8RTC(BI-HEX)	LDA8RTI(BI-HEX)	LDA8RTIP(BI-HEX)
X3	X3 2.0I E83	2000	2005->	4	N46 B20	1.1	BK6REAC	BK6REAI	BK6REAIIP
X3	X3 2.5I E83	2500	2004->	6	M54 B25	0.8	BK6REQC	BK6RETI	BK6RETIP
X3	X3 2.5I E83	2500	2005->	6	M54 B25	0.8	BK6REQC	BK6RETI	BK6RETIP
X3	X3 2.5I E84	3000	2009->	6	N52 B30	1.1	LBK6REAC	LBK6REAI	LBK6REAIIP
X3	X3 2.5SI E83	2500	2006->	6	N52 B25	1.1	LBK6REAC	LBK6REAI	LBK6REAIIP
X3	X3 2.8 X DRIVE F25	2000	2013->	4	N20 B20A	0.8	LDA8RTC(BI-HEX)	LDA8RTI(BI-HEX)	LDA8RTIP(BI-HEX)
X3	X3 3.0I E70	3000	2007->	6	N52 B30	1.1	LBK6REAC	LBK6REAI	LBK6REAIIP
X3	X3 3.0I E83	3000	2004->	6	M54 B30	0.8	BK6REQC	BK6RETI	BK6RETIP
X3	X3 3.0I E83	3000	2004->	6	M54 B30	0.8	BK6REQC	BK6RETI	BK6RETIP
X3	X3 3.0SI E83	3000	2006->	6	N52 B30	1.1	LBK6REAC	LBK6REAI	LBK6REAIIP
X3	X3 3.5 X DRIVE F25	3000	2012->	6	N55 B30A		LDA8RTC(BI-HEX)	LDA8RTI(BI-HEX)	LDA8RTIP(BI-HEX)
X4	X4 2.0 X DRIVE F26	2000	2014->	4	N20 B20A	0.8	LDA8RTC(BI-HEX)	LDA8RTI(BI-HEX)	LDA8RTIP(BI-HEX)
X4	X4 2.8 X DRIVE F26	2800	2014->	6	N20 B20A	0.8	LDA8RTC(BI-HEX)	LDA8RTI(BI-HEX)	LDA8RTIP(BI-HEX)

A
B
C
D
E
F
G
H
I
J
K
L
M
N
O
P
Q
R
S
T
U
V
W
X
Y
Z
VEHICLE MODEL MATCHING TABLE

A
B
C
D
E
F
G
H
I
J
K
L
M
N
O
P
Q
R
S
T
U
V
W
X
Y
Z
VEHICLE MODEL MATCHING TABLE

Model	Type	Capacity	Year	Cyl	Engine	Gap	TAKUMI-Classic*	TAKUMI-Super*	TAKUMI-XSuper*
CHEVROLET									
308	5.0 V8	5000	1989->	8		0.8	BT5RFSTC	BT5RFSTI	BT5RFSTIP
ASCONA	1.3 S	1300	1978->1981	4		0.8	B6RETC	B6RETI	B6RETIP
AVEO	1.2 I	1200	2008->	4	B12D1	0.8	DC8RETC	DC8RETI	DC8RETIP
AVEO	1.4 16V	1400	2005->2008	4	F14D3	1.1	BK6RETC	BK6RETI	BK6RETIP
AVEO	1.4 MFI	1400	2008->	4	A14XER	1.1	BK6REAC	BK6REAI	BK6REAIIP
AVEO	1.5 I	1500	2003->	4	F15S3	1.1	B6RETC	B6RETI	B6RETIP
AVEO	1.6 I	1600	2006->2008	4	F16D	1.1	BK6RETC	BK6RETI	BK6RETIP
AVEO	1.6 I	1600	2010->	4	L4	1.1	BK6REAC	BK6REAI	BK6REAIIP
AVEO	1.6 LT	1600	2009->	4	L4 EFI	1.1	BK6REAC	BK6REAI	BK6REAIIP
BLAZER	4.3 V6	4300	2003->2003	6	EFI	1.5	BT5REFTC	BT5REFTI	BT5REFTIP
BLAZER	5.7 V8	5700	1994->	8	EFI	0.8	BT5RFSTC	BT5RFSTI	BT5RFSTIP
C10	4.1 LCV	4100	1974->1980	6		0.8	B5RETC	B5RETI	B5RETIP
C20	4.1 LCV	4100	1974->1980	6		0.8	B5RETC	B5RETI	B5RETIP
CAPTIVA	2.4 I	2400	2006->	4	Z24SED	0.8	BK5REDC	BK5REI	BK5REIP
CAPTIVA	2.4 LT	2400	2006->	4	Z24SED	0.8	BK5REDC	BK5REI	BK5REIP
CAPTIVA	3.0 I	3000	2012->	6	A30XH		LBT6REFTC	LBT6REFTI	LBT6REFTIP
CAPTIVA	3.0 LTZ	3000	2012->	6	LF	1.1	LBT6REFTC	LBT6REFTI	LBT6REFTIP
CAPTIVA	3.2 V6	3200	2006->	6	Z32SED	1.3	BT5REFTC	BT5REFTI	BT5REFTIP
CAVALIER	2.2 S	2200	2005->	4	L4	1.3	BT5REFTC	BT5REFTI	BT5REFTIP
CHEVAIR	1.6 L	1600	1980->1982	4		0.6	B6HTC	B6HTI	B6HTIP
CHEVAIR	2.0 DL	2000	1976->1980	4		0.8	B5RETC	B5RETI	B5RETIP
CHEVAIR	2.3 GL,SR	2300	1976->1981	4		0.8	B5RETC	B5RETI	B5RETIP
COMMODORE	3.8 S/WAGON	3800	1978->1982	6		0.8	B5RETC	B5RETI	B5RETIP
COMMODORE	4.1 GL	4100	1978->1982	6		0.8	B5RETC	B5RETI	B5RETIP
CORVETTE	5.7 V8 FI	5700	2001->2003	8	G, EFI	1.5	BT5REFTC	BT5REFTI	BT5REFTIP
CORVETTE	5.7 V8	5700	1996->2000	8	EFI	1.5	BT5REFTC	BT5REFTI	BT5REFTIP
CORVETTE	5.7 V8 FI	5700	2003->2004	8		1.5	BT5REFAC	BT5REFAI	BT5REFAIIP
CORVETTE	6.0 V8 FI	6000	2005->	8		1.5	BT5REFAC	BT5REFAI	BT5REFAIIP
CROSSFIRE	3.2 V6 EFI	3200	2006->	6		1.1	BK5RETC	BK5RETI	BK5RETIP
CRUZE	1.4 I	1400	2009->	4	A14XER	1.1	BK6REAC	BK6REAI	BK6REAIIP
CRUZE	1.4 I	1400	2014->	4		0.7	BK6RETC	BK6RETI	BK6RETIP
CRUZE	1.4 T	1400	2012->	4	A14NET	0.7	BK7RETC	BK7RETI	BK7RETIP
CRUZE	1.6 I	1600	2003->2005	4	F16D3	1.1	BK6RETC	BK6RETI	BK6RETIP
CRUZE	1.6 I	1600	2009->2012	4	F16D4	1.1	BK6REAC	BK6REAI	BK6REAIIP
CRUZE	1.6 I	1600	2009->2012	4	F16D4	1.1	BK6REAC	BK6REAI	BK6REAIIP
CRUZE	1.6 I	1600	2013->	4	LDE		BK6REAC	BK6REAI	BK6REAIIP
CRUZE	1.8 I	1800	2009->	4	F18D4	0.9	BK6REAC	BK6REAI	BK6REAIIP
LUMINA	2.2 I	2200	2004->	4		1.1	BK6REAC	BK6REAI	BK6REAIIP
LUMINA	3.7 I	3700	2005->	6	LY7	1.5	BT5RFSTC	BT5RFSTI	BT5RFSTIP
LUMINA	3.7 LI	3700	2005->	6	LEO	1.3	BT5RFSTC	BT5RFSTI	BT5RFSTIP
LUMINA	3.8 FI	3800	2003->	8		0.8	BT5RFSTC	BT5RFSTI	BT5RFSTIP
LUMINA	5.7 SS	5700	2003->	8		1.3	BT5REFTC	BT5REFTI	BT5REFTIP
LUMINA	6.0 SS	6000	2007->	8		1.5	BT5REFTC	BT5REFTI	BT5REFTIP
LUV	1.6 LCV	1600		4		0.8	B6RETC	B6RETI	B6RETIP
NOMAD	2.5 L	2500	1976->1980	4		0.8	B5RETC	B5RETI	B5RETIP
OPTRA	1.6 LS	1600	2004->	4	F16D	1.1	BK6RETC	BK6RETI	BK6RETIP
OPTRA	1.8 LT	1800	2004->	4	T18SED	0.8	BK5REDC	BK5REI	BK5REIP
ORLANDO	1.8 I	1800	2011->	4	2H0	1.1	BK6REAC	BK6REAI	BK6REAIIP
REKORD	2.0 GL	2000	1980->1982	4		0.6	B6HTC	B6HTI	B6HTIP
REKORD	2.3 GL,L	2300	1978->1981	4		0.8	B5RETC	B5RETI	B5RETIP
SENATOR	4.1 LT	4100	1979->1982	6		0.8	B5RETC	B5RETI	B5RETIP
SONIC	1.4 I	1400	2012->	4	14XER	1.1	BK6REAC	BK6REAI	BK6REAIIP
SONIC	1.6 I	1600	2012->	4	F16D4	1.1	BK6REAC	BK6REAI	BK6REAIIP
SPARK	0.8 LS	800	2003->2005	3	F8CV	1.1	B5RETC	B5RETI	B5RETIP
SPARK	1.0 L	1000	2005->	4	B10S	1.1	B5RETC	B5RETI	B5RETIP
SPARK	1.2 L	1200	2011->	4	B12D1	0.8	DC8RETC	DC8RETI	DC8RETIP
TAHOE	5.3 V8 FI	5300	2006->	8	LY5	1.5	BT5REFTC	BT5REFTI	BT5REFTIP
TAHOE	5.7 I V8	5700	1996->2000	8	R V8	1.5	BT5REFTC	BT5REFTI	BT5REFTIP
TRAILBLAZER	3.6 V6 LTZ	3600	2012->	6		1.1	LBT6REFTC	LBT6REFTI	LBT6REFTIP
UTILITY	1.3 I	1300	1997->2000	4	13NE	0.8	B6RETC	B6RETI	B6RETIP
UTILITY	1.4 I	1400	2000->2004	4	14NE	0.8	B6RETC	B6RETI	B6RETIP
UTILITY	1.4 I	1400	2005->2006	4	Z14XE	0.8	BK5REDC	BK5REI	BK5REIP
UTILITY	1.4 I	1400	2006->	4	X14SE	1.1	BK5REAC	BK5REAI	BK5REAIIP
UTILITY	1.4 I	1400	2006->	4	Z14XEP	1.1	BK5REAC	BK5REAI	BK5REAIIP
UTILITY	1.6 I	1600	1997->2004	4	16NE	0.8	BK6RETC	BK6RETI	BK6RETIP
UTILITY	1.8 I	1800	2006->	4	Z18SE	0.8	B6RETC	B6RETI	B6RETIP
VIVANT	1.6 DOHC	1600	2003->	4		1.1	BK6RETC	BK6RETI	BK6RETIP
VIVANT	2.0 LS DOHC	2000	2003->	4		0.8	BK6REDC	BK6RETI	BK6RETIP
CHRYSLER									
300C	2.7 LX V6	2700	2006->	6	EER	1.3	LBT5REFTC	LBT5REFTI	LBT5REFTIP

Model	Type	Capacity	Year	Cyl	Engine	Gap	TAKUMI-Classi*	TAKUMI-Super*	TAKUMI-XSuper*
300C	3.5 LI V6	3500	2006->	6	G FI	1.3	BK5REHC	BK5REHI	BK5REHIP
300C	3.6 I	3600	2012->	6	ERB	0.8	LDK7RTC	LDK7RTI	LDK7RTIP
300C	5.7 FI	5700	2004->	8	HEMI	1.3	LBT5REFTC	LBT5REFTI	LBT5REFTIP
300C	6.1 SRT8	6100	2006->	8	ESF	1.3	LBT5REFTC	LBT5REFTI	LBT5REFTIP
CHEROKEE	3.7 V6 SPORT	3700	2001->	6		1.1	BK6REAC	BK6REAI	BK6REAIIP
CHEROKEE	4.0 I V6	4000	2001->	6		1	BK5REHC	BK5REHI	BK5REHIP
CHEROKEE	4.7 I V8	4700	2001->	8		1.1	BK5RETC	BK5RETI	BK5RETIP
CROSSFIRE	3.2 ROADSTER	3200	2004->	6	EGX	1	BK6RETC	BK6RETI	BK6RETIP
GRAND JEEP CHEROKEE	3.6 I	3600	2011->	6		0.8	LDK7RTC	LDK7RTI	LDK7RTIP
GRAND JEEP CHEROKEE	3.7 I V6	3700	2006->	6	KFI	1.1	BK6REAC	BK6REAI	BK6REAIIP
GRAND JEEP CHEROKEE	3.7 V6 LAREDO	3700	2009->	6	KFI	1.1	BK6REAC	BK6REAI	BK6REAIIP
GRAND JEEP CHEROKEE	4.0 I	4000	2003->2004	6	L6 SFI	0.8	BK5REAC	BK5REAI	BK5REAIIP
GRAND JEEP CHEROKEE	4.7 I	4700	1999->	8		1.1	BK5RETC	BK5RETI	BK5RETIP
GRAND JEEP CHEROKEE	4.7 I V8	4700	2000->2004	8	N FI SOHC	1.1	BK5REAC	BK5REAI	BK5REAIIP
GRAND JEEP CHEROKEE	4.7 V8 LAREDO	4700	2006->	8	N FI	1.1	BK5REAC	BK5REAI	BK5REAIIP
GRAND JEEP CHEROKEE	5.2 I	5200	2001->	8		1.1	BK5REAC	BK5REAI	BK5REAIIP
GRAND JEEP CHEROKEE	5.7 L	5700	2011->	8		1.1	LBK5REAC	LBK5REAI	LBK5REAIIP
GRAND JEEP CHEROKEE	5.7 V8 OVERLAND	5700	2006->	8	2FI	1.1	LBT5REFAC	LBT5REFAI	LBT5REFAIIP
GRAND JEEP CHEROKEE	5.7 V8 OVERLAND	5700	2009->	8	2FI	1.1	LBK5REAC	LBK5REAI	LBK5REAIIP
GRAND JEEP CHEROKEE	5.9 I	5900	2001->	8		1.1	BK5REAC	BK5REAI	BK5REAIIP
GRAND JEEP CHEROKEE	6.1 V8 SRT8	6100	2006->2009	8	3FI	1.3	LBT5REFAC	LBT5REFAI	LBT5REFAIIP
GRAND JEEP CHEROKEE	6.4 SRT8	6400	2012->	8		1.1	LBT6REFAC	LBT6REFAI	LBT6REFAIIP
GRAND VOYAGER	3.3 I	3300	2001->	6	EGA	0.8	B5RETC	B5RETI	B5RETIP
JEEP	2.4 CHEROKEE	2400	2003->	4		1.1	LBT4REFTC	LBT4REFTI	LBT4REFTIP
JEEP	2.4 LIBERTY	2400	2005->	4		1.1	LBT4REFTC	LBT4REFTI	LBT4REFTIP
JEEP	3.6 I WRANGLER	3600	2012->	6	ERB	0.8	LDK7RTC	LDK7RTI	LDK7RTIP
JEEP	3.7 CHEROKEE	3700	2001->	6		1.1	BK5REAC	BK5REAI	BK5REAIIP
JEEP	3.7 COMMANDER	3700	2006->	6	V6 KFI	1.1	BK5REAC	BK5REAI	BK5REAIIP
JEEP	4.0 CHEROKEE,WRANGLER	4000	1996->	6	L6	1.1	BK5REAC	BK5REAI	BK5REAIIP
JEEP	4.7 V8 LTD COMMANDER	4700	2006->	8	NFI	1.1	BK5REAC	BK5REAI	BK5REAIIP
JEEP	5.2 V8 CHEROKEE,GRAND	5200	1996->	8		0.8	BK6REJC	BK6RETI	BK6RETIP
JEEP	5.7 V8 COMMANDER	5700	2006->	8	2FI	1.1	LBT5REFAC	LBT5REFAI	LBT5REFAIIP
JEEP	CJ5 1.9 L	1900	1985->	4	VW	0.8	B6RETC	B6RETI	B6RETIP
JEEP CHEROKEE	2.4 L	2400	2012->	4	ECN	1.1	BK5REAC	BK5REAI	BK5REAIIP
JEEP CHEROKEE	3.2 L	3200	2012->	6	EHB		LBT5REFAC	LBT5REFAI	LBT5REFAIIP
JEEP COMPASS	2.0 L	2000	2012->	4	ECN	1.1	BK5REAC	BK5REAI	BK5REAIIP
JEEP WRANGLER	2.4 I	2400	2006->	4	L4 1FI	1.1	LBT5REFAC	LBT5REFAI	LBT5REFAIIP
JEEP WRANGLER	2.5 I	2500	2001->	4	EPE	1	BK5REHC	BK5REHI	BK5REHIP
JEEP WRANGLER	3.6 I	3600	2012->	6	ERB	0.8	LDK7RTC	LDK7RTI	LDK7RTIP
JEEP WRANGLER	3.8 V6 RUBICON	3800	2007->	6	FI	1.3	LBT5REFAC	LBT5REFAI	LBT5REFAIIP
JEEP WRANGLER	4.0 I	4000	2001->	6	ERH	1	BK5REHC	BK5REHI	BK5REHIP
JEEP WRANGLER	4.0 RUBICON	4000	2006->	6	L6 SFI	0.8	BK5REAC	BK5REAI	BK5REAIIP
JEEP WRANGLER	4.0 SPORT	4000	2006->	6	L6 SFI	0.8	BK5REAC	BK5REAI	BK5REAIIP
MAYBACH	5.5 57,62	5500	2002->	12	M285.590	0.8	BK6RETC	BK6RETI	BK6RETIP
NEON	1.6 SE	1600	2001->	4		1.1	BK5REAC	BK5REAI	BK5REAIIP
NEON	2.0 LE,SE 16V	2000	1996->1998	4	ECB	0.8	BK6RETC	BK6RETI	BK6RETIP
NEON	2.0 LX , RT	2000	2000->	4	ECC/ECO	0.8	BK6RETC	BK6RETI	BK6RETIP
PATRIOT	2.4 LIMITED	2400	2007->	4		1.1	BK5REAC	BK5REAI	BK5REAIIP
PT CRUISER	2.0 LTD EDITION	2000	2000->	4	EEC	1.1	LBT4REFTC	LBT4REFTI	LBT4REFTIP
PT CRUISER	2.4 EFI	2400	2003->	4	EDV	1.1	LBT4REFTC	LBT4REFTI	LBT4REFTIP
SEBRING	2.4 I	2400	2001->	4	4G64	1.1	BK5RETC	BK5RETI	BK5RETIP
SEBRING	2.4 I	2400	2007->	4	EC4	1.1	LBT4REFTC	LBT4REFTI	LBT4REFTIP
SEBRING	2.7 I	2700	2001->2002	4	EES	1.3	BT5REFTC	BT5REFTI	BT5REFTIP
SEBRING	2.7 LX V6	2700	2009->	6	DFI	1.3	LBT5REFTC	LBT5REFTI	LBT5REFTIP
SEBRING	3.5 V6	3500	2009->	6	EGF	1.3	BK5REHC	BK5REHI	BK5REHIP
VALIANT	3.7 ALL MODELS	3700	1972->1978	6		0.8	B5RETC	B5RETI	B5RETIP
VOYAGER	2.4 16V	2400	2003->	4	EDZ	1.1	LBT4REFTC	LBT4REFTI	LBT4REFTIP
VOYAGER	3.3 I	3300	2001->	6	EGM	1.3	LBT5REFAC	LBT5REFAI	LBT5REFAIIP
VOYAGER 1	2.5 SE	2500	1988->	6	EDM	0.8	B6RETC	B6RETI	B6RETIP
VOYAGER 1	3.0 I	3000	1988->	6	EFA	1.1	B5RETC	B5RETI	B5RETIP
VOYAGER 2	2.0 I	2000	1997->2001	4	ECB	0.8	BK6RETC	BK6RETI	BK6RETIP
VOYAGER 2	2.4 I	2400	1996->	4	EDZ	1.1	BK5REAC	BK5REAI	BK5REAIIP
VOYAGER 2	2.5 I	2500	1992->	6	EDM	0.8	B6RETC	B6RETI	B6RETIP
VOYAGER 2	3.3 I	3300	1994->1996	6	EGA	0.8	B5RETC	B5RETI	B5RETIP
VOYAGER 2	3.3 I	3300	1996->2001	6	EGA V6 MPI	0.8	B4RETC	B4RETI	B4RETIP
VOYAGER 3	2.4 SE	2400	2000->	4	EDZ	1.1	BK5RETC	BK5RETI	BK5RETIP
VOYAGER 3	3.3 SE	3300	1997->	6	EGA	0.8	B5RETC	B5RETI	B5RETIP
VOYAGER 3	3.3 SE	3300	2001->	6	EGA	1.3	LBT5REFAC	LBT5REFAI	LBT5REFAIIP

A
B
C
D
E
F
G
H
I
J
K
L
M
N
O
P
Q
R
S
T
U
V
W
X
Y
Z
VEHICLE MODEL MATCHING TABLE

A
B
C
D
E
F
G
H
I
J
K
L
M
N
O
P
Q
R
S
T
U
V
W
X
Y
Z

VEHICLE MODEL MATCHING TABLE

Model	Type	Capacity	Year	Cyl	Engine	Gap	TAKUMI-Classic*	TAKUMI-Super*	TAKUMI-XSuper*
CITROEN									
BERLINGO	1.4 I	1400	2002->	4	TU3JP	0.8	BK6RETC	BK6RETI	BK6RETIP
BERLINGO	1.4 MULTISPACE	1400	2004->	4	TU3JP	0.8	BK6REDY	BK6RETI	BK6RETIP
BERLINGO	1.6 95 VTI	1600	2010->	4	EP6CDTR	0.8	LDA7RAC(BI-HEX)	LDA7RAI(BI-HEX)	LDA7RAIP(BI-HEX)
BERLINGO	1.6 I 16V	1600	2001->	4	TU5JP4	0.9	LBK6RETC	LBK6RETI	LBK6RETIP
C1	1.0 FURIO, IPLAY	1000	2006->2011	3	384F	1.1	LBK6RETC	LBK6RETI	LBK6RETIP
C1	1.2 I	1200	2014->	3	EB2D	1	LDK6RAC	LDK6RAI	LDK6RAIP
C1	1.2 VTI	1200	2012->2013	3	EB2	1	LDK6RAC	LDK6RAI	LDK6RAIP
C2	1.4 VTR	1400	2004->	4	TU3JP-KFV	0.8	BK6RETC	BK6RETI	BK6RETIP
C2	1.6 VTS 16V	1600	2005->	4	TU5JP4 NFU	0.9	LBK6RETC	LBK6RETI	LBK6RETIP
C3	1.0 VTI 68	1000	2012->	3	EB0	1	LDK6RAC	LDK6RAI	LDK6RAIP
C3	1.2 VTI 82	1200	2012->	3	EB2	1	LDK6RAC	LDK6RAI	LDK6RAIP
C3	1.4 95 VTI	1400	2008->	4	EP3	0.8	LDA7RAC(BI-HEX)	LDA7RAI(BI-HEX)	LDA7RAIP(BI-HEX)
C3	1.4 VTI	1400	2002->	4	TU3JP-KFX,KFV	0.8	BK6RETC	BK6RETI	BK6RETIP
C3	1.4 VTI	1400	2003->	4	ET3J4-KFU	0.8	LDA7RAC	LDA7RAI	LDA7RAIP
C3	1.6 120 VTI	1600	2009->	4	EP6C	0.8	LDA7RAC(BI-HEX)	LDA7RAI(BI-HEX)	LDA7RAIP(BI-HEX)
C3	1.6 16V	1600	2002->	4	TU5JP4 NFU	0.9	LBK6RETC	LBK6RETI	LBK6RETIP
C3	1.6 VTI	1600	2002->	4	TU5JP	0.9	LBK6RETC	LBK6RETI	LBK6RETIP
C3	1.6 VTI COMFORT	1600	2008->	4	EP6	0.8	LDA7RAC(BI-HEX)	LDA7RAI(BI-HEX)	LDA7RAIP(BI-HEX)
C4	1.6 16V	1600	2005->	4	TU5JP4 NFU	0.9	LBK6RETC	LBK6RETI	LBK6RETIP
C4	1.6 THP	1600	2010->	4	EP6CDT	0.8	LDA7RAC(BI-HEX)	LDA7RAI(BI-HEX)	LDA7RAIP(BI-HEX)
C4	1.6 VTI	1600	2010->	4	EP6C	0.8	LDA7RAC(BI-HEX)	LDA7RAI(BI-HEX)	LDA7RAIP(BI-HEX)
C4	2.0 16V	2000	2005->	4	EW10A	0.8	LBK5RETC	LBK5RETI	LBK5RETIP
C4	2.0 VTS	2000	2004->	4	EW10A	0.8	LBK6RETC	LBK6RETI	LBK6RETIP
C4 AIRCROSS	1.6 AIRCROSS	1600	2012->	4	4A92	1.1	LDK5RTC	LDK5RTI	LDK5RTIP
C4 AIRCROSS	1.6 I	1600	2012->	4	4A92	1.1	LDK5RTC	LDK5RTI	LDK5RTIP
C4 AIRCROSS	2.0 I	2000	2012->	4	4A92	1.1	LDK5RTC	LDK5RTI	LDK5RTIP
C4 CACTUS	1.2 I	1200	2015->	4	EB2DT	1	LDK6RAC	LDK6RAI	LDK6RAIP
C5	1.6 THP	1600	2009->	4	EP6CDT	0.8	LDA7RAC(BI-HEX)	LDA7RAI(BI-HEX)	LDA7RAIP(BI-HEX)
C5	2.0 16V	2000	2001->	4	EW10J4 RFN	0.9	LBK5RETC	LBK5RETI	LBK5RETIP
C6	3.0 V6 24V	3000	2005->	6	XVF	1.1	LBK6REAC	LBK6REAI	LBK6REAIIP
C8	2.0 LX	2000	2002->	4	EW10J4-RFN	0.9	LBK5RETC	LBK5RETI	LBK5RETIP
C8	2.2 LI	2200	2002->	4	EW12J4-352	0.9	LBK5RETC	LBK5RETI	LBK5RETIP
DS 20	2.0 GL	2000	1972->1975	4		0.8	B7HTC	B7HTI	B7HTIP
DS 21	2.2 GL	2200	1972->1975	4		0.8	B6HC	B6HI	B6HIP
DS 23	2.3 GL	2300	1972->1975	4		0.8	B7HTC	B7HTI	B7HTIP
DS3	1.2 VTI 82	1200	2011->	3	EB2	1	LDK6RAC	LDK6RAI	LDK6RAIP
DS3	1.4 I	1400	2010->	4	EP3C	0.8	LDA7RAC(BI-HEX)	LDA7RAI(BI-HEX)	LDA7RAIP(BI-HEX)
DS3	1.6 THP	1600	2010->	4	EP6DT/EP6CDT	0.8	LDA7RAC(BI-HEX)	LDA7RAI(BI-HEX)	LDA7RAIP(BI-HEX)
DS3	1.6 VTI	1600	2010->	4	EP6C	0.8	LDA7RAC(BI-HEX)	LDA7RAI(BI-HEX)	LDA7RAIP(BI-HEX)
DS4	1.6 120 VTI	1600	2011->	4	EP6C	0.8	LDA7RAC(BI-HEX)	LDA7RAI(BI-HEX)	LDA7RAIP(BI-HEX)
DS4	1.6 155 THP	1600	2011->	4	EP6DT / EP6CDT	0.8	LDA7RAC(BI-HEX)	LDA7RAI(BI-HEX)	LDA7RAIP(BI-HEX)
DS4	1.6 200 THP	1600	2011->	4	EP6CDTX	0.8	LDA7RAC(BI-HEX)	LDA7RAI(BI-HEX)	LDA7RAIP(BI-HEX)
XSARA	1.6 8V	1600	1997->2000	4	TU5JP NFZ	0.8	BK6RETC	BK6RETI	BK6RETIP
XSARA	1.8 16V	1800	2000->	4	EW7 J4 6FZ	0.9	LBK5RETC	LBK5RETI	LBK5RETIP
XSARA	2.0 16V	2000	2000->	4	XU10J4RS	0.8	BK6REDY	BK6RETI	BK6RETIP
XSARA	2.0 VTS 16V	2000	2001->	4	EW10J4 RFM	0.9	LBK5RETC	LBK5RETI	LBK5RETIP
FIAT									
128	1.3 L	1300	1974->1984	4	128A.1000	0.8	B6RETC	B6RETI	B6RETIP
131	1.3 CARB	1300	1980->1984	4	131A	0.8	B6RETC	B6RETI	B6RETIP
131	2.0 LX	2000	1981->1984	4	131C4	0.8	B6RETC	B6RETI	B6RETIP
500	1.2 I	1200	2007->	4	169A.4000	1	DC7REAC	DC7REAI	DC7REAIIP
500	1.4 I	1400	2007->	4	169A.3000	1	DC7RETC	DC7RETI	DC7RETIP
500	1.4 I	1400	2008->	4	198A.1000	0.8	DC9REC	DC9REI	DC9REIP
500L	0.9 I	900	2012->	2	199B.6000	0.8	LDK9RTC	LDK9RTI	LDK9RTIP
500L	1.4 I	1400	2012->	4	843A.1000	0.8	DC7RETC	DC7RETI	DC7RETIP
500X	1.4I CROSS	1400	2015->	4	55263623	0.8	DC9REC	DC9REI	DC9REIP
500X	1.6I POP STAR	1600	2015->	4	55263623	0.8	DC9REC	DC9REI	DC9REIP
BRAVO	1.2 12V	1400	1998->2001	4	182A.3000	0.7	BK6REDY	BK6RETI	BK6RETIP
BRAVO	1.2 I	1200	1999->2001	4	182B.2000	0.8	DC8RETC	DC8RETI	DC8RETIP
BRAVO	1.4 16V TURBO	1400	2007->	4	198A.1000	0.8	DC9REC	DC9REI	DC9REIP
BRAVO	1.6 FI	1600	1999->2001	4	182A.4000	0.8	BK5RETC	BK5RETI	BK5RETIP
BRAVO	1.8 I	1800	1995->2001	4	182A.2000	0.7	BK6REDY	BK6RETI	BK6RETIP
BRAVO	2.0 FI	2000	1999->2001	4	182A.1000	0.7	BK6REDY	BK6RETI	BK6RETIP
CROMA	2.2 I	2200	2005->	4	194A.1000	1	LBT6REFTC	LBT6REFTI	LBT6REFTIP
DOBLO	1.2 8V	1200	2005->	4	223A.5000	1	DC7RETC	DC7RETI	DC7RETIP
DOBLO	1.2 P/VAN	1200	2000->2004	4	223A.5000	0.8	BK5RETC	BK5RETI	BK5RETIP
DOBLO	1.2 P/VAN	1200	2004->2005	4	223A.5000	1	DC7RETC	DC7RETI	DC7RETIP
DOBLO	1.4 CARGO	1400	2010->	4	843A1.000	1	DC7RETC	DC7RETI	DC7RETIP

Model	Type	Capacity	Year	Cyl	Engine	Gap	TAKUMI-Classic*	TAKUMI-Super*	TAKUMI-XSuper*
DOBLO	1.4 P/VAN	1400	2005->	4	350A.1000	1	DC7REAC	DC7REAI	DC7REAIIP
DOBLO	1.6 P/VAN	1600	2000->2005	4	182B.6000	0.8	BK5RETC	BK5RETI	BK5RETIP
PUNTO	1.4 I MULTI AIR	1400	2012->	4	955A.6000	1	DC7RETC	DC7RETI	DC7RETIP
PUNTO	1.4 L	1400	1993->1999	4	176A.4000	0.8	BK6REJC	BK6RETI	BK6RETIP
PUNTO	1.4 L 16V	1400	2003->	4	843A.1000	1	DC7RETC	DC7RETI	DC7RETIP
PUNTO	1.4 TURBO MULTI AIR	1400	2012->	4	955A.2000	0.8	DC9REC	DC9REI	DC9REIP
PUNTO	1.8 HGT	1800	2002->	4	183A.1000	0.8	BK6REDY	BK6RETI	BK6RETIP
QUBO	1.4 I	1400	2009->	4	350A.1000	1	DC7REAC	DC7REAI	DC7REAIIP
SEICENTO	1.1 I	1100	2001->	4	176B.2000	0.8	BK6RETC	BK6RETI	BK6RETIP
SEICENTO	1.1 I	1100	2004->	4	187A.1000	1	DC7RETC	DC7RETI	DC7RETIP
SIENA	1.2 EL	1200	1999->	4	178B.5000	0.8	BK6RETC	BK6RETI	BK6RETIP
SIENA	1.6 EL	1600	1999->	4	178B.3000	0.8	BK6RETC	BK6RETI	BK6RETIP
SIENA 2	1.2 EL	1200	2005->	4	176A.8000	0.8	BK6RETC	BK6RETI	BK6RETIP
SPIDER	2.0 I	2000	1996->	4		0.8	B7RETC	B7RETI	B7RETIP
STILO	1.4 16V	1400	2004->2005	4	843A.1000	0.8	DC7RETC	DC7RETI	DC7RETIP
STILO	1.6 ACTIVE,ACTUAL	1600	2004->	4	182B.6000	0.8	BK5RETC	BK5RETI	BK5RETIP
STILO	2.4 20V	2400	2004->	5	192A.2000	0.8	BK6RETC	BK6RETI	BK6RETIP
STRADA	1.2 I	1200	1999->2003	4	188A.4000	0.8	BK5RETC	BK5RETI	BK5RETIP
STRADA	1.2 I	1200	2004->	4	178B.7045	1	DC7RETC	DC7RETI	DC7RETIP
STRADA	1.4 16V	1400	2007->	4	843.A.1000	0.8	DC7RETC	DC7RETI	DC7RETIP
STRADA	1.6 I	1600	1999->2004	4	178D.2011	0.8	BK5RETC	BK5RETI	BK5RETIP
TIPO	1.4 I	1400	2016->	4	843.A1000	1	DC7RETC	DC7RETI	DC7RETIP
ULYSSE	2.0 SX	2000	1999->	4	RFU(XU10J2C.L3)	0.8	BK6RETC	BK6RETI	BK6RETIP
UNO	1.0 CENTO	1000	1996->1998	4	160A3	0.8	BK5RETC	BK5RETI	BK5RETIP
UNO	1.1 ESPRESSO	1100	1992->	4	160A3	0.8	BK5RETC	BK5RETI	BK5RETIP
UNO	1.1 FIRE	1100	1991->	4	160A3	0.8	BK5RETC	BK5RETI	BK5RETIP
UNO	1.1 MIA	1100	1998->	4	160A3	0.8	BK5RETC	BK5RETI	BK5RETIP
UNO	1.1 RIO	1100	1995->	4	160A3	0.8	BK5RETC	BK5RETI	BK5RETIP
UNO	1.1TEMPO	1100	1998->	4	160A1	0.8	BK5RETC	BK5RETI	BK5RETIP
UNO	1.2 FIRE	1200	2007->	4	1,583,766	0.8	BK6RETC	BK6RETI	BK6RETIP
UNO	1.4 BEAT	1400	1994->	4	146C1	0.8	B6RETC	B6RETI	B6RETIP
UNO	1.4 MIA	1400	1998->2000	4		0.8	B6RETC	B6RETI	B6RETIP
UNO	1.4 PACER CARB	1400	1990->2000	4	160A1	0.8	B6RETC	B6RETI	B6RETIP
UNO	1.4 TEMPO	1400	1998->2000	4		0.8	B6RETC	B6RETI	B6RETIP
UNO	1.4 TURBO	1400	1990->1998	4	146A8.046	0.8	BK6REJC	BK6RETI	BK6RETIP
X1/9	1.3 S	1300	1973->1979	4	128AS.000	0.8	B6RETC	B6RETI	B6RETIP
X1/9	1.5 S	1500	1978->1989	4		0.8	B6RETC	B6RETI	B6RETIP
FORD									
3000	3.0 1TONNER	3000	1997->	6	ESSEX	0.8	B6RETC	B6RETI	B6RETIP
B-MAX	1.0 ECOSPORT	1000	2015->	3	M1JE	0.7	LDT8REFCA	LDT8REFIA	LDT8REFIPA
B-MAX	1.0 ECOSPORT	1000	2015->	3	SFJA/SFJB	0.7	LDT8REFCA	LDT8REFIA	LDT8REFIPA
BANTAM	1.3 I	1300	2003->	4	ROCAM	1	BT5REFTC	BT5REFTI	BT5REFTIP
BANTAM	1.3 PICK-UP	1300	1983->1986	4	KENT	0.8	B6RETC	B6RETI	B6RETIP
BANTAM	1.4 L	1400	1986->1994	4	CVH	0.8	BK6ETC	BK6ETI	BK6ETIP
BANTAM	1.6 I	1600	1994->	4	B6	0.8	B6RETC	B6RETI	B6RETIP
BANTAM	1.6 I	1600	2003->	4	ROCAM	1	BT6REFTC	BT6REFTI	BT6REFTIP
BANTAM	1.6 L	1600	1984->1994	4	CVH	0.8	BK6ETC	BK6ETI	BK6ETIP
CORTINA	1.3 L	1300	1963->	4	KENT	0.8	B6RETC	B6RETI	B6RETIP
CORTINA	1.6 1TONNER	1600	1977->1986	4	KENT	0.8	B6RETC	B6RETI	B6RETIP
CORTINA	1.6 GL,L	1600	1977->1983	4	KENT	0.8	B6RETC	B6RETI	B6RETIP
CORTINA	2.0 GHIA,GL,GLE	2000	1983->	4	KOLN	0.8	A6FSTC	A6FSTI	A6FSTIP
CORTINA	2.0 RS (MODIFIED)	2000	1978->1980	4	KOLN	0.8	A8FSTC	A8FSTI	A8FSTIP
CORTINA	3.0 1TONNER	3000	1977->1986	6	ESSEX	0.8	B7RETC	B7RETI	B7RETIP
CORTINA	3.0 XR-6,GHIA,GL,S,GLS	3000	1977->1983	6	ESSEX	0.8	B6RETC	B6RETI	B6RETIP
COURIER	1.6 L	1600	1986->1991	4	F6	0.8	B5RETC	B5RETI	B5RETIP
COURIER	1.8 H	1800	1991->2000	4	F8	0.8	B6RETC	B6RETI	B6RETIP
COURIER	2.0 LWB	2000	1986->1991	4	FE	0.8	B5RETC	B5RETI	B5RETIP
COURIER	2.2 LE	2200	1991->2000	4	F2	0.8	BK6RETC	BK6RETI	BK6RETIP
COURIER	3.0 V6	3000	1986->1996	6	ESSEX	0.8	B7RETC	B7RETI	B7RETIP
COURIER	3.4 V6	3400	1997->2000	6	ESSEX	1.1	B7RETC	B7RETI	B7RETIP
ECOSPORT	1.0 T	1000	2014->	3	M1JC	0.7	LDT8REFCA	LDT8REFIA	LDT8REFIPA
ECOSPORT	1.5 T	1500	2014->	4	14MY DURATEC	0.8	LBT6REFTC	LBT6REFTI	LBT6REFTIP
ESCORT	1.3 GL,XR-3,SPORT	1300	1981->1986	4	CVH	0.8	BK6ETC	BK6ETI	BK6ETIP
ESCORT	1.3 L	1300	1971->1981	4	KENT	0.8	B6RETC	B6RETI	B6RETIP
ESCORT	1.4 16V	1400	1995->2000	4	CVH/PTE	0.8	BK6RETC	BK6RETI	BK6RETIP
ESCORT	1.6 GL GLE16V	1600	1995->2000	4	ZETEC	1.3	BT5REFTC	BT5REFTI	BT5REFTIP
ESCORT	1.6 XR-3,GLE,L	1600	1983->1986	4	CVH	0.8	BK6ETC	BK6ETI	BK6ETIP
ESCORT	1.8 GLI 16V	1800	1995->1998	4	ZETEC	1.3	BT5REFTC	BT5REFTI	BT5REFTIP
ESCORT	2.0 RS	2000	1978->1980	4	KOLN	0.8	A6FSTC	A6FSTI	A6FSTIP
EXPLORER	4.0 V6	4000	2003->	6	EFI SOHC	1.3	BT6REFTC	BT6REFTI	BT6REFTIP
EXPLORER	4.0 XLT V6	4000	2009->	6	EFI	1.5	BT5REFTC	BT5REFTI	BT5REFTIP

A B C D E F G H I J K L M N O P Q R S T U V W X Y Z VEHICLE MODEL MATCHING TABLE

A
B
C
D
E
F
G
H
I
J
K
L
M
N
O
P
Q
R
S
T
U
V
W
X
Y
Z
VEHICLE MODEL MATCHING TABLE

Model	Type	Capacity	Year	Cyl	Engine	Gap	TAKUMI-Classic*	TAKUMI-Super*	TAKUMI-XSuper*
EXPLORER SPORT	4.0 XLT V6	4000	2006->	6	KFI	0.8	BT7REFTC	BT7REFTI	BT7REFTIP
F100	3.9 L	3900	1966->1981	6		0.8	A6FSTC	A6FSTI	A6FSTIP
F150	4.6 XL V8	4600	2006->2009	8	WFI	1.3	BT6REFTC	BT6REFTI	BT6REFTIP
F150	4.6 XL V8	4600	2009->	8	8FI	1.1	LDT6REFCA	LDT6REFIA	LDT6REFIPA
F150	5.4 XI SUPERCHARGED	5300	2001->	8	3FI	1.1	BK6RETC	BK6RETI	BK6RETIP
F150	5.4 XL	5400	2009->	8	V8V	1.1	LDT6REFCA	LDT6REFIA	LDT6REFIPA
F150	6.2 I	6200	2014->	8		1.1	LBT6REFTC	LBT6REFTI	LBT6REFTIP
F250	4.2 SE V6	4200	2005->	6		1	BT5REFC	BT5REFI	BT5REFIP
F250	4.6 SE V6	4600	2005->	6		1.3	BT6REFTC	BT6REFTI	BT6REFTIP
F250	4.9 V8 LCV	4900	1966->1981	8		0.8	A6FSTC	A6FSTI	A6FSTIP
F250	5.4 XI V8	5400	2000->	8		1.5	BT5REFTC	BT5REFTI	BT5REFTIP
F250	5.4 XL V8	5400	2009->	8	5 FI	1.1	LDT6REFCA	LDT6REFIA	LDT6REFIPA
F250	6.8 XL	6800	2009->	10	V10 YFI	1.1	LDT6REFCA	LDT6REFIA	LDT6REFIPA
F350	4.2 V6	4200	2005->	6		1	BT5REFC	BT5REFI	BT5REFIP
F350	4.9 V8 LCV	4900	1974->1981	8		0.8	A6FSTC	A6FSTI	A6FSTIP
FAIRMONT	4.0 L VR6	4000	2003->	8		1.1	B5RETC	B5RETI	B5RETIP
FALCON	4.0 FUTURA,FAIRMONT	4000	1995->	6	INLINE	1.1	B5RETC	B5RETI	B5RETIP
FALCON	4.0 XR6	4000	1995->	6	INLINE	1.1	B6REAC	B6REAI	B6REAIIP
FALCON	5.0 XR8	5000	1991->	8	EB,ED,EF	1.5	BT5RFSTC	BT5RFSTI	BT5RFSTIP
FIESTA	1.0 T	1000	2013->	3	M1JE	0.7	LDT8REFCA	LDT8REFIA	LDT8REFIPA
FIESTA	1.0 T	1000	2013->	3	SFJA/SFJB	0.7	LDT8REFCA	LDT8REFIA	LDT8REFIPA
FIESTA	1.3 FUN,FLAIR	1300	1997->1998	4	HCS ENDURA	0.8	BT5RFSTC	BT5RFSTI	BT5RFSTIP
FIESTA	1.3 L	1300	2002->	4	ROCAM	1	BT6REFTC	BT6REFTI	BT6REFTIP
FIESTA	1.3 L	1300	2004->	4	DURATEC	1.3	BT5REFTC	BT5REFTI	BT5REFTIP
FIESTA	1.4 16V	1400	2001->	4	FXJB DURATEC	1.3	BT5REFTC	BT5REFTI	BT5REFTIP
FIESTA	1.4 FUN,FLAIR,FLITE	1400	1998->	4	CVH	0.8	BK6RETC	BK6RETI	BK6RETIP
FIESTA	1.4 I	1400	2008->	4	SPJA/SPJC	0.8	BT5REFTC	BT5REFTI	BT5REFTIP
FIESTA	1.5 ST	2000	2004->	4	DURATEC HE	1.3	BT6REFTC	BT6REFTI	BT6REFTIP
FIESTA	1.6 16V WS	1600	2001->2009	4	FYJA DURATEC	1.3	BT5REFTC	BT5REFTI	BT5REFTIP
FIESTA	1.6 I	1600	2010->	4	U5JA	1.3	BT6REFTC	BT6REFTI	BT6REFTIP
FIESTA	1.6 SPORT,RSI	1600	1999->	4	ROCAM	1.3	BT6REFTC	BT6REFTI	BT6REFTIP
FIESTA	1.6 ST	1600	2014->	4	JTDA/JTDB		LBT6REFHC	LBT6REFHI	LBT6REFHIP
FIESTA	1.6 TI-VCT	1600	2011->	4	PNDA	1.3	BT5REFTC	BT5REFTI	BT5REFTIP
FIGO	1.4 I	1400	2011->	4	DURATEC	1.3	BT5REFTC	BT5REFTI	BT5REFTIP
FIGO	1.5 I	1500	2015->	4			BT5REFTC	BT5REFTI	BT5REFTIP
FIGO	1.6 I	1600	2011->	4	DURATEC	1.3	BT5REFTC	BT5REFTI	BT5REFTIP
FOCUS	1.0 T ECOBOOST	1000	2012->	3	M1DA	0.7	LDT8REFCA	LDT8REFIA	LDT8REFIPA
FOCUS	1.5 T	1500	2015->	4	M9DA	0.7	LBT8REFTC	LBT8REFTI	LBT8REFTIP
FOCUS	1.6 C-MAX	1600	2004->	4	DURATEC	1.3	BT5REFTC	BT5REFTI	BT5REFTIP
FOCUS	1.6 I	1600	2003->	4	DURATEC HWDA	1.3	BT5REFTC	BT5REFTI	BT5REFTIP
FOCUS	1.6 I	1600	2011->	4	PNDA	1.3	BT5REFTC	BT5REFTI	BT5REFTIP
FOCUS	1.6 L	1600	1995->	4	Z6	1.1	BK5RETC	BK5RETI	BK5RETIP
FOCUS	1.7 ST	2000	2003->	4	ZH20	1.3	BT5REFTC	BT5REFTI	BT5REFTIP
FOCUS	1.8 C-MAX	1800	2003->	4	DURATEC-HE CSDA CSDB	1.3	BT6REFTC	BT6REFTI	BT6REFTIP
FOCUS	1.8 I	1800	2003->	4	DURATEC SCDA,SCDB	1.3	BT6REFTC	BT6REFTI	BT6REFTIP
FOCUS	1.8 I	1800	2006->	4	QQDA DURATEC	1.3	BT6REFTC	BT6REFTI	BT6REFTIP
FOCUS	1.8 I	1800	2006->	4	QQDD DURATEC	1.3	BT6REFTC	BT6REFTI	BT6REFTIP
FOCUS	2.0 16V	2000	1998->	4	ZETEC	1.3	BT5REFTC	BT5REFTI	BT5REFTIP
FOCUS	2.0 16V	2000	2004->	4	DURATEC	1.3	BT6REFTC	BT6REFTI	BT6REFTIP
FOCUS	2.0 16V	2000	2006->	4	SYDA DURATEC	1.3	BT6REFTC	BT6REFTI	BT6REFTIP
FOCUS	2.0 16V	2000	2009->	4	DURATEC-HE SFI	1.3	BT6REFTC	BT6REFTI	BT6REFTIP
FOCUS	2.0 C-MAX	2000	2004->	4	AODA AODB	1.3	BT6REFTC	BT6REFTI	BT6REFTIP
FOCUS	2.0 GDI	2000	2011->2015	4	TPWA	0.8	LBT6REFTC	LBT6REFTI	LBT6REFTIP
FOCUS	2.0 I	2000	2011->	4	XQDA	0.9	LBT6REFTC	LBT6REFTI	LBT6REFTIP
FOCUS	2.0 ST	2000	2012->	4	R9DA	0.8	LBT6REFTC	LBT6REFTI	LBT6REFTIP
FOCUS	2.0 ST 170	2000	2004->	4	ALDA DURETEC	0.8	LBT6REFTC	LBT6REFTI	LBT6REFTIP
FOCUS	2.3 RS	2300	2012->	4	C23HDOD	0.8	LBT6REFTC	LBT6REFTI	LBT6REFTIP
FOCUS	2.3 ST	2300	2005->2006	4	DURATEC L4Z	1.3	BT6REFTC	BT6REFTI	BT6REFTIP
FOCUS	2.5 RS	2500	2010->	5	JZDA	0.8	LBK6RETC	LBK6RETI	LBK6RETIP
FOCUS	2.5 ST	2500	2006->	5	B5254T4 HYDA DURATEC	0.8	LBK6RETC	LBK6RETI	LBK6RETIP
FUSION	1.4 I	1400	2002->	4	FXJA/ FXJB	1.3	BT5REFTC	BT5REFTI	BT5REFTIP
FUSION	1.5 T	1500	2014->	4	M9MA	0.7	LBT8REFTC	LBT8REFTI	LBT8REFTIP
FUSION	1.6 I	1600	2002->	4	FYJA/ FYJB	1.3	BT5REFTC	BT5REFTI	BT5REFTIP
FUSION	2.0 ECOBOOST	2000	2014->	4	R9CB	0.8	LBT6REFTC	LBT6REFTI	LBT6REFTIP
FUSION	2.0 ECOBOOST	2000	2015->	4	TNCD	0.8	LBT6REFTC	LBT6REFTI	LBT6REFTIP
FUSION	2.0 ECOBOOST TITANIUM	2000	2015->	4	R9CH	0.8	LBT6REFTC	LBT6REFTI	LBT6REFTIP
GALAXY	2.0 I	2000	1995->	4	NSE	0.8	BK8RETC	BK8RETI	BK8RETIP
GRANADA	2.0 GL, GLE	2000	1978->1985	4	KOLN	0.8	A6FSTC	A6FSTI	A6FSTIP
GRANADA	3.0 GHIA	3000	1978->1986	6	ESSEX	0.8	B6RETC	B6RETI	B6RETIP
GRANADA	3.0 GLE	3000	1978->1986	6	ESSEX	0.8	B6RETC	B6RETI	B6RETIP
HUSKY	1.8 1TON PICKUP	1800	1985->1987	4	4G62	0.8	B5RETC	B5RETI	B5RETIP
HUSKY	2.0 PANEL VAN,PICK-UP,BUS	2000	1986->1990	4	4G63	0.8	B6RETC	B6RETI	B6RETIP

Model	Type	Capacity	Year	Cyl	Engine	Gap	TAKUMI-Classic*	TAKUMI-Super*	TAKUMI-XSuper*
IKON	1.3 I	1300	2002->	4	ROCAM	1.3	BT5REFTC	BT5REFTI	BT5REFTIP
IKON	1.4 16V	1400	2008->	4	FXJB	1.3	BT5REFTC	BT5REFTI	BT5REFTIP
IKON	1.6 I	1600	2002->	4	ROCAM	1	BT6REFTC	BT6REFTI	BT6REFTIP
KA	1.2 I	1200	2008->	4	FP4	1	DC7REAC	DC7REAI	DC7REAIIP
KA	1.3 I	1300	2003->	4	DURATEC/ROCAM	1.3	BT5REFTC	BT5REFTI	BT5REFTIP
KA	1.3 I	1300	2003->	4	ENDURA	1.3	BT5REFTC	BT5REFTI	BT5REFTIP
KA	1.6 SPORTKA	1600	2003->	4	DURATEC/ROCAM	1.3	BT5REFTC	BT5REFTI	BT5REFTIP
KA	1.6 STRETKA	1600	2003->2005	4	DURATEC	1.3	BT5REFTC	BT5REFTI	BT5REFTIP
KUGA	1.5 T	1500	2014->	4	M9MA	0.7	LBT8REFTC	LBT8REFTI	LBT8REFTIP
KUGA	1.6 ECO BOOST	1600	2012->	4	JQM	0.8	LBT6REFHC	LBT6REFHI	LBT6REFHIP
KUGA	1.6 ECO BOOST	1600	2012->	4	JTM	0.8	LBT6REFHC	LBT6REFHI	LBT6REFHIP
KUGA	2.5 TURBO	2500	2011->	5	DURATEC	0.8	LBK6RETC	LBK6RETI	LBK6RETIP
LASER	1.3 L, GL	1300	1986->1989	4	E3	0.8	B5RETC	B5RETI	B5RETIP
LASER	1.3 TRACER	1300	1991->1995	4	B3	0.8	B5RETC	B5RETI	B5RETIP
LASER	1.4 L, LX	1400	1989->1992	4	CVH	0.8	BK6ETC	BK6ETI	BK6ETIP
LASER	1.4 S	1400	1989->1992	4	CVH	0.8	BK6RETC	BK6RETI	BK6RETIP
LASER	1.5 GL, GLS	1500	1986->1989	4	E5, B5, SPORT	0.8	B5RETC	B5RETI	B5RETIP
LASER	1.6 GL, GLE, SPORT	1600	1989->1992	4	CVH	0.8	BK6ETC	BK6ETI	BK6ETIP
LASER	1.6 I SPORT, TX3, TRACER	1600	1986->1996	4	B6	0.8	B6RETC	B6RETI	B6RETIP
LASER	1.6 L	1600	1989->1992	4	CVH	0.8	BK6RETC	BK6RETI	BK6RETIP
LASER	2.0 I RS 16V	2000	1991->1994	4	FE-EGI T/C	0.8	BK6RETC	BK6RETI	BK6RETIP
METEOR	1.3 GL	1300	1986->1991	4	E3	0.8	B5RETC	B5RETI	B5RETIP
METEOR	1.3 TRACER	1300	1991->	4	B3	0.8	B6RETC	B6RETI	B6RETIP
METEOR	1.4 L	1400	1989->	4	CVH	0.8	BK6RETC	BK6RETI	BK6RETIP
METEOR	1.5 GL, GLS	1500	1986->1989	4	E5 + B5	0.8	B5RETC	B5RETI	B5RETIP
METEOR	1.6 GLI	1600	1986->1989	4	B6	0.8	B6RETC	B6RETI	B6RETIP
METEOR	1.6 L	1600	1989->1992	4	CVH	0.8	BK6ETC	BK6ETI	BK6ETIP
METEOR	2.0 GLE 8V	2000	1991->1994	4	FE-EGI T/C	0.8	BK6RETC	BK6RETI	BK6RETIP
METEOR	2.0 GLI 16V	2000	1991->1994	4	FE-EGI T/C	0.8	BK6RETC	BK6RETI	BK6RETIP
MONDEO	1.8 I LX	1800	1998->2000	4	ZETEC	1.3	BT5REFTC	BT5REFTI	BT5REFTIP
MONDEO	2.0 16V	2000	2009->	4	DURATEC-HE	1.3	BT6REFTC	BT6REFTI	BT6REFTIP
MONDEO	2.0 CLX	2000	1998->2000	4	ZETEC	1.3	BT5REFTC	BT5REFTI	BT5REFTIP
MONDEO	2.0 I	2000	2000->	4	DURATEC	1.3	BT6REFTC	BT6REFTI	BT6REFTIP
MONDEO	2.3 TI-VCT	2300	2007->	5	SEBA DURATEC	1.3	LBT5REFTC	LBT5REFTI	LBT5REFTIP
MONDEO	2.5 SI V6	2500	1998->2000	6	DURATEC	0.8	BT5RFSTC	BT5RFSTI	BT5RFSTIP
MONDEO	3.0 ST220	3000	2003->	6	DURATEC	1.3	BT6REFTC	BT6REFTI	BT6REFTIP
MUSTANG	2.3 T ECOBOOST	2300	2014->	4	C23HDOD	0.8	LBT6REFTC	LBT6REFTI	LBT6REFTIP
RANCHERO	4.0 OUTBACK, GLI	4000	1997->1998	6	INLINE	1.1	B5RETC	B5RETI	B5RETIP
RANCHERO	4.0 XR6	4000	1997->1998	6	INLINE	1.1	B6REAC	B6REAI	B6REAIIP
RANCHERO	4.1 XR6	4100	1986->	6		0.8	A6FSTC	A6FSTI	A6FSTIP
RANCHERO	4.9 V8	4900	1988->	8		0.8	BT6FSTC	BT6FSTI	BT6FSTIP
RANGER	1.8 I	1800	2000->	4	F8	0.8	B5RETC	B5RETI	B5RETIP
RANGER	2.2 12V	2200	2007->	4	F2 EFI	0.8	B5RETC	B5RETI	B5RETIP
RANGER	2.2 12V CARB	2200	2000->2006	4	F2	0.8	BK6RETC	BK6RETI	BK6RETIP
RANGER	2.2 I	2200	2012->	4		1.3	LBT5REFTC	LBT5REFTI	LBT5REFTIP
RANGER	2.3 XLT	2300	2009->	4	DFI	1.3	BT6REFTC	BT6REFTI	BT6REFTIP
RANGER	2.5 I	2500	2009->	4	DPAT	1.3	LBT6REFTC	LBT6REFTI	LBT6REFTIP
RANGER	2.5 XL	2500	2009->	4	DFI	1.3	BT6REFTC	BT6REFTI	BT6REFTIP
RANGER	2.5 XL	2500	2013->	4		1.3	LBT5REFTC	LBT5REFTI	LBT5REFTIP
RANGER	2.6 L 12V	2600	1999->	4		0.8	BK5RETC	BK5RETI	BK5RETIP
RANGER	4.0 V6	4000	2003->	6		1.3	BT6REFTC	BT6REFTI	BT6REFTIP
RANGER	4.0 XL	4000	2006->	6	EFI	1.3	BT6REFTC	BT6REFTI	BT6REFTIP
SAPPHIRE	1.6 L	1600	1989->1991	4	KENT	0.8	B6RETC	B6RETI	B6RETIP
SAPPHIRE	2.0 GL, GLE	2000	1989->1993	4	KOLN	0.8	A6RFSTC	A6RFSTI	A6RFSTIP
SAPPHIRE	2.0 I GLI, EXEC	2000	1989->1993	4	KOLN	0.8	A6RFSTC	A6RFSTI	A6RFSTIP
SAPPHIRE	3.0 GHIA	3000	1991->1993	6	ESSEX	0.8	B7RETC	B7RETI	B7RETIP
SAPPHIRE	3.0 GLX	3000	1989->1993	6	ESSEX	0.8	B7RETC	B7RETI	B7RETIP
SIERRA	1.6 GL	1600	1983->1989	4	KENT	0.8	B6RETC	B6RETI	B6RETIP
SIERRA	2.0 GL, LX	2000	1983->1993	4	KOLN	0.8	A6FSTC	A6FSTI	A6FSTIP
SIERRA	2.3 GLE	2300	1983->1986	6	KOLN	0.8	B6RETC	B6RETI	B6RETIP
SIERRA	3.0 GLS	3000	1984->1989	6	ESSEX	0.8	B6RETC	B6RETI	B6RETIP
SIERRA	3.0 GLX	3000	1989->1993	6	ESSEX	0.8	B7RETC	B7RETI	B7RETIP
SIERRA	3.0 I RS	3000	1991->1993	6	ESSEX	0.8	B7RETC	B7RETI	B7RETIP
SIERRA	3.0 XR-6	3000	1989->1992	6	ESSEX	0.8	B7RETC	B7RETI	B7RETIP
SPECTRON	2.2 BUS	2200	1991->1996	4	F2	0.8	BK6RETC	BK6RETI	BK6RETIP
TELSTAR	2.0 GLI, V6	2000	1993->1996	6	KF	1.1	BK6RETC	BK6RETI	BK6RETIP
TELSTAR	2.0 GL, GLE	2000	1993->1997	4	FS	1.1	BK6RETC	BK6RETI	BK6RETIP
TELSTAR	2.5 GHIA TX5 V6	2500	1993->1996	6	KL	1.1	BK6RETC	BK6RETI	BK6RETIP
TERRITORY	4.0 I	4000	2002->	6	VCT BARRA	1.3	BK5RETC	BK5RETI	BK5RETIP
TOURNEO CONNECT	1.0 T ECOBOOST	1000	2013->	3	M2GA	0.7	LDT8REFCA	LDT8REFIA	LDT8REFIPA
TOURNEO CONNECT	1.6 T ECOBOOST	1600	2013->	4	JQJA	0.8	LBT6REFHC	LBT6REFHI	LBT6REFHIP

A
B
C
D
E
F
G
H
I
J
K
L
M
N
O
P
Q
R
S
T
U
V
W
X
Y
Z
VEHICLE MODEL MATCHING TABLE

A
B
C
D
E
F
G
H
I
J
K
L
M
N
O
P
Q
R
S
T
U
V
W
X
Y
Z
VEHICLE MODEL MATCHING TABLE

Model	Type	Capacity	Year	Cyl	Engine	Gap	TAKUMI-Classic*	TAKUMI-Super*	TAKUMI-XSuper*
TRANSIT	1.8 L	1800	2002->	4	EYPC ZETEC-E	1.3	BT5REFTC	BT5REFTI	BT5REFTIP
TRANSIT	1.8 S	1800	2002->	4	EYPA ZETEC-E	1.3	BT5REFTC	BT5REFTI	BT5REFTIP
TRITON	2.6 SWB	2600	1985->1986	4	4G54	0.8	B6RETC	B6RETI	B6RETIP
HONDA									
ACCORD	2.0 E	2000	2004->	4	K20A6	1.1	BK6REAC	BK6REAI	BK6REAIIP
ACCORD	2.0 VTEC	2000	2008->	4	R20A3	1.1	BK6REAC	BK6REAI	BK6REAIIP
ACCORD	2.2 TURBO	2200	1999->2003	4	H22A7	1.1	BK5REAC	BK5REAI	BK5REAIIP
ACCORD	2.3 VTEC	2300	2003->	4	H23A3	1.1	BK6REAC	BK6REAI	BK6REAIIP
ACCORD	2.4 EX-L	2400	2009->	4	K24Z3 FI	1.1	LDK7RTC	LDK7RTI	LDK7RTIP
ACCORD	2.4 VTEC	2400	2003->	4	K24A3	1.1	BK6REAC	BK6REAI	BK6REAIIP
ACCORD	2.4 VTEC	2400	2007->	4	K24A8	1.1	BK6REAC	BK6REAI	BK6REAIIP
ACCORD	2.4 VTEC	2400	2013->	4	K24W3	1.1	LDK7RTC	LDK7RTI	LDK7RTIP
ACCORD	3.0 LX	3000	1998->	6	J30A1	1.1	BK5REAC	BK5REAI	BK5REAIIP
ACCORD	3.0 V6	3000	2006->2007	6	FI	1.1	BK5REAC	BK5REAI	BK5REAIIP
ACCORD	3.5 EX-L	3500	2009->	6	J35Z2 FI	1.1	LDK7RTC	LDK7RTI	LDK7RTIP
BALLADE	1.3 L	1300	1984->1989	4	EV2	1.1	B6RETC	B6RETI	B6RETIP
BALLADE	1.3 SX	1300	1982->1985	4	EN4	0.8	B6RETC	B6RETI	B6RETIP
BALLADE	1.5 FI	1500	1989->1992	4	D15B8	1.1	BK6RETC	BK6RETI	BK6RETIP
BALLADE	1.5 FI	1500	1992->1996	4	D15B3	1.1	BK6RETC	BK6RETI	BK6RETIP
BALLADE	1.5 I	1500	1985->1989	4	EW2	1.1	B6RETC	B6RETI	B6RETIP
BALLADE	1.5 I	1500	2012->	4	L15A	1.3	BK6REAC	BK6REAI	BK6REAIIP
BALLADE	1.5 L	1500	1984->1989	4	D15Z4	1.1	BK6RETC	BK6RETI	BK6RETIP
BALLADE	1.6 DOHC	1600	1992->	4	D16A9	1.1	BK6RETC	BK6RETI	BK6RETIP
BALLADE	1.6 SOHC	1600	1989->1992	4	D16A7	1.1	BK6RETC	BK6RETI	BK6RETIP
BALLADE	1.6 VTEC	1600	1996->2000	4	D16A1	1.1	BK6RETC	BK6RETI	BK6RETIP
BALLADE	1.6 IE	1600	1992->1994	4	D16Z6	1.1	BK6RETC	BK6RETI	BK6RETIP
BALLADE	1.6 SE	1600	1996->2000	4	D16 Y9	1.1	BK6RETC	BK6RETI	BK6RETIP
BALLADE	1.8 E	1800	1994->1996	4	B18B3	1.1	BK6RETC	BK6RETI	BK6RETIP
BALLADE	1.8 I	1800	1994->1996	4	B18C4	1.1	BK6RETC	BK6RETI	BK6RETIP
BALLADE	1.8 I	1800	1999->	4	B18B4	1.1	BK5RETC	BK5RETI	BK5RETIP
BRIO	1.2 I	1200	2013->	4	L12	1.1	BK6RETC	BK6RETI	BK6RETIP
BRV	1.5 I	1600	2016->	4	L15Z2	1.3	BK6RETC	BK6RETI	BK6RETIP
CIVIC	1.4 VTEC	1400	2012->	4	L13Z4	1.3	BK6REAC	BK6REAI	BK6REAIIP
CIVIC	1.5 VTEC	1500	2001->	4	D15Z6	1.1	BK6RETC	BK6RETI	BK6RETIP
CIVIC	1.5 16V	1500	1996->2000	4	D15Z6	1.1	BK6RETC	BK6RETI	BK6RETIP
CIVIC	1.5 I	1500	2001->	4	VTI	1.1	BK6RETC	BK6RETI	BK6RETIP
CIVIC	1.6 VTEC	1600	1996->2000	4	B16A1	1.1	BK6RETC	BK6RETI	BK6RETIP
CIVIC	1.6 I	1600	1989->1992	4	D16A7	1.1	BK6RETC	BK6RETI	BK6RETIP
CIVIC	1.6 I	1600	1996->2000	4	D16Y6	1.1	BK6RETC	BK6RETI	BK6RETIP
CIVIC	1.6 I	1600	2001->	4	D16V1	1.1	BK6REAC	BK6REAI	BK6REAIIP
CIVIC	1.6 VTEC	1600	2012->	4	R16B	1.1	LDK7RAC	LDK7RAI	LDK7RAIP
CIVIC	1.7 VTEC	1700	2001->2005	4	D17A6	1.1	BK6REAC	BK6REAI	BK6REAIIP
CIVIC	1.8 VTEC	1800	2001->	4	B18C4	1.1	BK6RETC	BK6RETI	BK6RETIP
CIVIC	1.8 I	1800	2006->	4	R18A1	1.1	BK6REAC	BK6REAI	BK6REAIIP
CIVIC	1.8 I-VTEC	1800	2012->	4	R18Z1	1.1	LDK7RAC	LDK7RAI	LDK7RAIP
CIVIC	2.0 I-VTEC R	2000	2017->	4	K20C1	0.8	LDA8RAC	LDA8RAI	LDA8RAIP
CIVIC	2.0 SI	2000	2009->	4	K20Z4	1.1	BK7RETC	BK7RETI	BK7RETIP
CIVIC	2.0 TYPE-R	2000	2001->2006	4	K20A2	1.1	BK7RETC	BK7RETI	BK7RETIP
CIVIC	2.0 TYPE R FN2	2000	2007->	4	K20Z4	1.1	BK7RETC	BK7RETI	BK7RETIP
CIVIC	2.0 VTEC R	2000	2015->	4	K20C1	0.8	LDA8RAC	LDA8RAI	LDA8RAIP
CIVIC	2.0 SI	2000	2011->	4	K20Z3	1.1	BK7RETC	BK7RETI	BK7RETIP
CR-Z	1.5 ELECTRIC	1500	2011->	4	LEA1	1.3	BK6RETC	BK6RETI	BK6RETIP
CRV	1.5 T	1500	2017->	4		0.8	LDA8RAC	LDA8RAI	LDA8RAIP
CRV	2.0 I	2000	1997->1999	4	DOHC	1.1	BK5REAC	BK5REAI	BK5REAIIP
CRV	2.0 RE5	2000	2007->	4	R20A2	1.1	BK6REAC	BK6REAI	BK6REAIIP
CRV	2.0 RE5	2000	2007->	4	R20A2	1.1	BK6REAC	BK6REAI	BK6REAIIP
CRV	2.0 SE	2000	2002->	4	K20A4	1.1	BK6REAC	BK6REAI	BK6REAIIP
CRV	2.0 S,LS,ES	2000	2000->	4	B20Z1	1.1	BK6REAC	BK6REAI	BK6REAIIP
CRV	2.0 VTEC	2000	2003->	4	K20A4	1.1	BK6REAC	BK6REAI	BK6REAIIP
CRV	2.4 FI	2400	2007->	4	K24Z1	1.1	BK6REAC	BK6REAI	BK6REAIIP
CRV	2.4 VTEC	2400	2009->	4	K24Z1	1.1	BK6REAC	BK6REAI	BK6REAIIP
CRX	1.6 I	1600	1987->1989	4	D16A9	1.1	BK6RETC	BK6RETI	BK6RETIP
ELEMENT	2.4 FI	2400	2007->	4	K24A4	1.1	BK6REAC	BK6REAI	BK6REAIIP
FRV	1.7 VTEC	1700	2005->	4	D17A2	1.1	BK6REAC	BK6REAI	BK6REAIIP
FRV	1.8 VTEC	1800	2007->	4	R18A1	1.1	BK6REAC	BK6REAI	BK6REAIIP
FRV	2.0 VTEC	2000	2005->	4	K20A9	1.1	BK6REAC	BK6REAI	BK6REAIIP
HRV	1.6 SX	1600	2001->	4	D16W1	1.1	BK6REAC	BK6REAI	BK6REAIIP
INSIGHT	1.3 ELECTRIC	1300	2010->	4	LDA3	1.1	LBK6RETC	LBK6RETI	LBK6RETIP
INTEGRA	2.0 TYPE R	2000	2002->	4	K20A	1.1	BK7RETC	BK7RETI	BK7RETIP
JAZZ	1.2 I	1200	2008->	4	L12B1	1.3	BK6RETC	BK6RETI	BK6RETIP
JAZZ	1.3 ELECTRIC	1300	2012->	4	LDA3	1.1	LBK6RETC	LBK6RETI	LBK6RETIP
JAZZ	1.3 I	1300	2006->	4	L13A6	1.1	BK6RETC	BK6RETI	BK6RETIP

Model	Type	Capacity	Year	Cyl	Engine	Gap	TAKUMI-Classic*	TAKUMI-Super*	TAKUMI-XSuper*
JAZZ	1.3 I	1300	2009->	4	SOHC	1.3	BK6REAC	BK6REAI	BK6REAIIP
JAZZ	1.4 HYBRID	1400	2011->	4	LDA3	1.1	LBK6RETC	LBK6RETI	LBK6RETIP
JAZZ	1.4 I	1400	2002->	4	L13A1	1.1	BK6RETC	BK6RETI	BK6RETIP
JAZZ	1.4 I	1400	2006->	4	L13A6	1.1	BK6RETC	BK6RETI	BK6RETIP
JAZZ	1.4 I	1400	2009->	4	L13Z1	1.3	BK6REAC	BK6REAI	BK6REAIIP
JAZZ	1.4 I DSI TWIN-SPARK	1400	2003->	4	L13Z1	1.1	BK6RETC	BK6RETI	BK6RETIP
JAZZ	1.5 I	1500	2006->	4	L15A	1.1	BK6REAC	BK6REAI	BK6REAIIP
MOBILIO	1.5 I	1500	2014->	4	L15A	1.3	BK6RETC	BK6RETI	BK6RETIP
ODYSSEY	2.3 I	2300	1998->1999	4	H23A2	1.1	BK6REAC	BK6REAI	BK6REAIIP
ODYSSEY	2.4 I 16V	2400	2000->	4		1.1	BK6REAC	BK6REAI	BK6REAIIP
ODYSSEY	3.5 I	3500	2007->	6	J35A7	1.1	BK6REAC	BK6REAI	BK6REAIIP
PRELUDE	1.8 EX	1800	1984->1987	4	ET	0.8	B6RETC	B6RETI	B6RETIP
PRELUDE	2.0 16V	2000		4	B20A7	1.1	BK6RETC	BK6RETI	BK6RETIP
PRELUDE	2.2 16V	2200		4	F22A	1.1	BK6REAC	BK6REAI	BK6REAIIP
PRELUDE	2.2 VTEC	2200	1997->2000	4	H22A5	1.1	BK5REAC	BK5REAI	BK5REAIIP
S2000	2.0 VTEC	2000	2000->2002	4	F20C1	1.1	BK7RETC	BK7RETI	BK7RETIP
S2000	2.2 VTEC	2200	2007->	4	F22C1	1.1	BK7RETC	BK7RETI	BK7RETIP
STREAM	1.7 VTEC	1700	2001->	4	D17A2	1.1	BK6REAC	BK6REAI	BK6REAIIP
HYUNDAI									
ACCENT	1.3 G	1300	1999->2006	4	G4EA	1.1	BK5RETC	BK5RETI	BK5RETIP
ACCENT	1.3 XS, LS	1300	1996->1999	4	G4EH	1.1	BK5RETC	BK5RETI	BK5RETIP
ACCENT	1.5 CSI, RSI	1500	1994->1999	4	G4EB	1.1	BK5RETC	BK5RETI	BK5RETIP
ACCENT	1.5 SX	1500	2000->2006	4	G4EB	1.1	BK5RETC	BK5RETI	BK5RETIP
ACCENT	1.6 I	1600	2012->	4	G4FC	1	LDK6RTC	LDK6RTI	LDK6RTIP
ACCENT	1.6 LX	1600	2006->	4	G4ED	1.1	BK5RETC	BK5RETI	BK5RETIP
ATOS	1.0 PRIME	1000	2001->	4	G4HC	1.1	BK5RETC	BK5RETI	BK5RETIP
ATOS	1.1 PRIME	1100	2005->	4	G4HG	1.1	BK5RETC	BK5RETI	BK5RETIP
AZERA	3.3 V6	3300	2006->	6	G6DB	1.1	BK5RETC	BK5RETI	BK5RETIP
ELANTRA	1.5 I	1500	1995->2005	4	G4EK, G4EB	1.1	BK5RETC	BK5RETI	BK5RETIP
ELANTRA	1.6 CVVT	1600	2010->	4	G4FC	1	LDK6RTC	LDK6RTI	LDK6RTIP
ELANTRA	1.6 GL	1600	2008->	4	G4GA	1.1	BK5REAC	BK5REAI	BK5REAIIP
ELANTRA	1.6 GLS	1600	2007->	4	G4GA	0.8	BK5RETC	BK5RETI	BK5RETIP
ELANTRA	1.6 GLS EXEC.	1600	1993->1995	4	J1 G4DNR	0.8	B6RETC	B6RETI	B6RETIP
ELANTRA	1.6 GL, GLS EXEC.	1600	1996->	4	J2 G4DR	0.8	BK5RETC	BK5RETI	BK5RETIP
ELANTRA	1.6 I	1600	2012->	4	G4FC	1	LDK6RTC	LDK6RTI	LDK6RTIP
ELANTRA	1.8 CVVT	1800	2011->2012	4	L4	1.1	LDK6RAC	LDK6RAI	LDK6RAIP
ELANTRA	1.8 CVVT	1800	2013->	4	L4	1.1	LDK7RAC	LDK7RAI	LDK7RAIP
ELANTRA	1.8 GLI	1800	1996->	4	J2 G4DR	0.8	BK5RETC	BK5RETI	BK5RETIP
ELANTRA	1.8 GLS	1800	1994->	4	J1 G4DN	0.8	B6RETC	B6RETI	B6RETIP
ELANTRA	1.8 GLS	1800	1996->	4	J2 G4DN	0.8	BK5RETC	BK5RETI	BK5RETIP
ELANTRA	2.0 GLS	2000	2003->	4	G4FG	1.1	BK5RETC	BK5RETI	BK5RETIP
ELANTRA	2.0 GS	2000	2008->	4	G4GC	0.8	BK5RETC	BK5RETI	BK5RETIP
ELANTRA	2.0 TOURING	2000	2010->	4	G4GC	1.1	BK5RETC	BK5RETI	BK5RETIP
GENESIS	3.8 COUPE	3800	2008->	6	G6DA	1.1	LDK7RAC	LDK7RAI	LDK7RAIP
GETZ	1.3 I	1300	2004->2008	4	G4EA	1.1	BK5RETC	BK5RETI	BK5RETIP
GETZ	1.4 I	1400	2005->2008	4	G4EE	1.1	BK5RETC	BK5RETI	BK5RETIP
GETZ	1.6 GL	1600	2003->	4	G4ED	0.8	BK6RETC	BK6RETI	BK6RETIP
GETZ	1.6 HS	1600	2007->	4	G4ED	0.8	BK6RETC	BK6RETI	BK6RETIP
GRAND I10	1.25 I	1250	2012->	4	G4LA		LDK7RTC	LDK7RTI	LDK7RTIP
H1	2.4 I	2400	2008->	4	L4	1.1	LBK5RETC	LBK5RETI	LBK5RETIP
H100	2.4 I	2400	1997->	4		1.1	B6ETC	B6ETI	B6ETIP
SANTE FE	2.4 I	2400	2001->2005	4	G4JS-G	1.1	B5RETC	B5RETI	B5RETIP
SANTE FE	2.7 I	2700	2001->2005	6	G6BA-G	1.1	BK5RETC	BK5RETI	BK5RETIP
SONATA	2.0 GL, GLS	2000	1996->2000	4	G4CP-U	0.8	BK5RETC	BK5RETI	BK5RETIP
SONATA	2.0 GL	2000	1993->1998	4	G4CS	1.1	B6RETC	B6RETI	B6RETIP
SONATA	2.0 GL	2000	1998->2004	4	G4JP	1.1	B6RETC	B6RETI	B6RETIP
SONATA	2.0 GL, GLS	2000	1994->1996	4	G4CP	0.8	B6RETC	B6RETI	B6RETIP
SONATA	2.4 GL, GLS	2400	2006->	4	G4CS	1.1	BK5REAC	BK5REAI	BK5REAIIP
SONATA	2.4 I	2400	1989->	4	4G64	1.1	B6RETC	B6RETI	B6RETIP
SONATA	2.4 I	2400	1989->2001	4	G4KC	1.1	BK5RETC	BK5RETI	BK5RETIP
SONATA	2.4 I	2400	2010->	4	G4KE	1.1	LBK5RETC	LBK5RETI	LBK5RETIP
SONATA	2.4 L	2400	2008->	4	G4KC	1.1	LBK5RETC	LBK5RETI	LBK5RETIP
SONATA	2.5 VIVANTE	2500	1999->	6	G6BVW	1	BK5RETC	BK5RETI	BK5RETIP
SONATA	2.7 V6	2700	2003->2005	6	G6BA-G	1.1	BK6RETC	BK6RETI	BK6RETIP
SONATA	3.0 GLS	3000	1994->	6	G6ATR	0.8	B6RETC	B6RETI	B6RETIP
SONATA	3.3 V6	3300	2005->2008	6	G6DB	1.1	BK5RETC	BK5RETI	BK5RETIP
TERRACAN	3.5 V6	3500	2001->	6	G6CU	1.1	BK5RETC	BK5RETI	BK5RETIP
TIBURON	2.0 FL	2000	2006->	4	GS2 L4D	1.1	BK5RETC	BK5RETI	BK5RETIP
TIBURON	2.0 FX	2000	1996->	4	J2	1.1	BK5RETC	BK5RETI	BK5RETIP
TIBURON	2.7 GT V6	2700	2006->	6	F FI	1.1	BK5RETC	BK5RETI	BK5RETIP
TIBURON	2.7 V6	2700	2004->	6	G6BA-G	1.1	BK6RETC	BK6RETI	BK6RETIP
TRAJET	2.0 I	2000	2004->	4	G4JP-G	1.1	BK6RETC	BK6RETI	BK6RETIP

A B C D E F G H I J K L M N O P Q R S T U V W X Y Z VEHICLE MODEL MATCHING TABLE

Model	Type	Capacity	Year	Cyl	Engine	Gap	TAKUMI-Classic*	TAKUMI-Super*	TAKUMI-XSuper*
TRAJET	2.7 V6	2700	2004->	6	G6BA	1.1	BK5RETC	BK5RETI	BK5RETIP
TUCSON	2.0 16V	2000	2004->	4	G4GC	1.1	BK5RETC	BK5RETI	BK5RETIP
TUCSON	2.0 I	2000	2015->	4	G4NA	1.1	LDK7RAC	LDK7RAI	LDK7RAIP
TUCSON	2.0 I	2000	2015->	4	G4NC	1.1	LDK7RAC	LDK7RAI	LDK7RAIP
TUCSON	2.7 GLS V6	2700	2006->	6	D-FI	1.1	BK5RETC	BK5RETI	BK5RETIP
TUCSON	2.7 V6	2700	2004->	6	G6BA	1.1	BK5RETC	BK5RETI	BK5RETIP
TUCSON	3.0 V6	3000	2001->	6	XG300	1.1	BK5RETC	BK5RETI	BK5RETIP
VELOSTER	1.6 CVVT	1600	2011->	4	G4FD	1	LDK6RAC	LDK6RAI	LDK6RAIP
INFINITI									
EX	3.7 I	3700	2012->	6	VQ37VHR	1.1	LDA8RTC	LDA8RTI	LDA8RTIP
FX	3.7 I	3700	2012->	6	VQ37VHR	1.1	LDA8RTC	LDA8RTI	LDA8RTIP
FX	5.0 V8	5000	2012->	8	VK50VE	1.1	LDA7RTC	LDA7RTI	LDA7RTIP
G37	3.7 GT CABRIO	3700	2012->	6	VQ37VHR	1.1	LDA8RTC	LDA8RTI	LDA8RTIP
M37	3.7 GT	3700	2012->	6	VQ37VHR	1.1	LDA8RTC	LDA8RTI	LDA8RTIP
Q50	2.0 T	2000	2014->	4		0.7	LDA8RACA	LDA8RAIA	LDA8RAIPA
Q50	2.0 T	2000	2015->	4		0.7	LDA8RACA	LDA8RAIA	LDA8RAIPA
Q50S	3.5 HYBRID	3500	2013->	6	VG35HR	1.1	LDA7RTC	LDA7RTI	LDA7RTIP
Q60	3.7 GT	3700	2013->	6	VQ37VHR	1.1	LDA8RTC	LDA8RTI	LDA8RTIP
Q70	3.7 GT	3700	2013->	6	VQ37VHR	1.1	LDA8RTC	LDA8RTI	LDA8RTIP
QX50	3.7 GT	3700	2013->	6	VQ37VHR	1.1	LDA8RTC	LDA8RTI	LDA8RTIP
QX70	3.7 GT	3700	2013->	6	VQ37VHR	1.1	LDA8RTC	LDA8RTI	LDA8RTIP
QX70	5.0 S	5000	2013->	8	VK50VE	1.1	LDA7RTC	LDA7RTI	LDA7RTIP
JAGUAR									
E-TYPE	5.3 FI V12	5300	1971->1975	12		0.8	B5RETC	B5RETI	B5RETIP
EXECUTIVE	4.2 SERIES II	4200	1974->1980	6	XJ-6	0.8	B5RETC	B5RETI	B5RETIP
F-TYPE	3.0 S	3000	2013->	6		1	LDA7RTC	LDA7RTI	LDA7RTIP
F-TYPE	3.0 V6	3000	2013->	6		1	LDA7RTC	LDA7RTI	LDA7RTIP
F-TYPE	5.0 V8S	5000	2012->	8	AJ-V8	1	LDK7RTC	LDK7RTI	LDK7RTIP
S-TYPE	3.0 I V6	3000	1998->2003	6	AJ-6	1.3	BT6REFTC	BT6REFTI	BT6REFTIP
S-TYPE	4.0 I V8	4000	2000->	8	AJ-8	1.1	BK5RETC	BK5RETI	BK5RETIP
S-TYPE	4.2 I V8	4200	2003->	8	AJ-8	1	BK5RETC	BK5RETI	BK5RETIP
S-TYPE	4.2 I V8	4200	2007->	8	FI	1	BK5RETC	BK5RETI	BK5RETIP
S-TYPE	4.2 R V8	4200	2002->	8	AJ-8	1	BK5RETC	BK5RETI	BK5RETIP
SOVEREIGN	4.0 L	4000	1989->	6	XJ-6	0.8	BK6RETC	BK6RETI	BK6RETIP
X-TYPE	2.0 SI V6	2000	2001->	6	AJ-6	1.3	BT6REFTC	BT6REFTI	BT6REFTIP
X-TYPE	3.0 SI V6	3000	2005->	6	AJ-6	1.3	BT6REFTC	BT6REFTI	BT6REFTIP
XF	3.0 SI V6	3000	2008->	6	AJ-6	1.3	BT6REFTC	BT6REFTI	BT6REFTIP
XF	4.2 I	4200	2008->	8	AJ33	1	BK5RETC	BK5RETI	BK5RETIP
XFR	5.0 I	5000	2009->	8	AJ133	1	LDK7RTC	LDK7RTI	LDK7RTIP
XFR	5.0 I SUPERCHARGED	5000	2009->	8	AJ-133	1	LDK7RTC	LDK7RTI	LDK7RTIP
XJ	3.0 R-SPORT	3000	2012->	6	AJ126	0.8	LDA7RTC	LDA7RTI	LDA7RTIP
XJ	5.0 I	5000	2010->	8	AJ133	1	LDK7RTC	LDK7RTI	LDK7RTIP
XJ-12	5.3 I V12	5300	1991->1993	12	HE-12	0.6	BT7REFC	BT7REFI	BT7REFIP
XJ-12	6.0 I V12	6000	1994->1996	12	HE-12	0.6	BT7REFC	BT7REFI	BT7REFIP
XJ-6	3.0 I	3000	2005->	6	AJ-6	1.3	BT6REFTC	BT6REFTI	BT6REFTIP
XJ-6	3.6 I	3600	1987->1990	6	AJ-6	0.8	BK6RETC	BK6RETI	BK6RETIP
XJ-6	4.0 I	4000	1990->1998	6	AJ-6	0.8	BK6RETC	BK6RETI	BK6RETIP
XJ-6	4.2 SERIES 3	4200	1975->1977	6	XK	0.8	B5RETC	B5RETI	B5RETIP
XJ-8	3.5 S	3500	2003->	8	XJ-33	1	BK5RETC	BK5RETI	BK5RETIP
XJ-8	4.0 S	4000	1997->	8	AJ-V8	1.1	BK6RETC	BK6RETI	BK6RETIP
XJ-8	4.2 R	4200	2002->	8	AJ-26	1	BK5RETC	BK5RETI	BK5RETIP
XJ-8	4.2 S	4200	2003->2007	8	AJ-33	1	BK5RETC	BK5RETI	BK5RETIP
XJR	4.0 SUPERCHARGED	4000	1994->1997	8	AJ-16	0.8	BK7RETC	BK7RETI	BK7RETIP
XJR	4.0 SUPERCHARGED	4000	1997->2000	8	AJ-26	1.3	BK6RETC	BK6RETI	BK6RETIP
XJR	4.0 SX	4000	1986->1991	6	AJ-6	0.8	BK6RETC	BK6RETI	BK6RETIP
XJR	4.2 L	4200	2004->	8	AJ-33	1	BK5RETC	BK5RETI	BK5RETIP
XJS	5.3 COUPE V12	5300	1982->1985	12	HE-12	0.8	BT5RFSTC	BT5RFSTI	BT5RFSTIP
XJS	5.3 V12	5300	1982->1985	12	HE-12	0.8	BT6EFTC	BT6EFTI	BT6EFTIP
XJS	5.3 V12	5300	1986->	12	HE-12	0.6	BT7REFC	BT7REFI	BT7REFIP
XK	4.2 V8	4200	2005->	8	AJ-8	1	BK5RETC	BK5RETI	BK5RETIP
XK8	4.0 V8	4000	2002->	8	AJ-26, 27	1	BK5RETC	BK5RETI	BK5RETIP
XK8	4.2 SI	4200	2002->	8	AJ-34	1	BK5RETC	BK5RETI	BK5RETIP
XKR-S	5.0 I	5000	2011->	8	AJ133	1	LDK7RTC	LDK7RTI	LDK7RTIP
XKR/ YK8	4.2 V8	4200	2002->2006	8	AJ-34	1	BK5RETC	BK5RETI	BK5RETIP
KIA									
CARENS	1.8 I LS	1800	2000->2002	4	T8	1.1	BK6RETC	BK6RETI	BK6RETIP
CARENS	2.0 I	2000	2004->	4	G4GC	1.1	BK5RETC	BK5RETI	BK5RETIP
CARENS 3	2.0 I	2000	2007->	4	G4KA	1.1	BK5RETC	BK5RETI	BK5RETIP
CARNIVAL	2.5 L	2500	1999->	6	KV6	1.1	BK6RETC	BK6RETI	BK6RETIP
CEE'D	1.4 I	1400	2007->	4	G4FA	1.1	BK5REAC	BK5REAI	BK5REAI

Model	Type	Capacity	Year	Cyl	Engine	Gap	TAKUMI-Classic*	TAKUMI-Super*	TAKUMI-XSuper*
CEE'D	1.6 I	1600	2007->	4	G4FC	1.1	BK5REAC	BK5REAI	BK5REAIIP
CEE'D	2.0 I	2000	2007->	4	G4GC	0.8	BK5RETC	BK5RETI	BK5RETIP
CERATO	1.6 EX	1600	2010->	4	G4FC	1	LDK6RTC	LDK6RTI	LDK6RTIP
CERATO	1.6 I	1600	2006->2009	4	G4FC	1.1	BK5REAC	BK5REAI	BK5REAIIP
CERATO	1.6 I	1600	2013->	4	G4FC	0.8	LDK6RAC	LDK6RAI	LDK6RAIP
CERATO	1.6 I	1600	2009->2012	4	G4FC	1.1	BK5REAC	BK5REAI	BK5REAIIP
CERATO	1.6 L	1600	2004->	4	G4ED	0.8	BK6RETC	BK6RETI	BK6RETIP
CERATO	2.0 16V	2000	2009->	4	G4KD	1.1	LBK5RETC	LBK5RETI	LBK5RETIP
CERATO	2.0 KOUP	2000	2010->	4	G4GC	1.1	BK5RETC	BK5RETI	BK5RETIP
CERATO	2.0 L	2000	2004->	4	G4GC	1.1	BK5RETC	BK5RETI	BK5RETIP
CLARUS	2.0 GLX	2000	1998->	4	FE DOHC	1.1	BK6RETC	BK6RETI	BK6RETIP
KOUP	1.6 TGDJ	1600	2013->2017	4	G4FJ	0.8	LDK6RAC	LDK6RAI	LDK6RAIP
KOUP	2.0 EFI	2000	2010->	4	G4KD	1.1	LBK5RETC	LBK5RETI	LBK5RETIP
KOUP	2.0 SI	2000	2013->2017	4	G4NC	1.1	LDK7RAC	LDK7RAI	LDK7RAIP
MAGENTIS	2.0 I	2000	2004->	4	G4KA	0.8	B6RETC	B6RETI	B6RETIP
MAGENTIS	2.5 I	2500	2003->	6	G6BV	0.8	BK5RETC	BK5RETI	BK5RETIP
MAGENTIS	2.5 I	2500	2004->	6	KV6	1.1	BK6RETC	BK6RETI	BK6RETIP
MAGENTIS	2.7 I	2700	2006->	6	G6EA	1.1	LBK5RETC	LBK5RETI	LBK5RETIP
OPTIMA	2.4 I	2400	2012->	4	G4KD	1.1	LDK7RAC	LDK7RAI	LDK7RAIP
PICANTO	1.0 I	1000	2004->	4	G4HE	1.1	BK6RETC	BK6RETI	BK6RETIP
PICANTO	1.0 MPI	1000	2010->	3	G3LA	1	LDK6RTC	LDK6RTI	LDK6RTIP
PICANTO	1.1 LX	1100	2004->	4	G4HG	1.1	BK5RETC	BK5RETI	BK5RETIP
PICANTO	1.2 I	1200	2011->	4	G4LA	1	LDK6RTC	LDK6RTI	LDK6RTIP
PICANTO 2	1.0 I	1000	2011->	3	G3LA	1	LDK6RTC	LDK6RTI	LDK6RTIP
PICANTO 2	1.2 I	1200	2011->	4	G4LA	1	LDK6RTC	LDK6RTI	LDK6RTIP
PRIDE	1.3 LX	1300	1998->	4	B3	1.1	B5RETC	B5RETI	B5RETIP
PRIDE	1.6 CVVT	1600	2005->	4		1.1	BK5RETC	BK5RETI	BK5RETIP
PRO-CEED	2.0 FI	2000	2007->	4	G4GC	1.1	BK5RETC	BK5RETI	BK5RETIP
RIO	1.2 I	1200	2012->	4	G4LA	1	LDK6RTC	LDK6RTI	LDK6RTIP
RIO	1.3 RS	1300	2001->	4	A2E	0.8	B5RETC	B5RETI	B5RETIP
RIO	1.4 CVVT	1400	2011->	4	G4FA	1	LDK6RTC	LDK6RTI	LDK6RTIP
RIO	1.4 CVVT	1400	2017->	4	G4LC	1	LDK6RTC	LDK6RTI	LDK6RTIP
RIO	1.4 HATCH	1400	2005->	4	G4EE	1.1	BK5RETC	BK5RETI	BK5RETIP
RIO	1.4 L	1400	2001->	4	A3E	0.8	B5RETC	B5RETI	B5RETIP
RIO	1.4 S	1400	2005->	4	G4EE	1.1	BK5RETC	BK5RETI	BK5RETIP
RIO	1.5 RS	1500	2001->	4	A5D	0.8	B5RETC	B5RETI	B5RETIP
RIO	1.6 L	1600	2006->2010	4	L4 FI	1.1	BK5RETC	BK5RETI	BK5RETIP
RIO	1.6 LX	1600	2010->	4	L4	1.1	BK5RETC	BK5RETI	BK5RETIP
SEDONA	2.5 V6	2500	2004->	6	KV6	1.1	BK6RETC	BK6RETI	BK6RETIP
SEDONA	3.8 V6	3800	2010->	6		1.1	BK5RETC	BK5RETI	BK5RETIP
SEPHIA	1.5 I LS,RS	1500	1998->2000	4	B5E	1.1	BK6RETC	BK6RETI	BK6RETIP
SHUMA	1.5 I LS	1500	1999->	4	B5,BFD	1.1	BK6RETC	BK6RETI	BK6RETIP
SHUMA	1.8 I GS	1800	1999->	4	TED	1.1	BK6RETC	BK6RETI	BK6RETIP
SHUMA 2	1.6 FI	1600	2002->	4	OKAB5	0.8	BK6RETC	BK6RETI	BK6RETIP
SHUMA 2	1.8 FI	1800	2002->	4	T8D	0.8	BK6RETC	BK6RETI	BK6RETIP
SORENTO	2.4 I	2400	2010->	4	G4KE	1.1	LBK5RETC	LBK5RETI	LBK5RETIP
SORENTO	3.5 V6	3500	2003->	6	G6CU	1.1	BK5RETC	BK5RETI	BK5RETIP
SORENTO	3.8 I V6	3800	2006->	6	G6DA	1.1	BK5RETC	BK5RETI	BK5RETIP
SOUL	1.6 I	1600	2009->	4	G4FC	1	LDK6RTC	LDK6RTI	LDK6RTIP
SOUL	1.6 I	1600	2009->	4	G4FC	1.1	BK5REAC	BK5REAI	BK5REAIIP
SOUL	2.0 I	2000	2009->	4	L4	1.1	BK5REAC	BK5REAI	BK5REAIIP
SOUL	2.0 I	2000	2013->	4	G4KD	1.1	LDK7RAC	LDK7RAI	LDK7RAIP
SPECTRA	1.6 LS	1600	2002->	4		0.8	BK6RETC	BK6RETI	BK6RETIP
SPORTAGE	2.0 CVVT	2000	2011->	4	G4KD	1.1	LBK5RETC	LBK5RETI	LBK5RETIP
SPORTAGE	2.0 CVVT	2000	2015->	4	G4NA	1.1	LDK7RAC	LDK7RAI	LDK7RAIP
SPORTAGE	2.0 I	2000	1998->	4	NB7	1.1	BK6RETC	BK6RETI	BK6RETIP
SPORTAGE	2.0 I	2000	2006->	4	G4GC	1.1	BK6RETC	BK6RETI	BK6RETIP
SPORTAGE	2.0 LX	2000	2010->	4	G4KD	1.1	LBK5RETC	LBK5RETI	LBK5RETIP
SPORTAGE	2.4 I	2400	2011->	4	G4KE	1.1	LBK5RETC	LBK5RETI	LBK5RETIP
SPORTAGE	2.7 V6	2700	2010->	6	G6BA	1.1	BK5RETC	BK5RETI	BK5RETIP
LAND ROVER									
DEFENDER	2.5 I	2500	1990->	6		0.8	B6RETC	B6RETI	B6RETIP
DEFENDER	2.8 I	2800	1997->	6	M52	0.8	BK6REDY	BK6RETI	BK6RETIP
DEFENDER	3.5 I	3500	1990->	8		0.8	B5RETC	B5RETI	B5RETIP
DISCOVERY	2.0 I	2000	1993->	4		0.8	BK6RETC	BK6RETI	BK6RETIP
DISCOVERY	3.5 I V8	3500	1990->	8		0.8	B6RETC	B6RETI	B6RETIP
DISCOVERY	3.9 V8	3900	1991->1993	8		0.8	B5RETC	B5RETI	B5RETIP
DISCOVERY	3.9 I	3900	1994->1999	8		0.8	BK6RETC	BK6RETI	BK6RETIP
DISCOVERY	3.9 I	3900	1999->2000	8		1.1	BK6RETC	BK6RETI	BK6RETIP
DISCOVERY	3.9 I V8	3900	1994->	8		0.8	B6RETC	B6RETI	B6RETIP
DISCOVERY	4.0 I	4000	2002->	8		1.1	BK6RETC	BK6RETI	BK6RETIP
DISCOVERY 3	4.0 I	4000	2003->	6	V6 EFI	1.5	BT5REFTC	BT5REFTI	BT5REFTIP

A
B
C
D
E
F
G
H
I
J
K
L
M
N
O
P
Q
R
S
T
U
V
W
X
Y
Z
VEHICLE MODEL MATCHING TABLE

A
B
C
D
E
F
G
H
I
J
K
L
M
N
O
P
Q
R
S
T
U
V
W
X
Y
Z
VEHICLE MODEL MATCHING TABLE

Model	Type	Capacity	Year	Cyl	Engine	Gap	TAKUMI-Classic*	TAKUMI-Super*	TAKUMI-XSuper*
DISCOVERY 3	4.0 I	4000	2006->	8		1.5	BT5REFTC	BT5REFTI	BT5REFTIP
DISCOVERY 3	4.4 I	4400	2004->2008	8		1	BK5RETC	BK5RETI	BK5RETIP
DISCOVERY 4	5.0 I	5000	2011->	8	AJ133	1	LDK7RTC	LDK7RTI	LDK7RTIP
EVOQUE	2.0 SI4	2000	2011->	4	204PT	0.8	LBT6REFTC	LBT6REFTI	LBT6REFTIP
FREELANDER	1.8 I	1800	1998->	4		1.1	BK6RETC	BK6RETI	BK6RETIP
FREELANDER	2.0 I	2000	2001->2001	6	KV6	1.1	BK6RETC	BK6RETI	BK6RETIP
FREELANDER	2.5 V6	3000	2000->	6		1.1	BK6RETC	BK6RETI	BK6RETIP
FREELANDER 2	2.0 SI4	2000	2011->	4	204PT	0.8	LBT6REFTC	LBT6REFTI	LBT6REFTIP
FREELANDER 2	3.2 V6	3200	2006->	6		0.8	LBK6RETC	LBK6RETI	LBK6RETIP
PICK-UP	2.2 88 SWB	2200	1986->	4		0.8	B5RETC	B5RETI	B5RETIP
PICK-UP	2.5 HARD TOP	2500	1986->1987	4		0.8	B6RETC	B6RETI	B6RETIP
PICK-UP	2.6 111 SERIES	2600	1996->	6	R6	0.8	B6RETC	B6RETI	B6RETIP
PICK-UP	2.6 V6 109 LWB	2600	1992->	6		0.8	B6RETC	B6RETI	B6RETIP
PICK-UP	3.5 V8 HI-LINE SWB	3500	1990->	8		0.8	B5RETC	B5RETI	B5RETIP
PICK-UP	3.5 V8 127 C/CAB	3500	1998->	8		0.8	B5RETC	B5RETI	B5RETIP
PICK-UP	3.5 V8 88 SWB	3500	1995->1996	8		0.8	B5RETC	B5RETI	B5RETIP
PICK-UP	3.5 V8 HARD TOP	3500	1992->	8		0.8	B5RETC	B5RETI	B5RETIP
PICK-UP	3.5 V8110 LWB	3500	1996->1998	8		0.8	B5RETC	B5RETI	B5RETIP
RANGE ROVER	3.5 V8	3500	1992->1994	8		0.8	B5RETC	B5RETI	B5RETIP
RANGE ROVER	3.9 SE V8	3900	1996->1998	8		0.8	B5RETC	B5RETI	B5RETIP
RANGE ROVER	3.9 VOGUE V8	3900	1994->1996	8		0.8	B5RETC	B5RETI	B5RETIP
RANGE ROVER	4.0 I	4000	1999->2002	8		1.1	BK6RETC	BK6RETI	BK6RETIP
RANGE ROVER	4.2 I V8	4200	1992->1994	8		0.8	B6RETC	B6RETI	B6RETIP
RANGE ROVER	4.4 I	4400	2002->	8	M62 BMW	0.8	BK6RETC	BK6RETI	BK6RETIP
RANGE ROVER	4.6 I	4600	1999->	8		1.1	BK6RETC	BK6RETI	BK6RETIP
RANGE ROVER 4	4.2 I	4200	2005->	8	AJ41	1	BK5RETC	BK5RETI	BK5RETIP
RANGE ROVER 4	4.4 I	4400	2005->	8	AJ41	1	BK5RETC	BK5RETI	BK5RETIP
RANGE ROVER 4	5.0 SPORT V8	5000	2009->	8	AJ133	1	LDK7RTC	LDK7RTI	LDK7RTIP
LEXUS									
CT200	CT200H 1.8 HYB	1800	2011->	4	2ZRFXE	1.1	LDA7RTC	LDA7RTI	LDA7RTIP
ES300	3.0 I	3000	2000->2003	6	2JZ-GE	1.1	BK6RETC	BK6RETI	BK6RETIP
ES300	3.0 I	3000	2004->	6	1MZ-FE	1.1	BK6RETC	BK6RETI	BK6RETIP
GS250	2.5 EX	2500	2012->	6	4GR-FSE	1.1	LBK6RETC	LBK6RETI	LBK6RETIP
GS300	3.0 I	3000	1993->1999	6	2JZ-GE	1.1	BK5RETC	BK5RETI	BK5RETIP
GS300	3.0 I	3000	2002->	6	2JZ-GE	1.1	BK6RETC	BK6RETI	BK6RETIP
GS300	3.0 I	3000	2005->	6	3GR-FSE	1.1	LBK6RETC	LBK6RETI	LBK6RETIP
GS350	3.5 I	3500	2011->	6	2GR-FSE	1.1	LBK6RETC	LBK6RETI	LBK6RETIP
GS430	4.3 I	4300	2007->	8	3UZ-FE	1.1	BK6RETC	BK6RETI	BK6RETIP
GS450H	3.5 V6, ELECTRIC	3500	2010->	6	2GR-FSE	1.1	LBK6RETC	LBK6RETI	LBK6RETIP
IS F	5.0 I	5000	2010->	8	2UR-GSE	1.1	LBK6RETC	LBK6RETI	LBK6RETIP
IS200	2.0 I	2000	1998->	6	1G-FE	1.1	BK6RETC	BK6RETI	BK6RETIP
IS250	2.5 I	2500	2006->	6	4GR-FSE	1	LBK6RETC	LBK6RETI	LBK6RETIP
IS300	3.0 I	3000	2002->	6	2JZ-GE	1.1	BK6RETC	BK6RETI	BK6RETIP
IS350	3.5 I	3500	2011->	6	2GR-FSE	1.1	LBK6RETC	LBK6RETI	LBK6RETIP
LC500	5.0 I	5000	2016->	8	2UR-GSE	1.1	LBK6RETC	LBK6RETI	LBK6RETIP
LS400	4.0 I	4000	1990->1997	8	1UAZ-FE	1.1	BK5RETC	BK5RETI	BK5RETIP
LS400	4.0 I	4000	2000->	8	1UZ-FE	1.1	BK6RETC	BK6RETI	BK6RETIP
LS430	4.3 I	4300	2000->	8	3UZ-FE	1.1	BK6RETC	BK6RETI	BK6RETIP
LS460	4.6 I	4600	2006->	8	1UR-FE	1.1	LBK6RETC	LBK6RETI	LBK6RETIP
LS460	4.6 I	4600	2006->2009	8	1UR-FSE	1	LDA7RAC	LDA7RAI	LDA7RAIP
LS460	4.6 I	4600	2010->	8	1UR-FSE	1.1	LBK6RETC	LBK6RETI	LBK6RETIP
LS600H	5.0 ELECTRIC, GAS	5000	2010->	8	2UR-SFE	1.1	LBK6RETC	LBK6RETI	LBK6RETIP
LX470	4.7 V8	4700	2000->	8	2UZ-FE TWC	1.1	BK6RETC	BK6RETI	BK6RETIP
LX570	5.7 V8	5700	2009->	8	3UR-FE FI	1.1	LBK6RETC	LBK6RETI	LBK6RETIP
RX300	3.0 V6	3000	2000->2006	6	1MZ-FE	1.1	BK6RETC	BK6RETI	BK6RETIP
RX300	3.3 V6	3300	2004->2006	6	3MZ-FE	1.1	BK6RETC	BK6RETI	BK6RETIP
RX330	3.0 V6	3000	2004->	6	1MZ-FE	1.1	BK6RETC	BK6RETI	BK6RETIP
RX330	3.3 V6	3300	2004->	6	3MZ-FE	1.1	BK6RETC	BK6RETI	BK6RETIP
RX350	3.5 V6	3500	2010->	6	2GR-FE	1.1	LDK6RTC	LDK6RTI	LDK6RTIP
RX400H	3.3 V6	3300	2005->	6	3MZ-FE	1.1	BK6RETC	BK6RETI	BK6RETIP
RX450H	3.5 V6	3500	2010->	6	2GR-FXE	1.1	LBK6RETC	LBK6RETI	LBK6RETIP
SC430	4.3 I	4300	2007->	8	3UZ-FE	1.1	BK6RETC	BK6RETI	BK6RETIP
MASERATI									
222	2.0 L	2000	1989->	4	AM 471	0.8	B7RETC	B7RETI	B7RETIP
222	2.8 IE COUPE	2800	1998->1992	6	V690 SOHC	0.7	DC7RETC	DC7RETI	DC7RETIP
228	2.8 TURBO	2800	1988->1989	6	AM 473	0.8	B7RETC	B7RETI	B7RETIP
228	2.8 TURBO	2800	1990->	6		0.7	DC7RETC	DC7RETI	DC7RETIP
422	2.0 I	2000	1988->	6	AM471	0.8	B7RETC	B7RETI	B7RETIP
425	2.5 I 18V V6	2500	1988->	6	DOHC	0.8	B8RETC	B8RETI	B8RETIP
430	2.8 LX	2800	1988->	6	AM473	0.8	B7RETC	B7RETI	B7RETIP

Model	Type	Capacity	Year	Cyl	Engine	Gap	TAKUMI-Classic*	TAKUMI-Super*	TAKUMI-XSuper*
BI TURBO	2.5 SPYDER 8889 18V V6	2500	1988->	6	DOHC	0.8	B8RETC	B8RETI	B8RETIP
BI TURBO 11	2.5 COUPE 18V V6	2500	1988->	6	DOHC	0.8	B10RETC	B10RETI	B10RETIP
COUPE GT	4.2 GT	4200	2003->	8	F136R	0.7	C8REC	C8REI	C8REIP
GHIBLI S	3.0 T	3000	2013->	6		0.6	LDA8RTC	LDA8RTI	LDA8RTIP
GHILBLI	2.0 SPORT	2000	1992->	6	AM496	0.8	DC9RETC	DC9RETI	DC9RETIP
GRANSPORT	4.2 I	4200	2004->	8	F136S	0.7	C8REC	C8REI	C8REIP
QUATTROPORTE	2.0 L 20V	2000	1993->	6	DH	0.8	DC9RETC	DC9RETI	DC9RETIP
QUATTROPORTE	2.8 LX	2800	1988->	8	AM473	0.8	B7RETC	B7RETI	B7RETIP
QUATTROPORTE	3	3000	2016->	6	M156C	0.6	LDA8RTC	LDA8RTI	LDA8RTIP
QUATTROPORTE	4.2I	4200	2003->	8	F136S	0.8	C8REC	C8REI	C8REIP
SPYDER	2.0 L	2000	1985->1987	4	452	0.8	B7RETC	B7RETI	B7RETIP
SPYDER	2.8 R V6	2800	1990->	6	SOHC	0.7	DC7RETC	DC7RETI	DC7RETIP
SPYDER	4.2 V8	4200	2003->	8	F136R	0.7	C8REC	C8REI	C8REIP
MAZDA									
130	1.6 STING , HATCH	1300	1991->	4	B3	0.8	B5RETC	B5RETI	B5RETIP
160	1.6 L	1600		4	F6	0.8	B5RETC	B5RETI	B5RETIP
160	1.6 STING , HATCH	1600	1991->	4	F6	0.8	B6RETC	B6RETI	B6RETIP
323	1.3 L,S	1300	1981->1991	4	E3 + B3	0.8	B5RETC	B5RETI	B5RETIP
323	1.3 S MIDGE, STING, HATCH	1300	1991->	4	B3	0.8	B5RETC	B5RETI	B5RETIP
323	1.4 GLC	1400	1979->1981	4	B3	0.8	B6RETC	B6RETI	B6RETIP
323	1.5 GLC, SL HATCH	1500	1981->1988	4	E5	0.8	B5RETC	B5RETI	B5RETIP
323	1.5 SL	1500	1985->1988	4	B5	0.8	B6RETC	B6RETI	B6RETIP
323	1.6 EGI	1600	1985->1988	4	B6	0.8	B6RETC	B6RETI	B6RETIP
323	1.6 I MIDGE, STING	1600	1991->	4	B6/F6	0.8	B6RETC	B6RETI	B6RETIP
323	2.0 E 8V	2000	1991->1995	4	FE	0.8	B5RETC	B5RETI	B5RETIP
323	2.0 EGI,SLI	2000	1989->1991	4	FE	0.8	B6RETC	B6RETI	B6RETIP
323	2.0 I 16V EGI DOHC	2000	1991->1994	4	FE T/C	0.8	BK6RETC	BK6RETI	BK6RETIP
323	2.0 SLE	2000	1989->1991	4	FE	0.8	B5RETC	B5RETI	B5RETIP
626	1.6 L,S	1600	1983->1989	4	F6	0.8	B6RETC	B6RETI	B6RETIP
626	1.8 L	1800	1989->1992	4	F8	0.8	B5RETC	B5RETI	B5RETIP
626	2.0 16V SLI DOHC	2000	1989->1992	4	FE	0.8	BK6RETC	BK6RETI	BK6RETIP
626	2.0 EGI	2000		4	FE	0.8	B6RETC	B6RETI	B6RETIP
626	2.0 I	2000	2000->	4	FS	1.1	BK5REAC	BK5REAI	BK5REAI
626	2.0 I	2000	2000->	4	FS	1.1	BK5REAC	BK5REAI	BK5REAI
626	2.0 I 16V	2000	1993->1996	4	FS	1.1	BK6RETC	BK6RETI	BK6RETIP
626	2.0 I V6	2000	1993->1996	6	KF	0.8	BK6RETC	BK6RETI	BK6RETIP
626	2.0 SL	2000	1989->1992	4	FE	0.8	B5RETC	B5RETI	B5RETIP
626	2.0 SLE 12V	2000	1990->1991	4	FE	0.8	BK6RETC	BK6RETI	BK6RETIP
626	2.0 SLI 8V SOHC	2000	1987->1989	4	FE	0.8	B6RETC	B6RETI	B6RETIP
626	2.5 I V6	2500	1993->1996	6	KL	1.1	BK6RETC	BK6RETI	BK6RETIP
ASTINA	1.8 SE 16V	1800	1995->1999	4	BPD	0.8	B5RETC	B5RETI	B5RETIP
B1600	1.6 E	1600	1971->1991	4	F6	0.8	B5RETC	B5RETI	B5RETIP
B1800	1.8 L	1800	1991->1996	4	VC, F8	0.8	B5RETC	B5RETI	B5RETIP
B2000	2.0 L	2000	1986->1991	4	FE	0.8	B5RETC	B5RETI	B5RETIP
B2000	2.0 S	2000	1982->1986	4	MA	0.8	B5RETC	B5RETI	B5RETIP
B2200	2.2 I 12V	2200	1991->2000	4	F2	0.8	BK6RETC	BK6RETI	BK6RETIP
B2300	2.3 I	2300	2009->	4	L4	1.3	BT6REFTC	BT6REFTI	BT6REFTIP
B2600	2.6 4 X 4	2600	1988->1995	4	4G54	0.8	B5RETC	B5RETI	B5RETIP
B2600	2.6 CARB	2600	1990->1992	4	AM	0.8	BK6RETC	BK6RETI	BK6RETIP
B2600	2.6 LE	2600	1990->	4	G6	1.1	BK5REAC	BK5REAI	BK5REAI
B3000	3.0 MAGNUM	3000	1994->1996	6	ESSEX	0.8	B7RETC	B7RETI	B7RETIP
B3400	3.4 I	3400	1997->	6	ESSEX	1.1	B7RETC	B7RETI	B7RETIP
B4000	4.0 I V6	4000	2009->	8		1.5	BT5REFTC	BT5REFTI	BT5REFTIP
BT-50	2.5 I	2500	2010->	4		1.3	LBT5REFTC	LBT5REFTI	LBT5REFTIP
BT-50	2.6 I	2600	2007->	4	G6	1.1	BK5REAC	BK5REAI	BK5REAI
CX-3	2.0 SKYACTIVE	2000	2015->	4	PEY6	1.1	LDK7RTC	LDK7RTI	LDK7RTIP
CX-5	2.0 I	2000	2012->	4	PE-VPS	1.1	LDK7RTC	LDK7RTI	LDK7RTIP
CX-5	2.0 I SKYACTIVE	2000	2011->	4	PEY6	1.1	LDK7RTC	LDK7RTI	LDK7RTIP
CX-5	2.5 I	2500	2014->	4	PY	1.1	LDK7RTC	LDK7RTI	LDK7RTIP
CX-7	2.3 I TURBO	2300	2007->	4	MZR DISI	0.8	LBT6REFTC	LBT6REFTI	LBT6REFTIP
CX-7	2.5 I	2500	2012->	4	L5Y7	1.1	LBT5REFTC	LBT5REFTI	LBT5REFTIP
DRIFTER	1.8 E	1800	2000->	4	F8	0.8	B5RETC	B5RETI	B5RETIP
DRIFTER	2.2 S	2200	2000->	4	F2	0.8	BK6RETC	BK6RETI	BK6RETIP
DRIFTER	2.6 12V	2600	2000->	4	G63	0.8	BK5RETC	BK5RETI	BK5RETIP
ETUDE	180 SE 16V	1800	1995->	4	BPD	0.8	BK5RETC	BK5RETI	BK5RETIP
ETUDE	1.6 E 16V	1600	1995->	4	B6D	0.8	BK5RETC	BK5RETI	BK5RETIP
ETUDE	1.6 IE	1600	2000->	4	ZM	1.1	BK6REAC	BK6REAI	BK6REAI
ETUDE	1.8 ISE	1800	2000->	4	FP	1.1	BK5RETC	BK5RETI	BK5RETIP
F1000	1.0 LCV	1000	1989->	4		0.8	B6RETC	B6RETI	B6RETIP
F1300	1.3 LCV	1300	1989->	4		0.8	B6RETC	B6RETI	B6RETIP

A B C D E F G H I J K L M N O P Q R S T U V W X Y Z VEHICLE MODEL MATCHING TABLE

A
B
C
D
E
F
G
H
I
J
K
L
M
N
O
P
Q
R
S
T
U
V
W
X
Y
Z
VEHICLE MODEL MATCHING TABLE

Model	Type	Capacity	Year	Cyl	Engine	Gap	TAKUMI-Classic*	TAKUMI-Super*	TAKUMI-XSuper*
MARATHON	2.2 BUS	2200	1996->	4	F2	0.8	B5RETC	B5RETI	B5RETIP
MARATHON	2.2 B	2200	1991->	4	F2	0.8	B5RETC	B5RETI	B5RETIP
MAZDA 2	1.3 I	1300	2007->	4	ZJ-VE	1.1	BK5RETC	BK5RETI	BK5RETIP
MAZDA 2	1.4 I	1400	2007->	4	ZJ-VE	1.1	BK5RETC	BK5RETI	BK5RETIP
MAZDA 2	1.5 I	1500	2007->	4	ZY-VE	1.1	BK5RETC	BK5RETI	BK5RETIP
MAZDA 3	1.6 I	1600	2004->2009	4	Z601/ 627	1.1	BK5RETC	BK5RETI	BK5RETIP
MAZDA 3	1.6 I	1600	2009->	4	Z668	1.1	BK5RETC	BK5RETI	BK5RETIP
MAZDA 3	2.0 I	2000	2004->2009	4	LF-DE	1.3	BT6REFTC	BT6REFTI	BT6REFTIP
MAZDA 3	2.0 I	2000	2010->2012	4	LA	1.3	LBT5REFTC	LBT5REFTI	LBT5REFTIP
MAZDA 3	2.0 I	2000	2013->	4	PEY7	1.1	LDK7RTC	LDK7RTI	LDK7RTIP
MAZDA 3	2.3 I	2300	2005->	4	SP23 L4	1.3	BT6REFTC	BT6REFTI	BT6REFTIP
MAZDA 3	2.3 I	2300	2006->	4	L4,FI	1.3	LBT5REFTC	LBT5REFTI	LBT5REFTIP
MAZDA 3	2.3 MPS	2300	2007->	4	DISI	0.8	LBT6REFTC	LBT6REFTI	LBT6REFTIP
MAZDA 3	2.5 S	2500	2010->	4	LA	1.3	LBT5REFTC	LBT5REFTI	LBT5REFTIP
MAZDA 5	2.0 I	2000	2005->	4	LF-VE	1.3	LBT5REFTC	LBT5REFTI	LBT5REFTIP
MAZDA 5	2.0 I	2000	2005->	4	MZR-LF	1.3	BT6REFTC	BT6REFTI	BT6REFTIP
MAZDA 5	2.0 I	2000	2010->	4	LFZB	1.3	LBT6REFTC	LBT6REFTI	LBT6REFTIP
MAZDA 6	2.0 I	2000	2003->2005	4	LF-DE	1.3	BT6REFTC	BT6REFTI	BT6REFTIP
MAZDA 6	2.0 I	2000	2007->	4	LF-VE	1.3	LBT5REFTC	LBT5REFTI	LBT5REFTIP
MAZDA 6	2.3 I	2300	2003->2005	4	L3-VE	1.3	BT6REFTC	BT6REFTI	BT6REFTIP
MAZDA 6	2.3 I	2300	2008->	4	L3-VE	1.3	LBT5REFTC	LBT5REFTI	LBT5REFTIP
MAZDA 6	2.3 MPS	2300	2007->	4	DISI	0.8	LBT6REFTC	LBT6REFTI	LBT6REFTIP
MAZDA 6	2.5 I	2500	2008->	4	S-VT	1.3	LBT5REFTC	LBT5REFTI	LBT5REFTIP
MAZDA 6	2.5 I	2500	2009->	4	L5-VE	1.3	BT6REFTC	BT6REFTI	BT6REFTIP
MAZDA 6	2.5 I	2500	2014->	4	PYY1	1.1	LDK7RTC	LDK7RTI	LDK7RTIP
MX-5	1.6 I	1600	1990->1993	4	B6	1.1	BK6RETC	BK6RETI	BK6RETIP
MX-5	1.8 I	1800	2001->2005	4	BPZE	1.1	BK5RETC	BK5RETI	BK5RETIP
MX-5	1.8 I	1800	2006->	4		1.3	BT6REFTC	BT6REFTI	BT6REFTIP
MX-5	2.0 I	2000	2006->	4	LF-VE	1.3	LBT6REFTC	LBT6REFTI	LBT6REFTIP
MX-5	2.0 MIATA	2000	2006->2009	4	FI	1.3	LBT6REFTC	LBT6REFTI	LBT6REFTIP
MX-6	2.5 I V6	2500	1993->1998	6	KL	1.1	BK6RETC	BK6RETI	BK6RETIP
RUSTLER	1.3 L	1300	1994->2002	4	KENT, B3	0.8	B6RETC	B6RETI	B6RETIP
RUSTLER	1.4 S	1400	1986->1993	4	CVH	0.8	BK6ETC	BK6ETI	BK6ETIP
RUSTLER	1.6 I	1600	1994->	4	B6	0.8	B6RETC	B6RETI	B6RETIP
RUSTLER	1.6 L	1600	1986->1991	4	CVH	0.8	BK6ETC	BK6ETI	BK6ETIP
RX-7	FB		1995->		12A	0.8	B8REC	B8REI	B8REIP
RX-7	FC / FD		1986->1995		12AN2	1	B7REC	B7REI	B7REIP
RX-7	ROTARY		1990->		13B	0.8	B10EC	B10EI	B10EIP
RX-7	TURBO		1990->		RE13B	1	B9REC	B9REI	B9REIP
RX-7	TWIN TURBO		1990->		13B-REV	1	B9REC	B9REI	B9REIP
RX-8	2.6 I		2003->		13B-MSP	0.8	B8REC+B9REC	B8REI+B9REI	B8REIP+B9REIP
RX-8 SPORT	2.6 I		2003->			0.8	B8REC+B9REC	B8REI+B9REI	B8REIP+B9REIP
SOHO	1.3 121	1300	1997->1998	4	HCS ENDURA	0.8	BT5RFSTC	BT5RFSTI	BT5RFSTIP
SOHO	1.4 121	1400	1998->	4	CVH	0.8	BK6RETC	BK6RETI	BK6RETIP
T2000	2.0 LCV	2000	1981->1985	4	VA	0.8	B6RETC	B6RETI	B6RETIP
MERCEDES BENZ									
190	W201	1800	1990->1993	4	M102.910	0.8	BT6EFTC	BT6EFTI	BT6EFTIP
190	W201	2000	1985->1994	4	M102.962	0.8	BT6EFTC	BT6EFTI	BT6EFTIP
190	W201	2300	1993->1994	4	M102.985	0.8	BT6EFTC	BT6EFTI	BT6EFTIP
200	W123	2000	1981->1986	4	M102.920	0.8	BT6EFTC	BT6EFTI	BT6EFTIP
200	W124	2000	1986->1990	4	M102.922	0.8	BT6EFTC	BT6EFTI	BT6EFTIP
200E	W124	2000	1990->1993	4	M102.963	0.8	BT6EFTC	BT6EFTI	BT6EFTIP
200E,CE,TE	W124	2000	1990->1993	4	M111.940	0.8	BK6EJC	BK6ETI	BK6ETIP
200T	W123	2000	1990->	4	M102.920	0.8	BT6EFTC	BT6EFTI	BT6EFTIP
220E,CE,TE	W124	2200	1992->1993	4	M111.960	0.8	BK6EJC	BK6ETI	BK6ETIP
230	W123	2300	1977->	4	M102.115	0.8	B5RETC	B5RETI	B5RETIP
230E,TE,CE	W123	2300	1981->1986	4	M102.980	0.8	BT6EFTC	BT6EFTI	BT6EFTIP
230E,TE,CE	W124	2300	1986->1993	4	M102.982	0.8	BT6EFTC	BT6EFTI	BT6EFTIP
250	W123	2500	1977->1980	6	M123.920	0.8	B6ETC	B6ETI	B6ETIP
260E	W124	2600	1986->1992	6	M103.940	0.8	BT6EFTC	BT6EFTI	BT6EFTIP
280E, CE	W123	2800	1977->1986	6	M110.984	0.8	B6RETC	B6RETI	B6RETIP
280E,TE	W124	2800	1993->1995	6	M104.942	0.8	BK6EJC	BK6ETI	BK6ETIP
280S	W116	2800	1973->1981	6	M110.922	0.8	B6RETC	B6RETI	B6RETIP
280SE	W116	2800	1973->1981	6	M110.983	0.8	B6RETC	B6RETI	B6RETIP
280SE	W126	2800	1987->	6	M110.989	0.8	B6RETC	B6RETI	B6RETIP
280SL	W107	2800	1990->	6	M110.990	0.8	B6RETC	B6RETI	B6RETIP
280TE	W123	2800	1990->	6	M110.984	0.8	B6RETC	B6RETI	B6RETIP
300E	W124	3000	1987->1993	6	M103.983	0.8	BT6EFTC	BT6EFTI	BT6EFTIP
300SE	W126	3000	1986->1992	6	M103.981	0.8	BT6EFTC	BT6EFTI	BT6EFTIP
320E	W124	3200	1993->	6	M104.992	0.8	BK6EJC	BK6ETI	BK6ETIP
350SE	W116	3500	1972->1976	8	M116.983	0.8	B6RETC	B6RETI	B6RETIP
350SE	W116	3500	1976->1980	8	M116.983	0.8	B6RETC	B6RETI	B6RETIP

Model	Type	Capacity	Year	Cyl	Engine	Gap	TAKUMI-Classic*	TAKUMI-Super*	TAKUMI-XSuper*
380SE	W126	3800	1979->1985	8	M116.963	0.8	B6RETC	B6RETI	B6RETIP
420SE	W126	4200	1986->1989	8	M116.965	0.8	B6RETC	B6RETI	B6RETIP
450SL	W116	4500	1977->1980	8	M117.982	0.8	B6RETC	B6RETI	B6RETIP
450SLC	W116	4500	1977->1980	8	M117.982	0.8	B6RETC	B6RETI	B6RETIP
500SE	W126	5000	1989->1992	8	M117.941,963,965	0.8	B6RETC	B6RETI	B6RETIP
500SL	W129	5000	1992->1993	8	M119.972	0.8	BK6EJC	BK6ETI	BK6ETIP
600SEL	W140	6000	1991->1993	12	M120.980	0.8	BK6EJC	BK6ETI	BK6ETIP
A160	W168 CLASSIC	1600	2000->	4	M166.960	1	BK6REJC	BK6RETI	BK6RETIP
A170	W169	1700	2005->	4	M 266.940	0.8	BK6RETC	BK6RETI	BK6RETIP
A180	1.6 T	1800	2012->	4	M270.910	0.7	LDA8RACA	LDA8RAIA	LDA8RAIPA
A190	W168 ELEGANCE	1900	1999->	4	M166.990	1	BK6REJC	BK6RETI	BK6RETIP
A200	W169	2000	2004->2011	4	M266.960	0.8	BK6RETC	BK6RETI	BK6RETIP
A200	W176 1.6 T	1600	2012->	4	M270.970	0.7	LDA8RACA	LDA8RAIA	LDA8RAIPA
A210	W168	2000	2002->	4	M166.995	1	BK5RETC	BK5RETI	BK5RETIP
A250	W176 2.0 T	2000	2013->	4	M270.920	0.7	LDA8RACA	LDA8RAIA	LDA8RAIPA
A45 AMG	2.0 T	2000	2013->	4	M133.980	0.7	LDA8RACA	LDA8RAIA	LDA8RAIPA
B 150	W245	1500	2005->	4	M266.920	0.8	BK6RETC	BK6RETI	BK6RETIP
B 170	W245	1700	2005->	4	M266.940	0.8	BK6RETC	BK6RETI	BK6RETIP
B 180	W245	1800	2008->	4	M266.960	0.8	BK6RETC	BK6RETI	BK6RETIP
B 200	W245	2000	2005->	4	M266.960	0.8	BK6RETC	BK6RETI	BK6RETIP
B 200	W245	2000	2011->	4	M266.980	1	BK6RETC	BK6RETI	BK6RETIP
B 200	W 246 1.6	1600	2011->	4	M270.910	0.7	LDA8RACA	LDA8RAIA	LDA8RAIPA
B 250	W246 2.0 T	2000	2012->	4	M270.920	0.7	LDA8RACA	LDA8RAIA	LDA8RAIPA
C180	W202	1800	1994->2000	4	M111.920	0.8	BK6ETC	BK6ETI	BK6ETIP
C180	W203	2000	2001->	4	M111.951	1	BK6RETC	BK6RETI	BK6RETIP
C180	W203 KOMPRESSOR	1800	2003->2006	4	M271.940	0.8	LBK6RETC	LBK6RETI	LBK6RETIP
C180	W203 KOMPRESSOR	1800	2006->	4	M271.940	0.8	LDK7RTC	LDK7RTI	LDK7RTIP
C180	W204	1600	2012->	4	M274.910	0.7	LDA8RACA	LDA8RAIA	LDA8RAIPA
C180	W204 CGI	1800	2007->	4	M271.820	0.8	LDK7RTC	LDK7RTI	LDK7RTIP
C180	W204 KOMPRESSOR	1600	2008->	4	M271.910	0.8	LDK7RTC	LDK7RTI	LDK7RTIP
C190	AMG 4.0 GTS	4000	2015->	8	M178.980	0.7	LDA8RACA	LDA8RAIA	LDA8RAIPA
C200	W202	2000	1996->2000	4	M111.941	0.8	BK6RETC	BK6RETI	BK6RETIP
C200	W203 KOMPRESSOR	1800	2006->	4	M271.942	0.8	LDK7RTC	LDK7RTI	LDK7RTIP
C200	W203 KOMPRESSOR	2000	2000->	4	M111.920,955	1	BK6RETC	BK6RETI	BK6RETIP
C200	W203 KOMPRESSOR	1800	2003->2006	4	M271.942	0.8	LBK6RETC	LBK6RETI	LBK6RETIP
C200	W204 CGI KOMPRESSOR	1800	2007->	4	M271.950	0.8	LDK7RTC	LDK7RTI	LDK7RTIP
C220	W202	2200	1994->1997	4	M111.961	0.8	BK6ETC	BK6ETI	BK6ETIP
C230	W 203	2500	2004->	6	M272.920	0.8	LDK7RTC	LDK7RTI	LDK7RTIP
C230	W202 C230	2300	1996->1998	4	M111.974	0.8	BK6ETC	BK6ETI	BK6ETIP
C230	W202 C230K SPORTS-COUPE	2300	1996->2000	4	M111.975	1	BK6REJC	BK6RETI	BK6RETIP
C230	W203 C230	1800	2004->	4	M271.948	0.8	LBK6RETC	LBK6RETI	LBK6RETIP
C230	W203 C230K KOMPRESSOR	2300	2001->2002	4	M111.981	1	BK6RETC	BK6RETI	BK6RETIP
C230	W204 C230K	2500	2007->	6	M272.911,M272.921	0.8	LDK7RTC	LDK7RTI	LDK7RTIP
C240	W202 V6 ELEGANCE	2400	1998->2000	6	M112.910	1.1	BK5RETC	BK5RETI	BK5RETIP
C240	W203 V6 ELEGANCE	2600	2001->2005	6	M112.912	1.1	BK5RETC	BK5RETI	BK5RETIP
C250	W204 CGI	1800	2009->	4	M271.860	0.8	LDK7RTC	LDK7RTI	LDK7RTIP
C280	W202	2800	1994->1997	6	M104.901	0.8	BK6ETC	BK6ETI	BK6ETIP
C280	W202	2800	1994->2000	6	M112.920	1.1	BK5RETC	BK5RETI	BK5RETIP
C280	W203	3000	2007->	6	M272.941	0.8	LDK7RTC	LDK7RTI	LDK7RTIP
C280	W204	3000	2007->	6	M272.947,M272.948	0.8	LDK7RTC	LDK7RTI	LDK7RTIP
C300	W 204	3000	2009->	6	M272.947	0.8	LDK7RTC	LDK7RTI	LDK7RTIP
C32	W203 AMG	3200	2000->	6	M112.691	1	BK6RETC	BK6RETI	BK6RETIP
C320	W203	3200	2001->2005	6	OM112.946	1.1	BK5RETC	BK5RETI	BK5RETIP
C350	W203	3500	2005->	6	M272.960,970	0.8	LDK7RTC	LDK7RTI	LDK7RTIP
C350	W204	3500	2007->	6	M272.961	0.8	LDK7RTC	LDK7RTI	LDK7RTIP
C350	W204 CGI	3500	2008->	6	M272.982	0.8	LDK7RAC	LDK7RAI	LDK7RAIP
C55 TWIN SPARK	W203 AMG	5400	2004->	8	M113.988	1	BK6RETC	BK6RETI	BK6RETIP
C63	W204 AMG	6300	2007->	8	M156.985	1	LDA7RAC	LDA7RAI	LDA7RAIP
C63AMG	W205 4.0 T	4000	2015->	8	M177.980	0.7	LDA8RACA	LDA8RAIA	LDA8RAIPA
CL500	W215	5000	2000->	8	M113.960	1.1	BK5RETC	BK5RETI	BK5RETIP

A
B
C
D
E
F
G
H
I
J
K
L
M
N
O
P
Q
R
S
T
U
V
W
X
Y
Z
VEHICLE MODEL MATCHING TABLE

A
B
C
D
E
F
G
H
I
J
K
L
M
N
O
P
Q
R
S
T
U
V
W
X
Y
Z
VEHICLE MODEL MATCHING TABLE

Model	Type	Capacity	Year	Cyl	Engine	Gap	TAKUMI-Classic*	TAKUMI-Super*	TAKUMI-XSuper*
CL500	W216	5500	2006->	8	M273.961	0.8	LDK7RTC	LDK7RTI	LDK7RTIP
CL55	W215 AMG	5500	2001->	8	M113.986	1.1	BK5RETC	BK5RETI	BK5RETIP
CL55	W215 AMG	5500	2001->	8	M113.991	0.8	LBK6RETC	LBK6RETI	LBK6RETIP
CL600	W140	6000	2000->	12	M120.982	1.1	BK5RETC	BK5RETI	BK5RETIP
CL600	W216 TWIN SPARK	6000	2006->	12	M275.953	0.8	BK6RETC	BK6RETI	BK6RETIP
CL63	W216 AMG	6300	2006->	8	M156.984	1	LDA7RAC	LDA7RAI	LDA7RAIP
CL65	W215 AMG	6000	2003->	12	M275.980	0.8	BK6RETC	BK6RETI	BK6RETIP
CL65	W216 AMG	6000	2007->	12	M275.982	0.8	BK6RETC	BK6RETI	BK6RETIP
CLA200	W117 CGI	1600	2012->	4	M270.910	0.7	LDA8RACA	LDA8RAIA	LDA8RAIPA
CLA250	W117 CGI	2000	2012->	4	M270.920	0.7	LDA8RACA	LDA8RAIA	LDA8RAIPA
CLA45AMG	W 117 AMG	2000	2013->	4	M133.980	0.7	LDA8RACA	LDA8RAIA	LDA8RAIPA
CLC 180	W203	1800	2008->	4	M271.946	0.8	LBK6RETC	LBK6RETI	LBK6RETIP
CLC 230	W203	2500	2008->	6	M272.920	0.8	LDK7RTC	LDK7RTI	LDK7RTIP
CLC 350	W203	3500	2008->	6	M272.960	0.8	LDK7RTC	LDK7RTI	LDK7RTIP
CLC200	W203	1800	2008->	4	M271.957	0.8	LDK7RTC	LDK7RTI	LDK7RTIP
CLK230	W208	2300	1998->2000	4	M111.973	1	BK6REJC	BK6RETI	BK6RETIP
CLK230	W208	2300	2000->2002	4	M111.982	1	BK6RETC	BK6RETI	BK6RETIP
CLK320	W208 COUPE	3200	1998->2002	6	M112.940	1.1	BK5RETC	BK5RETI	BK5RETIP
CLK320	W209	3200	2003->	6	M112.955	1.1	BK5RETC	BK5RETI	BK5RETIP
CLK350	W209	3500	2006->	6	M272.960	0.8	LDK7RTC	LDK7RTI	LDK7RTIP
CLK430	W208 ELEGANCE	4300	2000->	8	M113.943	1.1	BK5RETC	BK5RETI	BK5RETIP
CLK500	W209	5000	2002->	8	M113.968	1.1	BK5RETC	BK5RETI	BK5RETIP
CLK500	W209	5000	2002->	8	M113.968	1.1	BK5RETC	BK5RETI	BK5RETIP
CLK500	W209	5500	2006->	8	M273.967	0.8	LDK7RTC	LDK7RTI	LDK7RTIP
CLK55	W208 AMG	5500	1993->2002	8	M113.980	1.1	BK5RETC	BK5RETI	BK5RETIP
CLK55	W209 AMG	5400	2002->	8	M113.987	1	BK6RETC	BK6RETI	BK6RETIP
CLK63	W209	6300	2006->2006	8	M156.982	1	LDA7RAC	LDA7RAI	LDA7RAIP
CLK63	W209	6300	2007->	8	M156.982	1	LDA7RAC	LDA7RAI	LDA7RAIP
CLS350	W219	3500	2004->	6	M272.964	0.8	LDK7RTC	LDK7RTI	LDK7RTIP
CLS350	W219 CGI	3500	2006->	6	M272.985	0.8	LDK7RAC	LDK7RAI	LDK7RAIP
CLS400	X218 3.5 I	3500	2013->	6	M276.850	0.7	LDA8RACA	LDA8RAIA	LDA8RAIPA
CLS500	W219	5000	2006->	8	M113.967	1.1	BK5RETC	BK5RETI	BK5RETIP
CLS500	W219	5000	2006->	8	M273.960	0.8	LDK7RTC	LDK7RTI	LDK7RTIP
CLS500AMG	W219 4.7 I	4700	2012->	8	M278.922	0.8	LDK7RAC	LDK7RAI	LDK7RAIP
CLS55	W219	5500	2006->	8	M113.990	0.8	LBK6RETC	LBK6RETI	LBK6RETIP
CLS63	W219 AMG	6300	2006->	8	M156.983	1	LDA7RAC	LDA7RAI	LDA7RAIP
CLS63 SHOOTING BREAK	X218 5.5 I	5500	2012->	8	M157.981	0.8	LDK7RTC	LDK7RTI	LDK7RTIP
CLS63AMG	X218 5.5 I	5500	2012->	8	M157.981	0.8	LDK7RAC	LDK7RAI	LDK7RAIP
E200	W124	2000	1993->1995	4	M111.940	0.8	BK6ETC	BK6ETI	BK6ETIP
E200	W210	2000	2001->2003	4	M111.957	1	BK6RETC	BK6RETI	BK6RETIP
E200	W211	1800	2006->	4	M271.956	0.8	LDK7RTC	LDK7RTI	LDK7RTIP
E200	W211	1800	2006->2006	4	M271.956	0.8	LBK6RETC	LBK6RETI	LBK6RETIP
E200	W211	1800	2002->2006	4	M271.941	0.8	LDK7RTC	LDK7RTI	LDK7RTIP
E200	W212 CGI	1800	2009->	4	M271.820	0.8	LDK7RTC	LDK7RTI	LDK7RTIP
E220	W124	2200	1993->1996	4	M111.960	0.8	BK6ETC	BK6ETI	BK6ETIP
E230	W210	2300	1996->1998	4	M111.970	0.8	BK6ETC	BK6ETI	BK6ETIP
E240	W210	2600	2000->2003	6	M112.914	1.1	BK5RETC	BK5RETI	BK5RETIP
E240	W210 ELEGANCE	2400	1997->1999	6	M112.911	1.1	BK5RETC	BK5RETI	BK5RETIP
E240	W211	2600	2003->	6	M112.917	1.1	BK5RETC	BK5RETI	BK5RETIP
E240	W211 V6	2600	2001->	6	M112.913	1.1	BK5RETC	BK5RETI	BK5RETIP
E250	W212 CGI	1800	2009->	4	M271.860	0.8	LDK7RTC	LDK7RTI	LDK7RTIP
E280	W124,W210	2800	1995->1997	6	M104.945	0.8	BK6ETC	BK6ETI	BK6ETIP
E280	W210	2800	1997->	6	M112.921	1.1	BK5RETC	BK5RETI	BK5RETIP
E280	W211	3000	2006->	6	M272.944	0.8	LDK7RTC	LDK7RTI	LDK7RTIP
E300	W124	3000	1993->1997	6	M104.980	0.8	BK6ETC	BK6ETI	BK6ETIP
E300	W212 3.0 V6	3000	2009->2010	6	M272.952	0.8	LDK7RTC	LDK7RTI	LDK7RTIP
E320	W124,W210	3200	1993->1997	6	M104.992	0.8	BK6ETC	BK6ETI	BK6ETIP
E320	W210	3200	1996->1997	6	M112.941	1.1	BK5RETC	BK5RETI	BK5RETIP
E320	W211	3200	2002->	6	M112.949	1	BK6RETC	BK6RETI	BK6RETIP
E350	W211	3500	2004->	6	M272.964	0.8	LDK7RTC	LDK7RTI	LDK7RTIP
E350	W211 4 MATIC	3500	2004->	6	M272.972	0.8	LDK7RTC	LDK7RTI	LDK7RTIP
E350	W211 CGI	3500	2008->	6	M272.985	0.8	LDK7RAC	LDK7RAI	LDK7RAIP
E350	W212 BLUE EFFICIENCY	3500	2009->	6	M272.983	0.8	LDK7RAC	LDK7RAI	LDK7RAIP

Model	Type	Capacity	Year	Cyl	Engine	Gap	TAKUMI-Classic*	TAKUMI-Super*	TAKUMI-XSuper*
E400	S212 3.0 I	3000	2013->	6	M276.850	0.7	LDA8RACA	LDA8RAIA	LDA8RAIPA
E430	W210 ELEGANCE	4300	1998->2003	8	M113.940	1.1	BK5RETC	BK5RETI	BK5RETIP
E500	W211	5000	2002->	8	M113.967	1.1	BK5RETC	BK5RETI	BK5RETIP
E500	W211	5500	2006->	8	M273.960,2	0.8	LDK7RTC	LDK7RTI	LDK7RTIP
E500	W212	5500	2009->	8	M273.971	0.8	LDK7RTC	LDK7RTI	LDK7RTIP
E55	W211 AMG	5500	2002->	8	M113.990	0.8	LBK6RETC	LBK6RETI	LBK6RETIP
E63	W211 AMG	6300	2006->	8	M156.983	1	LDA7RAC	LDA7RAI	LDA7RAIP
E63	W212 5.5 I	5500	2011->	8	M157.981	0.8	LDK7RAC	LDK7RAI	LDK7RAIP
E63 S	W212 6.3I	6300	2012->	8	M157.981	0.8	LDK7RAC	LDK7RAI	LDK7RAIP
G300	W463 3.0 I	3000	1993->1994	6	M 103.987	0.8	BT6EFTC	BT6EFTI	BT6EFTIP
G500	W463 5.0 I	5000	2000->	8	M113.962	1.1	BK5RETC	BK5RETI	BK5RETIP
G500	W463 5.5 I	5500	2008->	8	M273.963	0.8	LDK7RTC	LDK7RTI	LDK7RTIP
G55	W463 5.5 I	5500	2004->	8	M113.993	0.8	LBK6RETC	LBK6RETI	LBK6RETIP
G63	W463 6.3 I	6300	2013->2015	8	M157.984		LDK7RAC	LDK7RAI	LDK7RAIP
GL450	W164 4.5 I	4500	2007->	8	M273.923	0.8	LDK7RTC	LDK7RTI	LDK7RTIP
GL500	W164 5.5 I	5500	2006->	8	M273.963	0.8	LDK7RTC	LDK7RTI	LDK7RTIP
GL63	X166 5.5	5500	2013->	8	M157.982	0.8	LDK7RAC	LDK7RAI	LDK7RAIP
GLA	45 AMG	2000	2013->	4	M133.980	0.7	LDA8RACA	LDA8RAIA	LDA8RAIPA
GLA	GLA200	1600	2013->	4	M270.910	0.7	LDA8RACA	LDA8RAIA	LDA8RAIPA
GLA	GLA250	2000	2013->	4	M270.920	0.7	LDA8RACA	LDA8RAIA	LDA8RAIPA
GLC	250 T X156	2000	2016->	4	M270.920	0.7	LDA8RACA	LDA8RAIA	LDA8RAIPA
GLE	W166 400 T	3000	2016->	6	M276.871	0.7	LDA8RACA	LDA8RAIA	LDA8RAIPA
GLE	W166 43AMG	3000	2016->	6	M276.821	0.7	LDA8RACA	LDA8RAIA	LDA8RAIPA
GLE	W166 500 T	4700	2016->	8	M278.928	0.8	LDK7RAC	LDK7RAI	LDK7RAIP
GLE	W166 63AMG	5500	2016->	8	M157.982	0.8	LDK7RAC	LDK7RAI	LDK7RAIP
GLE	W166 63AMG S	5500	2016->	8	M157.982	0.8	LDK7RAC	LDK7RAI	LDK7RAIP
GLS	W166 63AMG	5500	2016->	8	M157.982	0.8	LDK7RAC	LDK7RAI	LDK7RAIP
ML	W163 3.2 I	3200	2000->	6	M112.942	1.1	BK5RETC	BK5RETI	BK5RETIP
ML	W163 3.7 I	3700	2000->2005	6	M112.970	1.1	BK5RETC	BK5RETI	BK5RETIP
ML	W163 4.3 I	4300	2000->	8	M113.942	1.1	BK5RETC	BK5RETI	BK5RETIP
ML	W163 5.5 AMG	5500	2002->2005	8	M113.981	1.1	BK5RETC	BK5RETI	BK5RETIP
ML	W164 3.5 I	3500	2007->	6	M272.967	0.8	LDK7RTC	LDK7RTI	LDK7RTIP
ML	W164 5.0 I	5000	2006->	8	M113.964/5	1.1	BK5RETC	BK5RETI	BK5RETIP
ML	W164 5.5 I	5500	2007->	8	M273.963	0.8	LDK7RTC	LDK7RTI	LDK7RTIP
ML	W164 6.3 AMG	6300	2006->	8	M156.980	1	LDA7RAC	LDA7RAI	LDA7RAIP
ML	W166 ML400	3000	2014->2015	6	M276.821	0.7	LDA8RACA	LDA8RAIA	LDA8RAIPA
ML	W166 ML63 AMG	5500	2012->2015	8	M157.982	0.8	LDK7RAC	LDK7RAI	LDK7RAIP
R63	W251 AMG	6300	2006->	8	M156.980	1	LDA7RAC	LDA7RAI	LDA7RAIP
R300	W251	3000	2009->	6	M272.945	0.8	LDK7RTC	LDK7RTI	LDK7RTIP
R350	W251	3500	2007->	6	M272.967	0.8	LDK7RTC	LDK7RTI	LDK7RTIP
R500	W251	5000	2007->	8	M113.971	1.1	BK5RETC	BK5RETI	BK5RETIP
R500	W251	5500	2007->	8	M273.963	0.8	LDK7RTC	LDK7RTI	LDK7RTIP
S320	W140	3200	1993->1994	6	M104.990	0.8	BK6RETC	BK6RETI	BK6RETIP
S320	W220	3200	2000->	6	M112.944	1.1	BK5RETC	BK5RETI	BK5RETIP
S350	W220	3700	2004->	6	M112.972	1.1	BK5RETC	BK5RETI	BK5RETIP
S350	W221	3500	2005->	6	M272.965	0.8	LDK7RTC	LDK7RTI	LDK7RTIP
S400	W221 BLUEHYBRID	3500	2009->	6	M272.974	0.8	LDK7RTC	LDK7RTI	LDK7RTIP
S420	W140	4200	1996->1998	8	M119.971	0.8	BK6RETC	BK6RETI	BK6RETIP
S430	W220	4300	2000->	8	M113.941	1.1	BK5RETC	BK5RETI	BK5RETIP
S500	W140	5000	1993->1999	8	M119.970	0.8	BK6ETC	BK6ETI	BK6ETIP
S500	W220	5000	2000->	16	M113.960	1.1	BK5RETC	BK5RETI	BK5RETIP
S500	W221	5000	2006->	8	M273.961	0.8	LDK7RTC	LDK7RTI	LDK7RTIP
S500	W222 4.7 I	4700	2013->	8	M278.929	0.8	LDK7RAC	LDK7RAI	LDK7RAIP
S55	W220 AMG	5500	1999->	8	M113.986	1.1	BK5RETC	BK5RETI	BK5RETIP
S55	W220 AMG KOMPRESSOR	5500	2003->	8	M113.991	0.8	LBK6RETC	LBK6RETI	LBK6RETIP
S600	W140	6000	1996->2000	12	M120.980	0.8	BK6RETC	BK6RETI	BK6RETIP
S600	W220	6000	2000->2002	12	M137.970	1	BK6RETC	BK6RETI	BK6RETIP
S600	W220	6000	2002->	12	M275.950	0.8	BK6RETC	BK6RETI	BK6RETIP
S600	W221	6000	2006->	12	M275.953	0.8	BK6RETC	BK6RETI	BK6RETIP
S600	W222	6000	2006->	12	M275.953 TS	0.8	BK6RETC	BK6RETI	BK6RETIP
S63	W221	5500	2006->	8	M156.984	1	LDA7RAC	LDA7RAI	LDA7RAIP
S63	W222 S63AMG	5500	2013->	8	M197.985	0.8	LDK7RAC	LDK7RAI	LDK7RAIP
S65	S65 AMG	6000	2013->	12	M275.982	0.8	BK6RETC	BK6RETI	BK6RETIP
S65	W221 AMG	6000	2006->	12	M275.982	0.8	BK6RETC	BK6RETI	BK6RETIP
SL320	R129	3200	1998->	6	M112.943	1.1	BK5RETC	BK5RETI	BK5RETIP
SL400	R231 SL400	3000	2013->	6	M276.825	0.7	LDA8RACA	LDA8RAIA	LDA8RAIPA
SL500	R129	5000	1998->	8	M113.961	1.1	BK5RETC	BK5RETI	BK5RETIP
SL500	R230	5000	2002->	8	M113.963	1.1	BK5RETC	BK5RETI	BK5RETIP
SL500	R230	5500	2006->	8	M273.965	0.8	LDK7RTC	LDK7RTI	LDK7RTIP
SL500	R231 SL500	4700	2013->	8	M278.927	0.8	LDK7RAC	LDK7RAI	LDK7RAIP
SL55	R230 AMG	5500	2002->	8	M113.992	0.8	LBK6RETC	LBK6RETI	LBK6RETIP
SL600	R129	6000	1998->	12	M120.983	1.1	BK5RETC	BK5RETI	BK5RETIP
SL600	R129	6000	2001->	12	M120.983	1.1	BK5RETC	BK5RETI	BK5RETIP

A
B
C
D
E
F
G
H
I
J
K
L
M
N
O
P
Q
R
S
T
U
V
W
X
Y
Z
VEHICLE MODEL MATCHING TABLE

A
B
C
D
E
F
G
H
I
J
K
L
M
N
O
P
Q
R
S
T
U
V
W
X
Y
Z
VEHICLE MODEL MATCHING TABLE

Model	Type	Capacity	Year	Cyl	Engine	Gap	TAKUMI-Classic*	TAKUMI-Super*	TAKUMI-XSuper*
SL600	R230	5500	2001->	12	M275.951	0.8	BK6RETC	BK6RETI	BK6RETIP
SL63	R230	5500	2008->	8	M156.981	1	LDA7RAC	LDA7RAI	LDA7RAIP
SL63	R231 SL63AMG	5500	2013->	8	M197.983	0.7	LDK7RAC	LDK7RAI	LDK7RAIP
SL65	R230 AMG	6000	2006->	12	M275.981	0.8	BK6RETC	BK6RETI	BK6RETIP
SL73	W129 AMG	7300	1999->	12	M120.E73	1.1	BK5RETC	BK5RETI	BK5RETIP
SLK200	R170	2000	1997->2000	4	M111.943	1	BK6REJC	BK6RETI	BK6RETIP
SLK200	R170	2000	2001->	4	M111.958	1	BK6RETC	BK6RETI	BK6RETIP
SLK200	R171	1800	2004->2006	4	M271.944	0.8	LBK6RETC	LBK6RETI	LBK6RETIP
SLK200	R171	1800	2006->2010	4	M271.944	0.8	LDK7RTC	LDK7RTI	LDK7RTIP
SLK200	R172	1800	2011->	4	M271.861	0.8	LDK7RTC	LDK7RTI	LDK7RTIP
SLK230	R170	2300	1997->2000	4	M111.973	0.8			
SLK230	R170 K	2300	2000->	4	M111.983	1	BK6RETC	BK6RETI	BK6RETIP
SLK250	R172	1800	2011->	4	M271.861	0.8	LDK7RTC	LDK7RTI	LDK7RTIP
SLK32	R170 K	3200	2001->	6	M112.960	1	BK6RETC	BK6RETI	BK6RETIP
SLK320	R170	3200	2001->	6	M112.947	1.1	BK5RETC	BK5RETI	BK5RETIP
SLK350	R171	3500	2007->	6	M272.963	0.8	LDK7RTC	LDK7RTI	LDK7RTIP
SLK350	R172	3500	2011->	6	M276.956		LDK7RAC	LDK7RAI	LDK7RAIP
SLK55	R171 AMG	5500	2004->2007	8	M113.989	1	BK6RETC	BK6RETI	BK6RETIP
SLK55	R172	5500	2011->	8	M152.980		LDK7RAC	LDK7RAI	LDK7RAIP
SLR MC LAREN	R199	5400	2006->	8	M155.980	0.8	LBK6RETC	LBK6RETI	LBK6RETIP
VIANO	W639 3.5 I	3500	2007->	6	M272.979	0.8	LDK7RTC	LDK7RTI	LDK7RTIP
VITO	114 I	2300	1996->2003	4	M111.978	1	BK5RETC	BK5RETI	BK5RETIP
MG									
MG 3	1.5 I	1500	2013->	4		0.8	BK6RETC	BK6RETI	BK6RETIP
MG6	1.8 T	1800	2012->	4	18 K4K	0.8	BK6RETC	BK6RETI	BK6RETIP
TF-SERIES	1.2 I K - SERIES	1800	2003->	4		1.1	BK6RETC	BK6RETI	BK6RETIP
TF-SERIES	1.6 I	1800	2003->	4		1.1	BK6RETC	BK6RETI	BK6RETIP
TF-SERIES	1.8 I	1800	2003->	4	18K4K	1.1	BK6RETC	BK6RETI	BK6RETIP
TF-SERIES	1.8 I K - SERIES	1800	2002->	4	18K4K	1.1	BK6RETC	BK6RETI	BK6RETIP
ZR-SERIES	1.2 L	1800	2003->	4	K	1.1	BK6RETC	BK6RETI	BK6RETIP
ZR-SERIES	1.6 S	1800	2003->	4	K VVC	1.1	BK6RETC	BK6RETI	BK6RETIP
ZS180	2.5 SX	2500	2001->	6	25K4F	1.1	BK6RETC	BK6RETI	BK6RETIP
ZT-SERIES	190	2500	2003->	6	25K4F	1.1	BK6RETC	BK6RETI	BK6RETIP
ZT-SERIES	1.6 TURBO	1800	2003->	4	K	1.1	BK6RETC	BK6RETI	BK6RETIP
MINI									
CLUBMAN COOPER S	2.0 T	2000	2015->	4	B46A 20A	0.8	LDA8RTCA(BI-HEX)	LDA8RTIA(BI-HEX)	LDA8RTIPA(BI-HEX)
COUNTRYMAN	1.6 COUNTRYMAN S	1600	2012->	4	N18B16C	0.8	LDA7RAC(BI-HEX)	LDA7RAI(BI-HEX)	LDA7RAIP(BI-HEX)
COUNTRYMAN	1.6 T	1600	2010->	4	N16B16A	0.8	LDA7RAC(BI-HEX)	LDA7RAI(BI-HEX)	LDA7RAIP(BI-HEX)
COUNTRYMAN S	2.0 T	2000	2016->	4	B46A 20A	0.8	LDA8RTCA(BI-HEX)	LDA8RTIA(BI-HEX)	LDA8RTIPA(BI-HEX)
COUNTRYMAN S	2.0 T	2000	2016->	4	B46A 20A	0.8	LDA8RTCA(BI-HEX)	LDA8RTIA(BI-HEX)	LDA8RTIPA(BI-HEX)
COUNTRYMAN S	2.0 T	2000	2016->	4	B48A 20A	0.8	LDA8RTCA(BI-HEX)	LDA8RTIA(BI-HEX)	LDA8RTIPA(BI-HEX)
MINI CLUBMAN	1.5 I	1500	2015->	4	B36A 15A	0.8	LDA8RTCA(BI-HEX)	LDA8RTIA(BI-HEX)	LDA8RTIPA(BI-HEX)
MINI COOPER	1.6 CVT	1600	2002->	4	W10 B16A	0.8	BK6REQC	BK6RETI	BK6RETIP
MINI COOPER	1.6 GDI,TURBO	1600	2007->	4	N14 B16	0.8	LDA7RAC(BI-HEX)	LDA7RAI(BI-HEX)	LDA7RAIP(BI-HEX)
MINI COOPER	1.6 S 16V	1600	2003->	4	W11 B16A	0.8	BK6REQC	BK6RETI	BK6RETIP
MINI COOPER	1.6 S 16V JCW	1600	2005->	4	W11 B16A	0.8	BK7RETQC	BK7RETI	BK7RETIP
MINI COOPER S	1.6 SUPER CHARGED	1600	2002->2007	4	W11 B16A	0.8	BK6REQC	BK6RETI	BK6RETIP
MINI COOPER S	1.6 TURBO	1600	2008->	4	N14 B16A	0.8	LDA7RAC(BI-HEX)	LDA7RAI(BI-HEX)	LDA7RAIP(BI-HEX)
MINI COOPER S	2.0 T	2000	2013->	4	B46A 20A	0.8	LDA8RTCA(BI-HEX)	LDA8RTIA(BI-HEX)	LDA8RTIPA(BI-HEX)
MINI COOPER S	2.0 T	2000	2013->	4	B46A 20A	0.8	LDA8RTCA(BI-HEX)	LDA8RTIA(BI-HEX)	LDA8RTIPA(BI-HEX)
MINI COOPER WORKS	1.6 SUPERCHARGED	1600	2003->2007	4	W11 B16A	0.8	BK7RETQC	BK7RETI	BK7RETIP
MINI COOPER WORKS	2.0 T	2000	2015->	4	B48A 20 B	0.8	LDA8RTCA(BI-HEX)	LDA8RTIA(BI-HEX)	LDA8RTIPA(BI-HEX)
MINI ONE	1.4 MINI ONE	1400	2007->	4	N12 B14A	0.8	LDA7RAC(BI-HEX)	LDA7RAI(BI-HEX)	LDA7RAIP(BI-HEX)
MINI ONE	1.6 MINI ONE	1600	2010->	4	N16 B16A	0.8	LDA7RAC(BI-HEX)	LDA7RAI(BI-HEX)	LDA7RAIP(BI-HEX)
PACEMAN	1.6 I	1600	2012->	4	N16 B16A	0.8	LDA7RAC(BI-HEX)	LDA7RAI(BI-HEX)	LDA7RAIP(BI-HEX)
PACEMAN	1.6 T ALL 4 WORKS	1600	2013->	4	N18B16C	0.8	LDA7RAC(BI-HEX)	LDA7RAI(BI-HEX)	LDA7RAIP(BI-HEX)
PACEMAN	1.6 Y PACEMAN S	1600	2013->	4	N18B16A	0.8	LDA7RAC(BI-HEX)	LDA7RAI(BI-HEX)	LDA7RAIP(BI-HEX)
MITSUBISHI									
ASX	2.0 I	2000	2011->	4	4B11	0.8	BK6RETC	BK6RETI	BK6RETIP
COLT	1.6 L	1600	1994->1998	4	4G32	0.8	B6RETC	B6RETI	B6RETIP
COLT	2.0 I	2000	1998->	4	4G63	0.8	B6RETC	B6RETI	B6RETIP
COLT	2.0 L	2000	1994->1998	4	4G63	0.8	B6RETC	B6RETI	B6RETIP
COLT	2.4 I HI-LINE	2400	1998->	4	4G64	0.8	BK5RETC	BK5RETI	BK5RETIP
COLT	2.6 SE	2600	1995->	4	4G54	0.8	B5RETC	B5RETI	B5RETIP
COLT	3.0 V6	3000	1994->1997	6	6G72	1.1	B5RETC	B5RETI	B5RETIP
COLT	3.0 V6	3000	1998->	6	6G72	1.1	BK6RETC	BK6RETI	BK6RETIP
COLT GALANT	1.6 GL	1600	1977->1984	4	4G32	0.8	B5RETC	B5RETI	B5RETIP
COLT GALANT	2.0 GLX	2000	1977->1984	4	4G52	0.8	B5RETC	B5RETI	B5RETIP

Model	Type	Capacity	Year	Cyl	Engine	Gap	TAKUMI-Classic*	TAKUMI-Super*	TAKUMI-XSuper*
COLT GALANT	2.6 L	2600	1979->1984	4	4G54	0.8	B5RETC	B5RETI	B5RETIP
GALANT	2.4 GDI	2400	2001->	4	4G64	0.8	BK6REDY	BK6RETI	BK6RETIP
GT	3.0 GT V6	3000	1999->	6		1.1	BK6RETC	BK6RETI	BK6RETIP
L 300	1.6 H	1600	1982->1985	4	4G32	0.8	B5RETC	B5RETI	B5RETIP
L 300	1.8 H	1800	1983->1987	4	4G62	0.8	B6RETC	B6RETI	B6RETIP
L 300	2.0 LWB, HI	2000	1987->	4	4G63	0.8	B6RETC	B6RETI	B6RETIP
L 300	2.0 STAR WAGON	2000	1985->1995	4	4G63	0.8	B6RETC	B6RETI	B6RETIP
LANCER	1.5 I SPORTBACK	1500	2008->	4	4A91	1.1	LBK6REAC	LBK6REAI	LBK6REAIP
LANCER	1.6 GLX	1600	2003->	4	4G18	1.1	BK5RETC	BK5RETI	BK5RETIP
LANCER	2.0 VVT	2000	2006->2008	4	4B11TC	0.8	LBK6RETC	LBK6RETI	LBK6RETIP
LANCER	2.0 EVO 10	2000	2008->2010	4	4B11 TC	0.6	LDK8RTC	LDK8RTI	LDK8RTIP
LANCER	2.0 EVO 6 TURBO	2000	2004->	4	4G63	0.8	B7REC	B7REI	B7REIP
LANCER	2.0 EVO 7	2000	2001->	4	4G63	0.8	B7REC	B7REI	B7REIP
LANCER	2.0 EVO 8	2000	2006->	4	4G63 CT9A	0.8	B7REC	B7REI	B7REIP
LANCER	2.0 EVO 9	2000	2006->2007	4	4G63	0.8	LBK6RETC	LBK6RETI	LBK6RETIP
MIRAGE	1.2 I	1200	2014->	3	3A92	1.1	LBK5REAC	LBK5REAI	LBK5REAIP
OUTLANDER	2.4 GLS	2400	2012->	4	4B12	1	BK5RETC	BK5RETI	BK5RETIP
OUTLANDER	2.4 I	2400	2003->	4	4G69	0.8	LBK6REAC	LBK6REAI	LBK6REAIP
OUTLANDER	2.4 I	2400	2007->	4	4B12	0.8	BK5RETC	BK5RETI	BK5RETIP
OUTLANDER	2.4 SE	2400	2009->	4	4B12	0.8	BK6RETC	BK6RETI	BK6RETIP
OUTLANDER	3.0 XLS	3000	2009->	6	6B31 FI	0.8	LDK7RTC	LDK7RTI	LDK7RTIP
PAJERO	1.6 I	1600	1999->2002	4	4G18	0.8	BK6RETC	BK6RETI	BK6RETIP
PAJERO	1.8 I	1800	1999->2002	4	4G93	0.8	BK6RETC	BK6RETI	BK6RETIP
PAJERO	2.0 I	2000	2000->	4	4G94	0.6	BK5REAC	BK5REAI	BK5REAIP
PAJERO	3.0 GLS V6	3000	1989->1992	6	6G72	1.1	B5RETC	B5RETI	B5RETIP
PAJERO	3.0 I	3000	1993->2000	6	6G72	1.1	BK6RETC	BK6RETI	BK6RETIP
PAJERO	3.5 GLS V6	3500	1995->2000	6	6G74	1.1	BK6RETC	BK6RETI	BK6RETIP
PAJERO	3.5 GLS V6	3500	2000->2004	6	6G74	1.1	BK6RETC	BK6RETI	BK6RETIP
PAJERO	3.8 V6	3800	2007->	6	6G75	0.8	BK6RETC	BK6RETI	BK6RETIP
SHOGUN	3.0 I	3000	1991->1994	6	6G72	1.1	B5RETC	B5RETI	B5RETIP
SHOGUN	3.0 I	3000	1994->	6	6G72	1.1	BK6RETC	BK6RETI	BK6RETIP
SHOGUN	3.5 I	3500	2000->	6	6G74	0.6	BK5REAC	BK5REAI	BK5REAIP
SPACE GEAR	2.4 GLX	2400	1994->2007	4		1.1	BK5RETC	BK5RETI	BK5RETIP
TREDIA	1.4 S	1400	1983->1986	4	4G12	0.8	B5RETC	B5RETI	B5RETIP
TREDIA	1.6 SL	1600	1983->1986	4	4G32	0.8	B5RETC	B5RETI	B5RETIP
TREDIA	1.8 SL,SLX	1800	1983->1986	4	4G62	0.8	B5RETC	B5RETI	B5RETIP
TREDIA	1.8 VORTEX, TURBO	1800	1984->1986	4	4G62	0.8	B7EC	B7EI	B7EIP
TRITON	2.4 GL	2400	2013->	4	4G64		BK5REAC	BK5REAI	BK5REAIP
TRITON	2.4 I	2400	2006->	4	4G64	1.1	BK5RETC	BK5RETI	BK5RETIP
TRITON	3.5 I	3500	2011->	6	6G74	1.1	BK5RETC	BK5RETI	BK5RETIP
NISSAN									
1 TONNER	1.6 K	1600	1988->1999	4	L16	0.8	B5RETC	B5RETI	B5RETIP
1 TONNER	1.8 S	1800	1988->1995	4	L18	0.8	B6RETC	B6RETI	B6RETIP
1 TONNER	2.4 L	2400	1988->1999	4	Z24	0.8	B6RETC	B6RETI	B6RETIP
1 TONNER	3.0 V6	3000	1990->2002	6	VG30E	0.8	BK6RETC	BK6RETI	BK6RETIP
120	1.2 Y - DL,SDX	1200	1972->1980	4	A12	0.8	B5RETC	B5RETI	B5RETIP
1200	1.2 H	1200	1977->1980	4	A12	0.8	B5RETC	B5RETI	B5RETIP
140	1.4 Y - GX	1400	1975->	4	L14	0.8	B5RETC	B5RETI	B5RETIP
140	1.4 Y - SDX	1400	1975->	4	A14	0.8	B5RETC	B5RETI	B5RETIP
1400	1.4 L	1400	1980->	4	A14	0.8	B5RETC	B5RETI	B5RETIP
160	1.6 Z - COUPE	1600	1975->	4	L16	0.8	B5RETC	B5RETI	B5RETIP
160J	1.6 Y - GX COUPE	1600	1980->	4	L16	0.8	B5RETC	B5RETI	B5RETIP
1800	1.8 KINGCAB 4 X4	1800	1980->	4	L18	0.8	B6RETC	B6RETI	B6RETIP
1800J	1.8 J GL,SSS	1800	1972->	4	L18T	0.8	B6RETC	B6RETI	B6RETIP
1800J	1.8 J SNG CARB	1800	1972->	4	L18S	0.8	B6RETC	B6RETI	B6RETIP
200SX	1.8 TURBO	1800	1991->1995	4	CA18DET	1.1	BK6RETC	BK6RETI	BK6RETIP
200SX	2.0 TURBO	2000	1997->	4	SR20DET	0.9	BK6RETC	BK6RETI	BK6RETIP
2200	2.2 TRACKER 4 X4	2200	1982->1983	4	Z22	0.8	B6RETC	B6RETI	B6RETIP
280ZX	2.8 ZX	2800	1981->1983	6	L28E	1.1	B6ETC	B6ETI	B6ETIP
300ZX	3.0 NON TURBO	3000	1984->1989	6	VG30E	1.1	BK6RETC	BK6RETI	BK6RETIP
300ZX	3.0 TURBO	3000	1990->	6	VG30ET	1.1	BK6RETC	BK6RETI	BK6RETIP
300ZX	3.0 TWIN TURBO	3000	1991->1994	6	VG30DETT	1.1	BK6RETC	BK6RETI	BK6RETIP
350Z	3.5 ROADSTER	3500	2005->	6	VQ35HR	1.1	LDA7RTC	LDA7RTI	LDA7RTIP
350Z	3.5 ROADSTER	3500	2006->	6	VQ35DE	1.1	LBK5RETC	LBK5RETI	LBK5RETIP
370Z	3.7 V6	3700	2009->	6	VQ37VHR	1.1	LDA8RTC	LDA8RTI	LDA8RTIP
620	2.2 DATSUN	2200	1986->	6	Z22	0.8	B6RETC	B6RETI	B6RETIP
720	1.8 LCV	1800	1988->	4	L18	0.8	B5RETC	B5RETI	B5RETIP
ALMERA	1.5 I	1500	2013->	4	HR15DE	1.1	LDK6RAC	LDK6RAI	LDK6RAIP
ALMERA	1.5 I	1500	2002->	4	QG15DE	1.1	LBK5RETC	LBK5RETI	LBK5RETIP
ALMERA	1.6 16V	1600	2001->	4	QG16DE	1.1	BK5RETC	BK5RETI	BK5RETIP
ALMERA	1.6 16V	1600	2011->	4	HR16DE	1.1	LDA6RAC	LDA6RAI	LDA6RAIP
ALMERA	1.8 16V	1800	2000->2003	4	QG18DE	1.1	BK6RETC	BK6RETI	BK6RETIP

A
B
C
D
E
F
G
H
I
J
K
L
M
N
O
P
Q
R
S
T
U
V
W
X
Y
Z
VEHICLE MODEL MATCHING TABLE

Model	Type	Capacity	Year	Cyl	Engine	Gap	TAKUMI-Classic*	TAKUMI-Super*	TAKUMI-XSuper*
ALMERA	1.8 16V	1800	2010->	4	MR18DE	1.1	LDA6RAC	LDA6RAI	LDA6RAIP
ALMERA	1.8 I	1800	2013->	4	MR18DE	1.1	LDA6RAC	LDA6RAI	LDA6RAIP
ARMADA	5.6 V8	5600	2007->	8	VK56DE	1.1	LBK5RETC	LBK5RETI	LBK5RETIP
E20	1.8 EKONOVAN	1800	1981->1996	4	L18	0.8	B6RETC	B6RETI	B6RETIP
E20	2.0 EKONOBUS	2000	1973->1981	4	H20	0.8	B6RETC	B6RETI	B6RETIP
ECONOBUS	1.8 BUS,LCV	1800	1986->	4	L18	0.8	B6RETC	B6RETI	B6RETIP
GT-R	3.8 I	3800	2009->	6	VR38DETT	0.8	LDA7RTC	LDA7RTI	LDA7RTIP
HARDBODY	1.6 I	1600	1999->2002	4	NA16	0.8	B6RETC	B6RETI	B6RETIP
HARDBODY	2.0 I	2000	1999->2002	4	NA20	0.8	B6RETC	B6RETI	B6RETIP
HARDBODY	2.0 I 16V	2000	2002->	4	KA20DE	1.1	BK6RETC	BK6RETI	BK6RETIP
HARDBODY	2.4 12V	2400	2002->	4	KA24E	1.1	BK5RETC	BK5RETI	BK5RETIP
HARDBODY	2.4 16V	2400	1999->2002	4	Z24	0.8	B6RETC	B6RETI	B6RETIP
HARDBODY	2.4 16V	2400	2003->	4	KA24	1.1	BK5RETC	BK5RETI	BK5RETIP
HARDBODY	2.4 I	2400	2001->	4	KA24E	1.1	BK5REAC	BK5REAI	BK5REAIIP
HARDBODY	3.0 I V6	3000	1999->2002	6	VG30E	0.8	BK6RETC	BK6RETI	BK6RETIP
HARDBODY	3.3 I	3300	2002->	6	VG33E	1.1	BK6RETC	BK6RETI	BK6RETIP
INFINITI	4.5 V8	4500	1995->	8	VH45DE	1.1	BK6RETC	BK6RETI	BK6RETIP
JUKE	1.2 T	1200	2014->	4	HRA2DDT	0.7	LDK7RTC	LDK7RTI	LDK7RTIP
JUKE	1.6 16V	1600	2011->	4	HR16DE	1.1	LDA6RAC	LDA6RAI	LDA6RAIP
JUKE	1.6 I	1600	2013->	4	HR16DE	1.1	LDA6RAC	LDA6RAI	LDA6RAIP
JUKE	1.6 TURBO	1600	2012->	4	MR16DDT	0.9	LDA7RTC	LDA7RTI	LDA7RTIP
LANGLEY	1.3 GL	1300	1986->1987	4	E13	0.8	B5RETC	B5RETI	B5RETIP
LANGLEY	1.5 EXA TURBO,SSS,TREBON	1500	1984->1987	4	E15T	0.8	B6RETC	B6RETI	B6RETIP
LANGLEY	1.5 GL,L,SGL	1500	1983->1987	4	E15	0.8	B6RETC	B6RETI	B6RETIP
LAUREL	2.0 G	2000	1980->1983	4	L20	0.8	B6RETC	B6RETI	B6RETIP
LAUREL	2.8 GL,L	2800	1978->1985	6	L28 (CARB)	0.8	B6RETC	B6RETI	B6RETIP
LAUREL	2.8 SGL	2800	1986->1987	6	L28E FUEL INJ	1.1	B6RETC	B6RETI	B6RETIP
LIVINA	1.6 I	1600	2007->	4	L10	1.1	LDA6RAC	LDA6RAI	LDA6RAIP
LIVINA	3.8 GT-R	3800	2012->	6	VR38DETT	0.8	LDA7RTC	LDA7RTI	LDA7RTIP
MAXIMA	2.0 QX	2000	1997->	6	VQ20DE	1.1	BK6RETC	BK6RETI	BK6RETIP
MAXIMA	3.0 E,SE	3000	1991->1996	6	VG30E	1.1	BK6RETC	BK6RETI	BK6RETIP
MAXIMA	3.0 QX	3000	2000->	6	VQ30DE	1.1	BK6RETC	BK6RETI	BK6RETIP
MICRA	1.2 I	1200	2011->	3	HR12DE	1.1	LDA6RAC	LDA6RAI	LDA6RAIP
MICRA	1.4 K12	1400	2005->	4	CR14DE	1.1	LBK5RETC	LBK5RETI	LBK5RETIP
MICRA	1.5 TEKNA	1500	2011->	4	HR15DE	1.1	LDK6RAC	LDK6RAI	LDK6RAIP
MICRA	1.6 SR160	1600	2007->	4	HR16DE	1.1	LDK6RAC	LDK6RAI	LDK6RAIP
MURANO	3.5 I	3500	2002->2007	6	VQ35DE	1.1	LBK5RETC	LBK5RETI	LBK5RETIP
MURANO	3.5 I V6	3500	2010->	6	VQ35DE	1.1	LDA7RTC	LDA7RTI	LDA7RTIP
NAVARA	2.5 I	2500	2007->	4	QR25DE	1.1	LDA6RTC	LDA6RTI	LDA6RTIP
NAVARA	4.0 I	4000	2005->	6	VQ40DE	1.1	LBK5RETC	LBK5RETI	LBK5RETIP
NOTE	1.6 I	1600	2006->	4	HR16DE	1.1	LDK6RAC	LDK6RAI	LDK6RAIP
NP200	1.6 16V	1600	2008->	4	K7MF F11L	0.8	BK6REDC	BK6RETI	BK6RETIP
NP200	1.6 8V	1600	2008->	4	K4M	0.8	BK6RETC	BK6RETI	BK6RETIP
NP300	2.0 I	2000	2001->	4	KA20DE	1.1	BK5RETC	BK5RETI	BK5RETIP
NP300	2.4 4X4, 4X2	2400	1999->	4	KA24	1.1	BK5RETC	BK5RETI	BK5RETIP
NP300	2.4 I	2400	2001->	4	KA24DE	1.1	BK5RETC	BK5RETI	BK5RETIP
NV200	1.6 16V	1600	2010->	4	HR16DE	1.1	LDK6RAC	LDK6RAI	LDK6RAIP
NV350	2.5 I	2500	2014->	4	QR25DE	1.1	LDA6RTC	LDA6RTI	LDA6RTIP
PATHFINDER	4.0 I	4000	2005->	6	VQ40DE	1.1	LBK5RETC	LBK5RETI	LBK5RETIP
PATROL	4.0 I	4000	1974->1980	6	P40	0.8	B6RETC	B6RETI	B6RETIP
PATROL	4.2 I	4200	1994->	6	TB42E	0.8	B6RETC	B6RETI	B6RETIP
PATROL	4.5 I	4500	1998->	6	TB45E	1.1	B6RETC	B6RETI	B6RETIP
PATROL	4.8 I	4800	2004->	6	TB48DE	1.1	LBK6RETC	LBK6RETI	LBK6RETIP
PICK-UP	2.4 I	2400	2002->	4	KA24E	1.1	BK5REAC	BK5REAI	BK5REAIIP
PRIMERA	1.6 SI	1600	1998->2000	4	GA16E	1.1	BK5RETC	BK5RETI	BK5RETIP
PRIMERA	2.0 SI,GSI,STI	2000	1998->	4	SR20DE	1.1	BK6RETC	BK6RETI	BK6RETIP
PULSAR	1.3 S	1300	1983->1986	4	E13	0.8	B5RETC	B5RETI	B5RETIP
PULSAR	1.4 GX,DL	1400	1980->1984	4	A14	0.8	B5RETC	B5RETI	B5RETIP
PULSAR	1.5 GL,SX,PANACHE	1500	1982->1987	4	E15	0.8	B6RETC	B6RETI	B6RETIP
QASHQAI	1.2 T	1200	2013->	4	HR12DDT	0.7	LDK7RTC	LDK7RTI	LDK7RTIP
QASHQAI	1.6 I	1600	2007->	4	HR16DE	1.1	LDK6RAC	LDK6RAI	LDK6RAIP
QASHQAI	2.0 I	2000	2007->	4	MR20DE	1.1	LDA6RAC	LDA6RAI	LDA6RAIP
SABRE	1.6 GX,GXI	1600	1994->1997	4	GA16E	0.8	BK6RETC	BK6RETI	BK6RETIP
SABRE	2.0 GXI	2000	1994->2000	4	SR20DE	0.8	BK6RETC	BK6RETI	BK6RETIP
SAFARI	2.8 I	2800	1982->1990	6	L28	0.8	B6RETC	B6RETI	B6RETIP
SANI	2.4 L	2400	1998->1999	4	Z24	0.8	B6RETC	B6RETI	B6RETIP
SANI	3.0 V6	3000	1998->1999	6	VG30E	0.8	BK6RETC	BK6RETI	BK6RETIP
SENTRA	1.3 GL	1300	1987->1992	4	E13S	0.8	B5RETC	B5RETI	B5RETIP
SENTRA	1.3 SX	1300	1987->1992	4	L13S	0.8	B5RETC	B5RETI	B5RETIP
SENTRA	1.4 DEBUT	1400	1992->1997	4	GA14DS	0.8	BK6RETC	BK6RETI	BK6RETIP
SENTRA	1.4 GX,I,SI,GXI	1400	1992->1997	4	GA14DS	0.8	BK6RETC	BK6RETI	BK6RETIP
SENTRA	1.6 GL,GX	1600	1987->1992	4	E16S	0.8	B6RETC	B6RETI	B6RETIP

Model	Type	Capacity	Year	Cyl	Engine	Gap	TAKUMI-Classic*	TAKUMI-Super*	TAKUMI-XSuper*
SENTRA	1.6 GX	1600	1992->1997	4	GA16DS	0.8	BK5RETC	BK5RETI	BK5RETIP
SENTRA	1.6 GXEI,SGLI	1600	1987->1992	4	E16E	0.8	B6RETC	B6RETI	B6RETIP
SENTRA	1.6 SE,SI,GSI,GXI	1600	1992->1996	4	GA16E	0.8	BK6RETC	BK6RETI	BK6RETIP
SENTRA	1.6 SI,GSI,GXI	1600	1997->2000	4	GA16DNE	0.8	BK6RETC	BK6RETI	BK6RETIP
SENTRA	1.8 16V EX	1800	1989->1992	4	CA18DE	1.1	BK6RETC	BK6RETI	BK6RETIP
SENTRA	1.8 I	1800	2013->	4	MR18DE	1.1	LDA6GRAC	LDA6RAI	LDA6RAIP
SENTRA	2.0 STI,GSI	2000	1992->1997	4	SR20DE	0.8	BK6RETC	BK6RETI	BK6RETIP
SKYLINE	1.8 L	1800	1982->1987	4	L18	0.8	B6RETC	B6RETI	B6RETIP
SKYLINE	2.0 GL	2000	1982->1987	4	L20B	0.8	B6RETC	B6RETI	B6RETIP
SKYLINE	2.0 GL,GLE	2000	1987->1992	4	CA20S	0.8	BK6RETC	BK6RETI	BK6RETIP
SKYLINE	2.0 SGLI	2000	1987->	4	RB20E	1.1	BK5RETC	BK5RETI	BK5RETIP
SKYLINE	2.8 GTX,SGLI	2800	1982->1987	6	L28E	1.1	B6ETC	B6ETI	B6ETIP
SKYLINE	2.8 GT,GLX,SGL	2800	1983->1986	6	L28H	0.8	B6RETC	B6RETI	B6RETIP
SKYLINE	3.0 SGLI	3000	1987->1992	6	RB30E	1.1	BK6RETC	BK6RETI	BK6RETIP
STANZA	1.6 S	1600	1978->1983	4	L16S	0.8	B5RETC	B5RETI	B5RETIP
STANZA	1.8 SSS,GL	1800	1978->1983	4	L18,T,S	0.8	B6RETC	B6RETI	B6RETIP
STANZA DL	1.6 S	1600	1978->1983	4	L16S OHC	0.8	B5RETC	B5RETI	B5RETIP
STANZA GL	1.8 L	1800	1978->1983	4	L18T	0.8	B6RETC	B6RETI	B6RETIP
TERRANO 1	2.4 I	2400	1997->2001	6	KAZ4E	1.1	BK5REAC	BK5REAI	BK5REAIIP
TIIDA	1.6 I	1600	2008->	4	HR16DE	1.1	LDK6GRAC	LDK6RAI	LDK6RAIP
TIIDA	1.8 I	1800	2008->	4	MR18DE	1.1	LDK6GRAC	LDK6RAI	LDK6RAIP
X-TRAIL	2.0 I	2000	2001->	4	QR20DE	1.1	LBK5RETC	LBK5RETI	LBK5RETIP
X-TRAIL	2.0 I	2000	2007->	4	MR20DE	1.1	LDK6GRAC	LDK6RAI	LDK6RAIP
X-TRAIL	2.5 I	2500	2002->2006	4	QR25DE	1.1	LBK5RETC	LBK5RETI	LBK5RETIP
X-TRAIL	2.5 I	2500	2007->	4	QR25DE	1.1	LDA6RTC	LDA6RTI	LDA6RTIP
XTERRA	4.0 I	4000	2007->	6	VQ40DE	1.1	LBK5RETC	LBK5RETI	LBK5RETIP
OPEL									
ADAM	1.0 T	1000	2015->	3	B10XFL	0.7	LBT8REFTC	LBT8REFTI	LBT8REFTIP
ADAM	1.0 T	1000	2015->	3	B10XFT	0.7	LBT8REFTC	LBT8REFTI	LBT8REFTIP
ADAM	1.2 I	1200	2015->	3	A12XEL	0.8	BK6REAC	BK6REAI	BK6REAIIP
ADAM	1.4 I	1400	2015->	4	Z14XER	0.8	BK6REAC	BK6REAI	BK6REAIIP
ADAM	1.4 S	1400	2015->	4	B14NEH	0.8	BK7RETC	BK7RETI	BK7RETIP
ASCONA	1.3 L,GL,GLS	1300	1984->1985	4	I3SC	0.8	B6RETC	B6RETI	B6RETIP
ASCONA	1.6 GL,GLS	1600	1982->1987	4	OHC	0.8	B6RETC	B6RETI	B6RETIP
ASCONA	1.8 GLS	1800	1984->1987	4	OHC	0.8	B6RETC	B6RETI	B6RETIP
ASTRA F	1.4 I S	1400	1997->1999	4	C14SE	0.8	BK6REDC	BK6RETI	BK6RETIP
ASTRA F	1.4 S	1400	1993->1996	4	I4NV	0.8	BK6REDC	BK6RETI	BK6RETIP
ASTRA F	1.6 I	1600	1993->1994	4	C16NZ	0.8	B6RETC	B6RETI	B6RETIP
ASTRA F	1.6 I	1600	1994->1995	4	C16NZ	0.8	BK6REDC	BK6RETI	BK6RETIP
ASTRA F	1.6 I E	1600	1993->1998	4	C16SE	0.8	B6RETC	B6RETI	B6RETIP
ASTRA F	1.6 I E,S	1600	1995->1999	4	C16SE	0.8	BK6REDC	BK6RETI	BK6RETIP
ASTRA F	1.8 I AT	1800	1993->1996	4	C18NZ	0.8	B6RETC	B6RETI	B6RETIP
ASTRA F	1.8 IE	1800	1996->1999	4	X18XE	0.8	BK6REDC	BK6RETI	BK6RETIP
ASTRA F	2.0 I	2000	1993->1994	4	C20NE	0.8	B6RETC	B6RETI	B6RETIP
ASTRA F	2.0 I	2000	1995->	4	C20XE	0.8	BK6REDC	BK6RETI	BK6RETIP
ASTRA F	2.0 I S	2000	1995->	4	X20XEV	0.8	BK6REDC	BK6RETI	BK6RETIP
ASTRA F	2.0 I S	2000	1993->1999	4	C20NE	0.8	B6RETC	B6RETI	B6RETIP
ASTRA F	2.0 IE	2000	1993->1998	4	C20NE	0.8	BK6RETC	BK6RETI	BK6RETIP
ASTRA F	2.0 IE	2000	1993->1998	4	C20NE	0.8	BK6REDC	BK6RETI	BK6RETIP
ASTRA F	2.0 ITS	2000	1994->1996	4	C20LET	0.8	BK6REJC	BK6RETI	BK6RETIP
ASTRA F	2.0 TS	2000	1993->1996	4	C20LET	0.8	BK7REJC	BK7RETI	BK7RETIP
ASTRA G	1.6 CS	1600	2004->	4	Z16XE	0.8	BK6REDC	BK6RETI	BK6RETIP
ASTRA G	1.6 CS	1600	2004->	4	Z16XEP	1.1	BK5REAC	BK5REAI	BK5REAIIP
ASTRA G	1.6 CS,CD,CDE	1600	1999->	4	C16SEL	0.8	BK6REDC	BK6RETI	BK6RETIP
ASTRA G	1.8 CDE	1800	2004->	4	Z18XE	0.8	BK6REDC	BK6RETI	BK6RETIP
ASTRA G	1.8 CDE,CSE	1800	1999->	4	X18XE1	0.8	BK6REDC	BK6RETI	BK6RETIP
ASTRA G	2.0 CDX,CSX	2000	1999->	4	X20XEV	0.8	BK6REDC	BK6RETI	BK6RETIP
ASTRA G	2.0 TURBO	2000	2004->	4	Z20LET	0.8	BK6REDC	BK6RETI	BK6RETIP
ASTRA G	2.2 CDE	2200	2001->	4	X22XE	0.8	BK6REDC	BK6RETI	BK6RETIP
ASTRA G	2.2 CSX	2200	2002->	4	Z22SE	1.3	LBT6REFTC	LBT6REFTI	LBT6REFTIP
ASTRA H	1.4 I	1400	2000->	4	Z14XEP	1.1	BK5REAC	BK5REAI	BK5REAIIP
ASTRA H	1.6 GTC TURBO	1600	2007->	4	Z16LET	1	BK6RETC	BK6RETI	BK6RETIP
ASTRA H	1.6 I	1600	2004->	4	Z16XEP	1.1	BK5REAC	BK5REAI	BK5REAIIP
ASTRA H	1.6 SE	1600	2006->	4	Z16LET	0.8	BK6REAC	BK6REAI	BK6REAIIP
ASTRA H	1.8 CD	1800	2006->	4	Z18XER	1.1	BK6REAC	BK6REAI	BK6REAIIP
ASTRA H	1.8 GTC	1800	2007->	4	Z18XE	1.1	BK5REAC	BK5REAI	BK5REAIIP
ASTRA H	2.0 GTC TURBO	2000	2005->2006	4	Z20LER	1.1	BK6REAC	BK6REAI	BK6REAIIP
ASTRA H	2.0 OPC TURBO	2000	2005->2006	4	Z20LEH	0.8	BK6RETC	BK6RETI	BK6RETIP
ASTRA H	2.0 TURBO	2000	2005->	4	Z20LER	0.8	BK6REAC	BK6REAI	BK6REAIIP
ASTRA J	1.4 I	1400	2012->2015	4	A14XER		BK7RETC	BK7RETI	BK7RETIP
ASTRA J	1.4 TURBO	1400	2009->2015	4	A14NET	0.7	BK7RETC	BK7RETI	BK7RETIP
ASTRA J	1.4 TURBO	1400	2010->2015	4	A14NEL	0.7	BK7RETC	BK7RETI	BK7RETIP

A
B
C
D
E
F
G
H
I
J
K
L
M
N
O
P
Q
R
S
T
U
V
W
X
Y
Z
VEHICLE MODEL MATCHING TABLE

Model	Type	Capacity	Year	Cyl	Engine	Gap	TAKUMI-Classic*	TAKUMI-Super*	TAKUMI-XSuper*
ASTRA J	1.6 I	1600	2009->2015	4	A16XER	0.8	BK6REAC	BK6REAI	BK6REAIIP
ASTRA J	1.6 TURBO	1600	2009->2015	4	A16LET	0.8	BK6REAC	BK6REAI	BK6REAIIP
ASTRA J	1.8 GTC	1800	2011->	4	A18XER	0.8	BK6REAC	BK6REAI	BK6REAIIP
ASTRA J	2.0 I 16V OPC	2000	2014->	4	A20NFT	0.8	LBT5REFTC	LBT5REFTI	LBT5REFTIP
ASTRA K	1.6 T	1600	2015->	4	B16SHT	0.7	LBT8REFTC	LBT8REFTI	LBT8REFTIP
CALIBRA	2.0 I	2000	1992->	4	20XEH DOHC	0.8	BK6RETC	BK6RETI	BK6RETIP
COMBO	1.4 I	1400	2004->	4	Z14XEP	1.1	BK5REAC	BK5REAI	BK5REAIIP
COMMODORE	2.8 E	2800	1982->1983	6	OHC	0.6	B6HTC	B6HTI	B6HTIP
COMMODORE	3.0 E	3000	1986->1988	6	OHC	0.6	B6HTC	B6HTI	B6HTIP
CORSA	1.3 I CHILL,LITE	1300	1996->2002	4	13NE	0.8	B6RETC	B6RETI	B6RETIP
CORSA	1.3 I UTILITY PRONTO	1300	1997->2000	4	13NE	0.8	B6RETC	B6RETI	B6RETIP
CORSA	1.4 I UTILITY	1400	2000->2004	4	14NE	0.8	B6RETC	B6RETI	B6RETIP
CORSA	1.6 I S	1600	2002->	4	C16SE	0.8	B5RETC	B5RETI	B5RETIP
CORSA	1.6 I UTILITY	1600	1997->2004	4	16NE	0.8	BK6RETC	BK6RETI	BK6RETIP
CORSA	1.6 I,GSI	1600	1998->	4	16NE	0.8	B5RETC	B5RETI	B5RETIP
CORSA C	1.8 I	1800	2000->	4	Z18XE	0.8	BK5REDY	BK5REI	BK5REIP
CORSA C	1.8 I	1800	2002->	4	18SE	0.8	B5RETC	B5RETI	B5RETIP
CORSA C	1.8 I	1800	2000->	4	Z18XE	0.8	BK5REDY	BK5REI	BK5REIP
CORSA D	1.4 I	1400	2006->	4	Z14XEP	1.1	BK5REAC	BK5REAI	BK5REAIIP
CORSA D	1.4 I	1400	2007->	4	Z14XEP	1.1	BK5REAC	BK5REAI	BK5REAIIP
CORSA D	1.4 I	1400	2010->	4	A14XER	0.8	BK6REAC	BK6REAI	BK6REAIIP
CORSA D	1.4 UTILITY	1400	2006->	4	X14SE	1.1	BK5REAC	BK5REAI	BK5REAIIP
CORSA D	1.6 OPC	1600	2007->	4	Z16LER	0.8	BK6REAC	BK6REAI	BK6REAIIP
CORSA D	1.6 OPC TURBO	1600	2009->	4	A16LET	0.8	BK6REAC	BK6REAI	BK6REAIIP
CORSA D	1.6 T	1600	2007->	4	Z16LEL	0.8	BK6REAC	BK6REAI	BK6REAIIP
CORSA D	1.6 TURBO	1600	2007->	4	Z16LET	0.8	BK6REAC	BK6REAI	BK6REAIIP
CORSA D	1.8 I	1800	2006->	4	Z18SE	0.8	B5RETC	B5RETI	B5RETIP
CORSA D	1.8 I	1800	2011->	4	C5A	0.8	B6RETC	B6RETI	B6RETIP
CORSA D	1.8 UTILITY	1800	2013->	4	X18XE	0.8	B6RETC	B6RETI	B6RETIP
CORSA E	1.2 I	1200	2014->	4	B12XEL	0.8	BK6REAC	BK6REAI	BK6REAIIP
CORSA E	1.4 I	1400	2014->	4	B14XEL	0.8	BK6REAC	BK6REAI	BK6REAIIP
CORSA E	1.4 T	1400	2014->	4	B14NEJ	0.7	BK7RETC	BK7RETI	BK7RETIP
CORSA E	2.0 OPC	2000	2014->	4	A20NFT	0.8	LBT5REFTC	LBT5REFTI	LBT5REFTIP
FIRENZA	1.6 L	1600	1970->1972	4		0.8	BT7FSTC	BT7FSTI	BT7FSTIP
KADETT	1.2 L	1200	1984->1985	4	C13N	0.6	B6HTC	B6HTI	B6HTIP
KADETT	1.3 CUB,GL,LS	1300	1988->1991	4	C13N	0.8	B6RETC	B6RETI	B6RETIP
KADETT	1.3 GL	1300	1980->1985	4	NVH SOHC	0.8	B6RETC	B6RETI	B6RETIP
KADETT	1.3 GLS	1300	1980->1985	4	NVH SOHC	0.8	B6RETC	B6RETI	B6RETIP
KADETT	1.3 LS	1300	1987->	4	NVH SOHC	0.8	B6RETC	B6RETI	B6RETIP
KADETT	1.4 CL	1400	1987->	4	NV SOHC	0.8	B6RETC	B6RETI	B6RETIP
KADETT	1.4 CUB	1400	1987->	4	NV SOHC	0.8	B6RETC	B6RETI	B6RETIP
KADETT	1.4 I S	1400	1995->	4	C14NZ	0.8	BK6REDY	BK6RETI	BK6RETIP
KADETT	1.4 L	1400	1993->/1994	4	14NV SOHC	0.8	B6RETC	B6RETI	B6RETIP
KADETT	1.4 S	1400	1995->	4	14NV	0.8	BK6REDY	BK6RETI	BK6RETIP
KADETT	1.4 S	1400	1993->1994	4	14NV SOHC	0.8	B6RETC	B6RETI	B6RETIP
KADETT	1.6 CUB	1600	1990->1993	4	C16NZ	0.8	B6RETC	B6RETI	B6RETIP
KADETT	1.6 GLS	1600	1980->1985	4	NVH	0.8	B6RETC	B6RETI	B6RETIP
KADETT	1.6 GLS	1600	1985->1985	4	SE	0.8	B6RETC	B6RETI	B6RETIP
KADETT	1.6 GLS,GL	1600	1982->	4	NVH	0.8	B6RETC	B6RETI	B6RETIP
KADETT	1.6 GSE	1600	1996->	4	C16LZ	0.8	B6RETC	B6RETI	B6RETIP
KADETT	1.6 GSE	1600	1987->	4	E16NZ	0.8	B6RETC	B6RETI	B6RETIP
KADETT	1.6 GSI	1600	1990->1991	4	SE	0.8	B6RETC	B6RETI	B6RETIP
KADETT	1.6 I	1600	1993->1994	4	16NZ SOHC	0.8	B6RETC	B6RETI	B6RETIP
KADETT	1.6 I	1600	1994->1998	4	C16NZ	0.8	BK6REDY	BK6RETI	BK6RETIP
KADETT	1.6 I S	1600	1995->1998	4	16SE	0.8	BK6REDY	BK6RETI	BK6RETIP
KADETT	1.8 GLX	1800	1985->1987	4	1.8SE SOHC	0.8	B6RETC	B6RETI	B6RETIP
KADETT	1.8 GSI	1800	1989->1990	4	C18NZ	0.8	B7RETC	B7RETI	B7RETIP
KADETT	1.8 GSI	1800	1989->1990	4	SE	0.8	B6RETC	B6RETI	B6RETIP
KADETT	1.8 GTE	1800	1984->1985	4	18LVH SOHC	0.8	B6RETC	B6RETI	B6RETIP
KADETT	1.8 I S	1800	1988->	4	C118NE	0.8	BK6REDY	BK6RETI	BK6RETIP
KADETT	2.0 GSI	2000	1989->	4	XE	0.8	BK7RETC	BK7RETI	BK7RETIP
KADETT	2.0 GSI	2000	1990->	4	SEH	0.8	B6RETC	B6RETI	B6RETIP
KADETT	2.0 GSI, 8V	2000	1989->1989	4	SV	0.8	B6RETC	B6RETI	B6RETIP
KADETT	2.0 I GSI,CD 16V	2000	1991->1992	4	XE	0.8	BK7RETC	BK7RETI	BK7RETIP
KADETT	2.0 I S	2000	1993->1998	4	20SEH	0.8	BK6REDY	BK6RETI	BK6RETIP
KADETT	2.0 I S	2000	1993->1998	4	20SEH SOHC	0.8	B6RETC	B6RETI	B6RETIP
KADETT	2.0 SUPER BOSS 16V	2000	1989->1990	4	XEH	0.8	BK7RETC	BK7RETI	BK7RETIP
KADETT	2.0 TS	2000	1993->1996	4	20LET DOHC	0.8	BK6REJC	BK6RETI	BK6RETIP
MERIVA	1.4 I	1400	2006->	4	Z14XEP	1.1	BK5REAC	BK5REAI	BK5REAIIP
MERIVA	1.6 I	1600	2003->	4	Z16XE	0.8	BK6REDY	BK6RETI	BK6RETIP
MERIVA	1.6 I	1600	2006->	4	Z16XEP	1.1	BK5REAC	BK5REAI	BK5REAIIP

Model	Type	Capacity	Year	Cyl	Engine	Gap	TAKUMI-Classic*	TAKUMI-Super*	TAKUMI-XSuper*
MERIVA	1.6 I	1600	2006->	4	Z16XEP	0.8	BK6REAC	BK6REAI	BK6REAIIP
MERIVA	1.6 OPC TURBO	1600	2006->2008	4	Z16LET	1	BK6RETC	BK6RETI	BK6RETIP
MERIVA	1.6 OPC TURBO	1600	2009->	4	A16LET	1	BK6RETC	BK6RETI	BK6RETIP
MERIVA	1.8 I	1800	2003->	4	Z18XE	0.8	BK5REDY	BK5REI	BK5REIP
MERIVA B	1.4 T	1400	2011->	4	A14NET	0.7	BK7RETC	BK7RETI	BK7RETIP
MOKKA	1.4 T	1400	2012->	4	A14NET	0.7	BK7RETC	BK7RETI	BK7RETIP
MONZA	1.6 CLS	1600	1986->1993	4	SV	0.8	B6RETC	B6RETI	B6RETIP
MONZA	1.6 GSI	1600	1990->1993	4	SE	0.8	B6RETC	B6RETI	B6RETIP
MONZA	1.8 GLE, GLX	1800	1986->1990	4	SE	0.8	B6RETC	B6RETI	B6RETIP
MONZA	1.8 GLI	1800	1986->1989	4	SV	0.8	B6RETC	B6RETI	B6RETIP
MONZA	2.0 CD	2000	1990->1992	4	XEH	0.8	BK7RETC	BK7RETI	BK7RETIP
MONZA	2.0 CLX	2000	1993->	4	SE	0.8	B6RETC	B6RETI	B6RETIP
MONZA	2.0 GLE CARB	2000	1992->1993	4	SV	0.8	B6RETC	B6RETI	B6RETIP
MONZA	2.0 GLI	2000	1989->1993	4	SEH	0.8	B6RETC	B6RETI	B6RETIP
MONZA	2.0 I CLI	2000	1989->1993	4	SE	0.8	B6RETC	B6RETI	B6RETIP
OMEGA	2.2 I	2200	2001->	4	Z22XE	0.8	BK6REDY	BK6RETI	BK6RETIP
OMEGA	2.6 I	2600	2001->	6	Y26SE	0.8	BK6REQC	BK6RETI	BK6RETIP
OMEGA	3.2 V6	3200	2001->	6	Y32SE	0.8	BK6REQC	BK6RETI	BK6RETIP
REKORD	2.0 BERLINA	2000	1983->1987	4	20NE CIH	0.7	B6RHCT	B6RHTI	B6RHTIP
REKORD	2.0 GLE, CLS, CLE	2000	1988->1990	4	SEH	0.8	B6RETC	B6RETI	B6RETIP
REKORD	2.0 GL, GLE	2000	1988->1991	4	20SE CIH	0.8	B6RETC	B6RETI	B6RETIP
REKORD	2.0 I CLS, CLE	2000	1990->1995	4	SV	0.8	B6RETC	B6RETI	B6RETIP
REKORD	2.0 L, GL	2000	1982->1988	4	20S	0.6	B6HTC	B6HTI	B6HTIP
REKORD	2.2 E, GLS, BERLINA	2200	1986->1991	4	22NE CIH	0.7	B6RHCT	B6RHTI	B6RHTIP
REKORD	3.8 I CD, GSI	3800	1991->1995	6	GE	1.3	BT5REFTC	BT5REFTI	BT5REFTIP
SENATOR	3.0 E	3000	1982->1987	6	30 NE CIH	0.6	B6HTC	B6HTI	B6HTIP
TIGRA B	1.4 I	1400	2005->	4	Z14XEP	1.1	BK5REAC	BK5REAI	BK5REAIIP
TIGRA B	1.8 I	1800	2005->	4	Z18XE	1.1	BK5REAC	BK5REAI	BK5REAIIP
VECTRA C	1.6 I	1600	2002->	4	Z16XE	0.8	BK5RETQC	BK5RETI	BK5RETIP
VECTRA C	1.8 I	1800	2002->	4	Z18XE	0.8	BK5RETQC	BK5RETI	BK5RETIP
VECTRA C	3.2 V6	3200	2002->	6	Z32SE	0.8	BK5RETQC	BK5RETI	BK5RETIP
VIVARO	2.0 I	2000	2002->	4	F4R	1.1	BK6RETC	BK6RETI	BK6RETIP
ZAFIRA	1.6 I	1600	2006->	4	Z16SE	0.8	BK5REDY	BK5REI	BK5REIP
ZAFIRA	1.8 CD	1800	2001->2006	4	Z18XE	0.8	BK5REDY	BK5REI	BK5REIP
ZAFIRA	2.0 TURBO	2000	2002->	4	Z20LET	0.8	BK5REDY	BK5REI	BK5REIP
ZAFIRA	2.2 I	2200	2004->2006	4	Z22SE	1.3	BT5REFTC	BT5REFTI	BT5REFTIP
ZAFIRA B	1.6 I	1600	2005->	4	Z16XEP	1.1	BK5REAC	BK5REAI	BK5REAIIP
ZAFIRA B	1.6 I	1600	2008->	4	Z16XER	1.1	BK5REAC	BK5REAI	BK5REAIIP
ZAFIRA B	1.8 I	1800	2005->	4	Z18XER	1.1	BK5REAC	BK5REAI	BK5REAIIP
ZAFIRA B	2.0 OPC	2000	2005->	4	Z20LEH	0.8	BK6RETC	BK6RETI	BK6RETIP
ZAFIRA B	2.0 TURBO	2000	2005->	4	Z20LER	1.1	BK5REAC	BK5REAI	BK5REAIIP
ZAFIRA B	2.2 I	2200	2005->	4	Z22YH	0.8	BK5RETQC	BK5RETI	BK5RETIP
PEUGEOT									
1007	1.4 16V	1400	2005->	4	ET3J4	0.8	LDA7RAC	LDA7RAI	LDA7RAIP
1007	1.4 16V	1400	2005->	4	TU3JP	1.1	BK6RETC	BK6RETI	BK6RETIP
1007	1.6 16V	1600	2005->	4	TU5JP4	0.9	LBK6RETC	LBK6RETI	LBK6RETIP
107	1.0 I	1000	2006->	3	1KR-FE	1.1	LBK6RETC	LBK6RETI	LBK6RETIP
2008	1.6 120 VTI	1600	2013->	4	EP6C	0.8	LDA7RAC(BI-HEX)	LDA7RAI(BI-HEX)	LDA7RAIP(BI-HEX)
206	1.4 SW	1400	2005->	4	ET3J4-KFU	0.8	LDA7RAC	LDA7RAI	LDA7RAIP
206	1.4 XR, SW, POPART	1400	2001->2004	4	TU3JP-KFX	0.8	BK6RETC	BK6RETI	BK6RETIP
206	1.6 I XT, SW	1600	2001->	4	TU5JP4-NFU	0.9	LBK6RETC	LBK6RETI	LBK6RETIP
206	2.0 GTI, SW	2000	2001->	4	EW10J4-RFR, RFN	0.9	LBK6RETC	LBK6RETI	LBK6RETIP
206	2.0 I	2000	1999->	4	EW10J4	0.8	LBK5RETC	LBK5RETI	LBK5RETIP
206	2.0 S16	2000	2002->	4	EW10J4S-RFK	0.8	LBK6RETC	LBK6RETI	LBK6RETIP
207	1.4 16V	1400	2006->	4	KFV	0.8	LDA7RAC	LDA7RAI	LDA7RAIP
207	1.4 I	1400	2006->	4	TU3A	0.8	BK6RETC	BK6RETI	BK6RETIP
207	1.4 VTI 95	1400	2007->	4	EP3 / EP3C	0.8	LDA7RAC(BI-HEX)	LDA7RAI(BI-HEX)	LDA7RAIP(BI-HEX)
207	1.6 16V	1600	2006->	4	TU5JP4	0.9	LBK6RETC	LBK6RETI	LBK6RETIP
207	1.6 RC	1600	2007->	4	EP6DTS	0.8	LDA7RAC(BI-HEX)	LDA7RAI(BI-HEX)	LDA7RAIP(BI-HEX)
208	1.0 VTI 68	1000	2012->	3	EBO	1	LDK6RAC	LDK6RAI	LDK6RAIP
208	1.2 VTI 82	1200	2012->	3	EB2	1	LDK6RAC	LDK6RAI	LDK6RAIP
208	1.4 95 VTI	1400	2012->	4	EP3C	0.8	LDA7RAC(BI-HEX)	LDA7RAI(BI-HEX)	LDA7RAIP(BI-HEX)
208	1.6 120 VTI	1600	2012->	4	EP6C	0.8	LDA7RAC(BI-HEX)	LDA7RAI(BI-HEX)	LDA7RAIP(BI-HEX)
208	1.6 120 VTI	1600	2012->	4	EP6C	0.8	LDA7RAC(BI-HEX)	LDA7RAI(BI-HEX)	LDA7RAIP(BI-HEX)
208	1.6 155 THP	1600	2012->	4	EP6CDT	0.8	LDA7RAC(BI-HEX)	LDA7RAI(BI-HEX)	LDA7RAIP(BI-HEX)

A
B
C
D
E
F
G
H
I
J
K
L
M
N
O
P
Q
R
S
T
U
V
W
X
Y
Z
VEHICLE MODEL MATCHING TABLE

Model	Type	Capacity	Year	Cyl	Engine	Gap	TAKUMI-Classic*	TAKUMI-Super*	TAKUMI-XSuper*
208	1.6 GTI	1600	2012->	4	EP6CDTXM	0.8	LDA7RAC(BI-HEX)	LDA7RAI(BI-HEX)	LDA7RAIP(BI-HEX)
3008	1.6 155 THP	1600	2009->	4	EP6CDT	0.8	LDA7RAC(BI-HEX)	LDA7RAI(BI-HEX)	LDA7RAIP(BI-HEX)
3008	1.6 VTI	1600	2009->	4	EP6	0.8	LDA7RAC(BI-HEX)	LDA7RAI(BI-HEX)	LDA7RAIP(BI-HEX)
305	1.5 GR FWD	1500	1979->1989	4	XR5	0.8	BT6EFTC	BT6EFTI	BT6EFTIP
305	1.5 SR FWD	1500	1979->1989	4	XR5S	0.8	BT6EFTC	BT6EFTI	BT6EFTIP
306	1.6 XR,XT	1600	1998->2001	4	TU5_JP	0.8	BK6REDY	BK6RETI	BK6RETIP
306	1.8 CABRIOLET	1800	1998->2002	4	XU7_JP4	0.8	BK6REJC	BK6RETI	BK6RETIP
306	2.0 GTI	2000	1999->2001	4	XU10_J4RS	0.8	BK5RETC	BK5RETI	BK5RETIP
306	2.0 XSI	2000	1995->2000	4	XU10_J2	0.8	BK6REJC	BK6RETI	BK6RETIP
307	1.4 I	1400	2004->	4	ET3J4_KFU	0.8	LDA7RAC	LDA7RAI	LDA7RAIP
307	1.6 XT,XS,CC,SW	1600	2001->	4	TU5JP4-NFU	0.9	LBK6RETC	LBK6RETI	LBK6RETIP
307	2.0 CC,SW	2000	2003->	4	EW10J4-RFN	0.9	LBK5RETC	LBK5RETI	LBK5RETIP
307	2.0 COUPE	2000	2003->	4	EW10J4	0.9	LBK5RETC	LBK5RETI	LBK5RETIP
307	2.0 I	2000	2006->	4	EW10A	0.9	LBK5RETC	LBK5RETI	LBK5RETIP
308	1.2	1200	2015->	3	EB2	1	LDK6RAC	LDK6RAI	LDK6RAIP
308	1.6 125THP	1600	2013->	4	EP6CDT	0.8	LDA7RAC(BI-HEX)	LDA7RAI(BI-HEX)	LDA7RAIP(BI-HEX)
308	1.6 16V	1600	2007->	4	EP6DT	0.8	LDA7RAC(BI-HEX)	LDA7RAI(BI-HEX)	LDA7RAIP(BI-HEX)
308	1.6 T	1600	2013->	4	EP6CDT	0.8	LDA7RAC(BI-HEX)	LDA7RAI(BI-HEX)	LDA7RAIP(BI-HEX)
4008	2.0 I	2000	2012->	4	4B11	0.8	BK6RETC	BK6RETI	BK6RETIP
404	1.7 LCV	1700		4		0.6	B3LC	B3LI	B3LIP
404	1.8 GL	1800	1965->	4		0.8	B6RETC	B6RETI	B6RETIP
405	1.6 GR	1600	1968->1980	4	XU5	0.8	BK6RETC	BK6RETI	BK6RETIP
405	1.8 GR	1800	1995->1997	4	XU7JP	0.8	BK5REDC	BK5REI	BK5REIP
405	1.9 GR	1900	1987->1995	4	XU92C	0.8	BK6RETC	BK6RETI	BK6RETIP
405	2.0 SRI	2000	1995->1997	4	XU10J2	0.8	BK5REDC	BK5REI	BK5REIP
406	1.8 E,16V	1800	2001->	4	EW7J4-6FZ	0.9	LBK5RETC	LBK5RETI	LBK5RETIP
406	2.0 COUPE	2000	2001->	4	EW10J4-RFR	0.9	LBK5RETC	LBK5RETI	LBK5RETIP
406	2.0 ST	2000	1996->1997	4	XU10J4R	0.8	BK5REDC	BK5REI	BK5REIP
406	2.2 COUPE	2200	2001->	4	EW12J4-3FZ	0.9	LBK5RETC	LBK5RETI	LBK5RETIP
406	3.0 SV	3000	2000->	6	ES9J4	0.8	BK6REDC	BK6RETI	BK6RETIP
406	3.0 V6	3000	2000->2005	6	ES9J4S-XFX	1.1	LBK5RETC	LBK5RETI	LBK5RETIP
407	2.0 SW,ST	2000	2004->	4	EW10J4-RFR	0.9	LBK5RETC	LBK5RETI	LBK5RETIP
407	2.2 ST	2200	2004->	4	EW12J4-3FZ	0.9	LBK5RETC	LBK5RETI	LBK5RETIP
407	3.0 ST	3000	2004->	6	ES9J4S-XFX	1.1	LBK5RETC	LBK5RETI	LBK5RETIP
5008	1.6 THP	1600	2009->	4	EP6CDT	0.8	LDA7RAC(BI-HEX)	LDA7RAI(BI-HEX)	LDA7RAIP(BI-HEX)
504	1.8 GR,L	1800	1976->1980	4	XM7	0.8	B6RETC	B6RETI	B6RETIP
505	2.0 SR	2000	1980->1985	4	XN,XM	0.8	B6RETC	B6RETI	B6RETIP
505	2.0 STI	2000	1980->1985	4	ZEJ	0.8	BT6EFTC	BT6EFTI	BT6EFTIP
505	2.2 GTI	2000	1984->1985	4	ZAJ	0.8	BT6EFTC	BT6EFTI	BT6EFTIP
505	2.2 TURBO	2200	1984->1988	4	N9T	0.8	B7REC	B7REI	B7REIP
508	1.6 THP	1600	2011->	4	EP6CDT	0.8	LDA7RAC(BI-HEX)	LDA7RAI(BI-HEX)	LDA7RAIP(BI-HEX)
508	1.6 VTI	1600	2011->	4	EP6C	0.8	LDA7RAC(BI-HEX)	LDA7RAI(BI-HEX)	LDA7RAIP(BI-HEX)
605	2.0 SRI	2000	1996->1997	4	XU10_J2Z	0.8	BK6REJC	BK6RETI	BK6RETIP
605	3.0 SRI V6	3000	1995->1997	6	ZPJ	0.8	BK6REJC	BK6RETI	BK6RETIP
607	2.0 E	2000	2001->	4	EW10J4-RFN	0.9	LBK5RETC	LBK5RETI	LBK5RETIP
607	2.2 E	2200	2001->	4	EW12J4-3FZ	0.9	LBK5RETC	LBK5RETI	LBK5RETIP
607	3.0 V6	3000	2002->	6	ES9J4S	1.1	LBK5RETC	LBK5RETI	LBK5RETIP
806	2.0 16V	2000	2001->	4	EW10J4-RFR	0.9	LBK5RETC	LBK5RETI	LBK5RETIP
806	2.0 ST	2000	1998->2000	4	XU10J2	0.8	BK6REDY	BK6RETI	BK6RETIP
807	2.2 ST,SV	2200	2003->	4	EW12J4-3FZ	0.9	LBK5RETC	LBK5RETI	LBK5RETIP
807	3.0 V6	3000	2002->	6	ES9J4S-XFX	1.1	LBK5RETC	LBK5RETI	LBK5RETIP
PARTNER	1.6 I	1600	2001->	4	TU5JP4-NFU	0.9	LBK5RETC	LBK5RETI	LBK5RETIP
RCZ	1.6 THP	1600	2010->	4	EP6CDT	0.8	LDA7RAC(BI-HEX)	LDA7RAI(BI-HEX)	LDA7RAIP(BI-HEX)
RCZ	1.6 THP	1600	2010->	4	EP6CDTX	0.8	LDA7RAC(BI-HEX)	LDA7RAI(BI-HEX)	LDA7RAIP(BI-HEX)
PORSCHE									
911	3.0 SC	3000	1981->1983	6	M9301	0.8	B8REC	B8REI	B8REIP
911	CARRERA 997	3600	2004->	6	M9605	0.8	BK7RETQC	BK7RETI	BK7RETIP
911	CARRERA 997	3600	2004->	6	M9605	0.8	BK7RETQC	BK7RETI	BK7RETIP
911	CARRERA S 997	3800	2004->	6	M9701	0.8	BK7RETQC	BK7RETI	BK7RETIP
911	CARRERA	3200	1985->1989	6	M93020/26	0.8	B6REC	B6REI	B6REIP
911	CARRERA 2 964	3600	1990->1993	6	M6402	0.8	BK7REJC	BK7RETI	BK7RETIP
911	CARRERA 4 964	3600	1990->1994	6	M6401	0.8	BK7REJC	BK7RETI	BK7RETIP
911	CARRERA 996	3400	1999->2000	6	M9601	0.8	BK6REQC	BK6RETI	BK6RETIP
911	CARRERA S 997	3800	2004->	6	M9701	0.8	BK6REQC	BK6RETI	BK6RETIP
911	GT3 996	3600	2001->2004	6	M9676	0.8	BK7RETC	BK7RETI	BK7RETIP
911	TURBO 964	3300	1985->1989	6	M3069	0.8	B8EC	B8EI	B8EIP
911	TURBO 996	3600	2001->2006	6	M9670	0.8	BK7REJC	BK7RETI	BK7RETIP
911	TURBO 996	3600	2001->2006	6	M9670	0.8	BK7REJC	BK7RETI	BK7RETIP
924	2.0 S	2000	1975->1985	4		0.8	B7RETC	B7RETI	B7RETIP
924	2.0 TURBO	2000	1980->1983	4	M3103	0.8	B8REC	B8REI	B8REIP
924	924 S	2500	1985->1988	4	M4407/08/09/10	0.8	B6RETC	B6RETI	B6RETIP
928	928 GTS	5400	1991->1995	8	M2849	0.8	B6ETQC	B6ETI	B6ETIP

Model	Type	Capacity	Year	Cyl	Engine	Gap	TAKUMI-Classic*	TAKUMI-Super*	TAKUMI-XSuper*
928	928 S	4500	1985->1992	8	M2821	0.8	B6RETC	B6RETI	B6RETIP
944	2.5 TURBO	2500	1985->1991	4	M4450	0.8	B6RETC	B6RETI	B6RETIP
964	911 S TURBO	3300	1992->1992	6	M30.69SL	0.8	B6RETC	B6RETI	B6RETIP
964	911 TURBO	3300	1991->1992	6	M30.69	0.8	B6RETC	B6RETI	B6RETIP
968	3.0 CS	3000	1991->1995	6	M4443	0.8	B6ETQC	B6ETI	B6ETIP
BOXSTER	2.7 987	2700	2004->	6	M9625	0.8	BK7RETQC	BK7RETI	BK7RETIP
BOXSTER	2.7 987	2700	2005->	6	M9625	0.8	BK7RETQC	BK7RETI	BK7RETIP
BOXSTER	2.7 TIPTRONIC	2700	2002->	6	M9620	0.8	BK6REDY	BK6RETI	BK6RETIP
BOXSTER	2.9 987	2900	2008->	6	M9625/20	0.8	BK7RETQC	BK7RETI	BK7RETIP
BOXSTER	3.2 986 S	3200	2002->	6	M9624	0.8	BK6REQC	BK6RETI	BK6RETIP
BOXSTER	3.4 987	3400	2006->	6	M9721	0.8	BK7RETQC	BK7RETI	BK7RETIP
BOXSTER	3.4 987	3400	2008->	6	M9726/21	0.8	BK7RETQC	BK7RETI	BK7RETIP
CAYENNE	3.0 S HYBRID	3000	2012->	6		0.8	BK7RETC	BK7RETI	BK7RETIP
CAYENNE	3.2 955	3200	2004->	6	MO2.2Y BFD	0.8	BK6REAC	BK6REAI	BK6REAIIP
CAYENNE	3.6 I	3600	2010->	6	M55.02	0.8	LDK8RTC	LDK8RTI	LDK8RTIP
CAYENNE	3.6 I	3600	2010->	6	M55.02	0.8	LDK8RTC	LDK8RTI	LDK8RTIP
CAYENNE	3.6 V6	3600	2010->	6	M55.01	0.8	LDK7RTC	LDK7RTI	LDK7RTIP
CAYENNE	4.5 S	4500	2005->	8	M48.00	0.8	BK6REQC	BK6RETI	BK6RETIP
CAYENNE	4.5 TURBO	4500	2005->	8	M48.50	0.8	BK7RETC	BK7RETI	BK7RETIP
CAYENNE	4.8 TURBO	4800	2011->	8		0.8	LBK6RETC	LBK6RETI	LBK6RETIP
CAYMAN	2.7 S	2700	2006->	6	M9720	0.8	BK7RETQC	BK7RETI	BK7RETIP
CAYMAN	3.4 S	3400	2005->	6	M9721	0.8	BK7RETQC	BK7RETI	BK7RETIP
RENAULT									
CAPTUR	0.9 T	900	2015->	3	H4BT	0.7	LDK7RTC	LDK7RTI	LDK7RTIP
CAPTUR	1.2 TCE 120	1200	2013->	4	H5F 403	0.7	LDK7RTC	LDK7RTI	LDK7RTIP
CLIO	1.2 16V	1200	2004->	4	D4F728,D4F722	0.8	LDA7RAC	LDA7RAI	LDA7RAIP
CLIO	1.2 I	1200	2001->	4	D7F 720,722	0.8	BK5REDY	BK5REI	BK5REIP
CLIO	1.4 RT 8V	1400	1999->2001	4	E6J, E7J	0.8	BK6RETC	BK6RETI	BK6RETIP
CLIO	1.6 16V	1600	1999->	4	K4M	0.8	BK6REDY	BK6RETI	BK6RETIP
CLIO	2.0 16V	2000	1998->	4	F7R 700	0.8	BK6REDY	BK6RETI	BK6RETIP
CLIO 2	1.2 16V	1200	2003->	4	D4F-712	0.8	LDA7RAC	LDA7RAI	LDA7RAIP
CLIO 2	1.4 RT 16V	1400	2001->	4	K4J-712	0.8	BK6REDY	BK6RETI	BK6RETIP
CLIO 2	2.0 16V RS SPORT	2000	2000->	4	F4R 730	1	BK6RETC	BK6RETI	BK6RETIP
CLIO 2	3.0 V6	3000	2001->	6	L7X	1	BK6RETC	BK6RETI	BK6RETIP
CLIO 3	1.2 16V	1200	2007->	4	D4F 722,740,772	0.8	LDA7RAC	LDA7RAI	LDA7RAIP
CLIO 3	1.2 TCE	1200	2007->	4	D4F 780	0.7	LDK7RTC	LDK7RTI	LDK7RTIP
CLIO 3	1.4 16V	1400	2006->	4	K4J 780	0.8	BK6RETC	BK6RETI	BK6RETIP
CLIO 3	1.6 16V VVT	1600	2006->	4	K4M 800,801,804	0.8	BK6RETC	BK6RETI	BK6RETIP
CLIO 3	2.0 16V RS	2000	2008->	4	F4R830	0.8	BK7REJC	BK7RETI	BK7RETIP
CLIO 3	2.0 WILLIAMS 16S	2000	1993->1996	4	F7R700	0.8	BK6REDY	BK6RETI	BK6RETIP
CLIO 4	0.9 T	900	2013->	3	HB4T	0.7	LDK7RTC	LDK7RTI	LDK7RTIP
CLIO 4	1.2 I	1200	2012->	4	D4F 740	0.7	LDK7RTC	LDK7RTI	LDK7RTIP
CLIO 4	1.6 RS CUP	1600	2013->	4	M5M 400	0.9	LDA7RTC	LDA7RTI	LDA7RTIP
DUSTER	1.6 16V	1600	2011->	4	K4M	0.8	BK6RETC	BK6RETI	BK6RETIP
ESPACE	2.0 MPV	2000	1996->1997	4	J7R	0.8	BT6EFTC	BT6EFTI	BT6EFTIP
ESPACE	2.8 MPV	2800	1996->2003	6	Z7W-712	0.8	BT7EFTC	BT7EFTI	BT7EFTIP
ESPACE	3.0 I	3000	1998->	6	L7X	1	BK6RETC	BK6RETI	BK6RETIP
ESPACE 4	2.0 16V	2000	2003->	4	F4R	1.1	BK6RETC	BK6RETI	BK6RETIP
ESPACE 4	3.5 V6	3500	2003->	6	V4Y-711	1.1	LBK5RETC	LBK5RETI	LBK5RETIP
FLUENCE	1.6 16V	1600	2008->	4	H4M (HR16DE)	1.1	LDK6RAC	LDK6RAI	LDK6RAIP
FLUENCE	1.6 16V	1600	2010->	4	K4M 838/ 839	0.8	BK6RETC	BK6RETI	BK6RETIP
FLUENCE	1.6 I	1600	2013->	4	K4M 838/839	0.8	BK6RETC	BK6RETI	BK6RETIP
FLUENCE	2.0 16V	2000	2010->	4	M4R 714 /751	1.1	LDK6RAC	LDK6RAI	LDK6RAIP
FLUENCE	2.0 I	1600	2013->	4	M4R 714/751	1.1	LDK6RAC	LDK6RAI	LDK6RAIP
FUEGO	1.6 TURBO	1600	1983->1986	4	A5L	0.8	B8EC	B8EI	B8EIP
GRAND ESPACE	3.0 RXT	3000	2001->	6	Z7X	0.8	BK6REJC	BK6RETI	BK6RETIP
GRAND SCENIC	1.6 16V	1600	2004->	4	K4M	0.8	BK6RETC	BK6RETI	BK6RETIP
GRAND SCENIC	2.0 16V	2000	2004->	4	F4R	0.8	BK6RETC	BK6RETI	BK6RETIP
GRAND SCENIC	2.0 16V	2000	2004->	4	F4RT	1.1	BK6RETC	BK6RETI	BK6RETIP
KADJAR	1.2 T	1200	2015->	4	H5F408	0.7	LDK7RTC	LDK7RTI	LDK7RTIP
KANGOO	1.4 I	1400	2000->	4	K7J	0.8	BK5RETC	BK5RETI	BK5RETIP
KANGOO 2	1.6 I	1600	2003->	4	K4M	0.8	BK6RETC	BK6RETI	BK6RETIP
KANGOO EXPRESS	1.4 EXPRESS	1400	2001->	4	EJ7	0.8	BK5ETC	BK5ETI	BK5ETIP
KOLEOS	2.5 I	2500	2008->	4	2TR700,702,703	1.1	LDA6RTC	LDA6RTI	LDA6RTIP
KWID	1.0 I	1000	2016->	3		0.8	LDA7RAC	LDA7RAI	LDA7RAIP
LAGUNA	1.8 RN, RT, ESTATE	1800	1996->1998	4	F3P	0.8	B6RETC	B6RETI	B6RETIP
LAGUNA	2.0 RT, RXE, ESTATE	2000	1996->1998	4	F3R	0.8	B6RETC	B6RETI	B6RETIP
LAGUNA	2.0 RXT	2000	1997->2001	4	N7Q	0.8	BK6REDY	BK6RETI	BK6RETIP
LAGUNA	3.0 RXT 24V	3000	1998->2001	6	L7X 700,701	1	BK6RETC	BK6RETI	BK6RETIP

A
B
C
D
E
F
G
H
I
J
K
L
M
N
O
P
Q
R
S
T
U
V
W
X
Y
Z
VEHICLE MODEL MATCHING TABLE

A
B
C
D
E
F
G
H
I
J
K
L
M
N
O
P
Q
R
S
T
U
V
W
X
Y
Z

VEHICLE MODEL MATCHING TABLE

Model	Type	Capacity	Year	Cyl	Engine	Gap	TAKUMI-Classic*	TAKUMI-Super*	TAKUMI-XSuper*
LAGUNA	3.0 V6	3000	1996->1998	6	Z7X	0.8	BK6REDY	BK6RETI	BK6RETIP
LAGUNA 2	1.8 I	1800	2002->2005	4	F4P-760	0.8	BK6RETC	BK6RETI	BK6RETIP
LAGUNA 2	2.0 I	2000	2002->2005	4	F3R	0.8	BK6REDY	BK6RETI	BK6RETIP
LAGUNA 2	2.0 TURBO	2000	2003->	4	F4RT	1.1	BK6RETC	BK6RETI	BK6RETIP
LAGUNA 2	3.0 V6	3000	2001->2005	6	L7X-731	1.1	LBK5RETC	LBK5RETI	LBK5RETIP
LAGUNA 3	1.6 16V	1600	2007->	4	K4M	0.8	BK6RETC	BK6RETI	BK6RETIP
LAGUNA 3	2.0 16V	2000	2007->	4	F4R	0.8	BK6RETC	BK6RETI	BK6RETIP
LAGUNA 3	2.0 TURBO	2000	2007->	4	F4R762	1.1	BK6RETC	BK6RETI	BK6RETIP
LAGUNA 3	2.0 TURBO	2000	2007->	4	F4R830	0.8	BK7REJC	BK7RETI	BK7RETIP
LOGAN	1.6 I	1600	2005->	4	K7M	0.8	BK6REDY	BK6RETI	BK6RETIP
MEGANE	1.4 RTE	1400	1999->2003	4	E7J,K4J	0.8	BK6RETC	BK6RETI	BK6RETIP
MEGANE	1.4 TCE	1400	2008->	4	H4JT,700	0.7	LDK7RTC	LDK7RTI	LDK7RTIP
MEGANE	1.4 TCE 130	1400	2009->	4	H4J 700	0.7	LDK7RTC	LDK7RTI	LDK7RTIP
MEGANE	1.6 16V	1600	2008->	4	K4M 858	0.8	BK6RETC	BK6RETI	BK6RETIP
MEGANE	1.6 L	1600	2003->	4	K4M760	0.8	BK6RETC	BK6RETI	BK6RETIP
MEGANE	1.6 RN, RT, COUPE	1600	1997->1999	4	K7M	0.8	BK6RETC	BK6RETI	BK6RETIP
MEGANE	1.8 I	1800	2001->	4	F4P	1.1	BK6RETC	BK6RETI	BK6RETIP
MEGANE	2.0 16V	2000	2003->	4	F4R	0.8	BK6RETC	BK6RETI	BK6RETIP
MEGANE	2.0 16V	2000	2005->	4	F4R 760	1.1	BK6RETC	BK6RETI	BK6RETIP
MEGANE	2.0 COUPE	2000	1997->1998	4	F7R	0.8	BK6REDY	BK6RETI	BK6RETIP
MEGANE	2.0 GT	2000	2013->	4	F4R 874	1.1	BK6RETC	BK6RETI	BK6RETIP
MEGANE	2.0 RS	2000	2006->	4	F4R 830	0.8	BK7REJC	BK7RETI	BK7RETIP
MEGANE	2.0 RS TURBO	2000	2005->	4	F4RT.774	1.1	BK7RETC	BK7RETI	BK7RETIP
MEGANE	2.0 RS TURBO	2000	2007->	4	F4RT.774	0.8	BK7REJC	BK7RETI	BK7RETIP
MEGANE	2.0 RXE	2000	1997->1999	4	F3R	0.8	BK6RETC	BK6RETI	BK6RETIP
MEGANE	RS SPORT 265	2000	2013->	4	F4R 874	1.1	BK6RETC	BK6RETI	BK6RETIP
MEGANE COUPE	2.0 I	2000	1999->	4	H5F	0.9	LBK5RETC	LBK5RETI	LBK5RETIP
MODUS	1.2 16V	1200	2005->	4	D4F	0.8	LDA7RAC	LDA7RAI	LDA7RAIP
MODUS	1.4 16V	1400	2005->	4	K4J	0.8	BK6RETC	BK6RETI	BK6RETIP
MODUS	1.6 16V	1600	2005->	4	K4M	0.8	BK6RETC	BK6RETI	BK6RETIP
R11	1.4 TS	1400	1985->1986	4	C1J 715/ C2 J73	0.8	B6RETC	B6RETI	B6RETIP
R11	1.7 TX,TXE	1700	1985->1986	4	F2N / F3N-708	0.8	B6RETC	B6RETI	B6RETIP
R5	1.3 VAN	1300	1980->1985	4		0.6	B6HTC	B6HTI	B6HTIP
R5	1.3 GTL	1300	1977->1985	4		0.8	B5RETC	B5RETI	B5RETIP
R5	1.3 TS,LS	1300	1975->1982	4		0.6	B6HTC	B6HTI	B6HTIP
R9	1.4 TSE,TL,GTI	1400	1983->1986	4		0.8	B6RETC	B6RETI	B6RETIP
R9	1.7 TXE	1700	1984->1986	4	F2N/ F3N-708	0.8	B7RETC	B7RETI	B7RETIP
SAFRANE	2.5 I	2500	1995->	5	N7Q	0.8	BK6RETC	BK6RETI	BK6RETIP
SANDERO	0.9 T	1000	2013->	3	H4B 400	0.7	LDK7RTC	LDK7RTI	LDK7RTIP
SANDERO	1.2 16V	1200	2013->	4	D4F 734/732	0.8	LDA7RAC	LDA7RAI	LDA7RAIP
SANDERO	1.4 I	1400	2010->	4	K7J 710	0.8	BK6RETC	BK6RETI	BK6RETIP
SANDERO	1.6 16V	1600	2008->	4	K4M 858	0.8	BK6RETC	BK6RETI	BK6RETIP
SANDERO	1.6 MPI	1600	2010->	4	K4M 710	0.8	BK6REDY	BK6RETI	BK6RETIP
SCENIC	1.6 I	1600	1998->1999	4	K4M 702 703 720	0.8	BK5RETC	BK5RETI	BK5RETIP
SCENIC	2.0 RXI	2000	1998->2000	4	N7Q	0.8	BK6REDY	BK6RETI	BK6RETIP
SCENIC 2	1.4 RTE	1400	2001->2004	4	K4J	0.8	BK6REDY	BK6RETI	BK6RETIP
SCENIC 2	1.6 I	1600	1998->	4	K4M	0.8	BK6RETC	BK6RETI	BK6RETIP
SCENIC 2	2.0 NR4	2000	2000->	4	F4R 740,744	0.8	BK6RETC	BK6RETI	BK6RETIP
SCENIC 3	1.4 TCE	1400	2009->	4	H4J	0.7	LDK7RTC	LDK7RTI	LDK7RTIP
SCENIC 3	2.0 16V	2000	2009->	4	M4R 710	1.1	LDK6RAC	LDK6RAI	LDK6RAIP
TWINGO	0.9 TCE 90	900	2014->	3	H4B 401	0.7	LDK7RTC	LDK7RTI	LDK7RTIP
TWINGO	1.2 I	1200	2007->	4	D4F-722,740,764	0.8	LDA7RAC	LDA7RAI	LDA7RAIP
TWINGO 2	1.6 I	1600	2008->	4	K4M 854	0.8	BK7REJC	BK7RETI	BK7RETIP
SMART									
1000	1.0 FOR TWO	1000	2008->	3	M132.930	0.9	LDK7RTC	LDK7RTI	LDK7RTIP
600	0.6 I	600	1998->2003	3	M160	0.8	BK6REDY	BK6RETI	BK6RETIP
700	0.7 I	700	2002->2005	3	M160.01	0.7	LDK8RDY	LDK8RTI	LDK8RTIP
700	0.7 ROADSTER	700	2003->2005	3	M160.01	0.7	LDK8RDY	LDK8RTI	LDK8RTIP
FORFOUR	1.4 I	1300	2004->2006	4	M135.930	1.1	LBK6RETC	LBK6RETI	LBK6RETIP
FORFOUR	1.5 I	1500	2004->2006	4	M135.950	1.1	LBK6RETC	LBK6RETI	LBK6RETIP
FORTWO	0.7 I	700	2004->	3	M160.01	0.7	LDK8RDY	LDK8RTI	LDK8RTIP
FORTWO	1.0 T	1000	2012->	3	M132.930	0.9	LDK7RTC	LDK7RTI	LDK7RTIP
FORTWO	1	1000	2007->	3	M132.910	0.9	LDK7RTC	LDK7RTI	LDK7RTIP
SUBARU									
FORESTER	2.0 GL	2000	2005->	4	EJ20	0.8	LBK6RETC	LBK6RETI	LBK6RETIP
FORESTER	2.0 GL,GX,GT	2000	1998->	4	EJ20	0.8	BK6RETC	BK6RETI	BK6RETIP
FORESTER	2.0 GT	2000	2008->	4	EJ20	0.8	LBK6RETC	LBK6RETI	LBK6RETIP
FORESTER	2.0 X	2000	2008->	4	EJ204	1.1	LBK6RETC	LBK6RETI	LBK6RETIP
FORESTER	2.0 XT	2000	2013->	4	FA20E/F	0.6	LDA8RTC	LDA8RTI	LDA8RTIP

Model	Type	Capacity	Year	Cyl	Engine	Gap	TAKUMI-Classic*	TAKUMI-Super*	TAKUMI-XSuper*
FORESTER	2.5 I	2500	2005->	4	EJ25	1.1	BK6RETC	BK6RETI	BK6RETIP
FORESTER	2.5 I	2500	2006->2008	4	EJ25	0.8	LBK6RETC	LBK6RETI	LBK6RETIP
FORESTER	2.5 I	2500	2008->	4	EJ25	0.8	LBK6RETC	LBK6RETI	LBK6RETIP
FORESTER	2.5 I	2500	2011->	5	FB25	1.1	LDA7RTC	LDA7RTI	LDA7RTIP
FORESTER	2.5 X	2500	2013->	4	FB25A	1.1	LDA7RTC	LDA7RTI	LDA7RTIP
FORESTER	2.5 XS	2500	2009->	4	EJ253		BK6RETC	BK6RETI	BK6RETIP
IMPREZA	1.5 R	1500	2007->	4	EJ15	0.8	LBK6RETC	LBK6RETI	LBK6RETIP
IMPREZA	1.8 GL/GT	1800	1994->1996	4	EJ18	0.8	BK6RETC	BK6RETI	BK6RETIP
IMPREZA	2.0 I	2000	2010->	4	EJ204	1.1	LBK6RETC	LBK6RETI	LBK6RETIP
IMPREZA	2.0 R	2000	2006->	4	EJ20	0.8	LBK6RETC	LBK6RETI	LBK6RETIP
IMPREZA	2.0 R	2000	2007->	4	EK20	0.8	LBK6RETC	LBK6RETI	LBK6RETIP
IMPREZA	2.0 RS	2000	2004->	4	EJ20	1.1	BK6RETC	BK6RETI	BK6RETIP
IMPREZA	2.0 WRX STI	2000	2004->	4	EJ20	1.1	BK6RETC	BK6RETI	BK6RETIP
IMPREZA	2.0 WRX TURBO	2000	1995->	4	EJ20	0.8	BK6RETC	BK6RETI	BK6RETIP
IMPREZA	2.5 WRX STI	2500	2005->2007	4	EJ25	0.8	LBK6RETC	LBK6RETI	LBK6RETIP
IMPREZA	2.5 WRX STI	2500	2008->	4	EJ25	1.1	LBK6RETC	LBK6RETI	LBK6RETIP
LEGACY	2.0 GL	2000	1996->	4	EJ20	1.1	BK6RETC	BK6RETI	BK6RETIP
LEGACY	2.0 L	2000	2004->	4	EJ20	1.1	BK6RETC	BK6RETI	BK6RETIP
LEGACY	2.2 GX 4X4	2200	1994->1999	4	EJ22	1.1	BK6RETC	BK6RETI	BK6RETIP
LEGACY	2.5 GL	2500	1998->2003	4	EJ25	1.1	BK6RETC	BK6RETI	BK6RETIP
LEGACY	2.5 GX	2500	1998->	4	EJ25	1.1	BK6RETC	BK6RETI	BK6RETIP
LEGACY	3.0 R	3000	2005->	6	EZ30	0.8	LBK6RETC	LBK6RETI	LBK6RETIP
OUTBACK	2.5 I	2500	2003->2008	4	EJ25	1.1	BK6RETC	BK6RETI	BK6RETIP
OUTBACK	2.5 I	2500	2006->	4	H4 EJ255	1.1	BK6RETC	BK6RETI	BK6RETIP
OUTBACK	2.5 I	2500	2009->	4	EJ253	1.1	BK6RETC	BK6RETI	BK6RETIP
OUTBACK	3.0 I	3000	2006->	6	H6 EZ30D	1.1	LBK6RETC	LBK6RETI	LBK6RETIP
OUTBACK	3.6 R	3600	2009->	6	EZ36D	1.1	LBK6RETC	LBK6RETI	LBK6RETIP
SPORTS COUPE	3.3 SVX 4X4	3300	1994->	6	EG33	1.1	BK6RETC	BK6RETI	BK6RETIP
TRAVIQ	2.2 16V	2200	2001->2005	4		1	LBT6REFTC	LBT6REFTI	LBT6REFTIP
TRIBECA	3.0 B9	3000	2006->	6	EZ30	0.8	LBK6RETC	LBK6RETI	LBK6RETIP
TRIBECA	3.6 L 24V	3600	2007->	6	EJ36	1.1	LBK6RETC	LBK6RETI	LBK6RETIP
XV	2.0 I	2000	2012->	4	FB20A/ FB20B	1.1	LDA7RTC	LDA7RTI	LDA7RTIP
XV	2.0 R	2000	2011->	4	FB20A	1.1	LDA7RTC	LDA7RTI	LDA7RTIP
SUZUKI									
ALTO	1.0 GL	1000	2009->	4	G10B	1.1	BK6RETC	BK6RETI	BK6RETIP
ALTO	1.0 GL, GLS	1000	2009->	4	K10B	1	DC7RETC	DC7RETI	DC7RETIP
ALTO	1.0 I	1000	2009->	3	K10B	1.1	DC7RETC	DC7RETI	DC7RETIP
CELERIO	1.0 GL	1000	2015->	3	K10	1	DC7RETC	DC7RETI	DC7RETIP
CIAZ	1.4 I	1400	2015->	4	K14B	1	DC7RETC	DC7RETI	DC7RETIP
ERTIGA	1.4 I	1400	2012->	4	K14B	1	DC7RETC	DC7RETI	DC7RETIP
GRAND VITARA	1.6 16V MULTI-POINT INJECT	1600	1999->	4	G16B	0.8	BK6RETC	BK6RETI	BK6RETIP
GRAND VITARA	1.6 I VVT	1600	2005->	4	M16A	1.1	BK6RETC	BK6RETI	BK6RETIP
GRAND VITARA	2.0 I	2000	1998->2000	4	J20A	1.1	BK6RETC	BK6RETI	BK6RETIP
GRAND VITARA	2.0 JB420	2000	2005->	4	J20A	1.1	BK6RETC	BK6RETI	BK6RETIP
GRAND VITARA	2.4 I	2400	2008->	4	J24B	1.1	LBK6RETC	LBK6RETI	LBK6RETIP
GRAND VITARA	2.4 VVT	2400	2008->	4	J24B	1.1	LBK6RETC	LBK6RETI	LBK6RETIP
GRAND VITARA	2.5 I	2500	1999->	6	H25	1.1	BK6RETC	BK6RETI	BK6RETIP
GRAND VITARA	2.7 I	2700	2003->	6	H27	1.1	BK6RETC	BK6RETI	BK6RETIP
GRAND VITARA	3.2 I V6	3200	2010->	6		1.3	BT5REFTC	BT5REFTI	BT5REFTIP
JIMNY	1.3 VVT	1300	2000->	4	M13A	1.1	BK6RETC	BK6RETI	BK6RETIP
KIZASHI	2.4 I	2400	2010->	4	J24B	1.1	LBK6RETC	LBK6RETI	LBK6RETIP
SAMURAI	1.3 I	1300	1992->	4	G13A	0.8	B5RETC	B5RETI	B5RETIP
SJ 410	1.0 4 X4	1000	1983->1989	3		0.8	B5RETC	B5RETI	B5RETIP
SJ 413	1.3 4 X4	1300	1986->1989	4		0.8	B6RETC	B6RETI	B6RETIP
SPLASH	1.2 VVT	1200	2012->	4	K12B	1.1	DC7RETC	DC7RETI	DC7RETIP
ST 90	1.0 MICROBUS	1000	1983->1989	4	F8A	0.8	B5RETC	B5RETI	B5RETIP
SWIFT	1.2 I	1200	2010->	4	K12B	1.1	BK6RETC	BK6RETI	BK6RETIP
SWIFT	1.3 I	1300	2005->	4	M13A	1.1	BK6RETC	BK6RETI	BK6RETIP
SWIFT	1.4 I	1400	2010->	4	K14B	0.8	DC7RETC	DC7RETI	DC7RETIP
SWIFT	1.5 GL, GLS VVT	1500	2005->	4	M15A	1.1	BK6RETC	BK6RETI	BK6RETIP
SWIFT	1.6 I	1600	2005->	4	M16A	1.1	BK6RETC	BK6RETI	BK6RETIP
SWIFT	1.6 I	1600	2012->	4	M16A	1.1	LBK6RETC	LBK6RETI	LBK6RETIP
SWIFT	1.6 I VVT	1600	2007->2011	4	M16A	1.1	BK6RETC	BK6RETI	BK6RETIP
SX4	1.5 I	1500	2006->	4	M15A	1.1	BK6RETC	BK6RETI	BK6RETIP
SX4	1.6 VVT	1600	2006->2012	4	M16A	1.1	BK6RETC	BK6RETI	BK6RETIP
SX4	1.6 VVT	1600	2013->	4	M16A	1.1	LBK6RETC	LBK6RETI	LBK6RETIP
SX4	2.0 CVT	2000	2010->	4	J20B	1.1	LBK6RETC	LBK6RETI	LBK6RETIP
SX4	2.0 MT VVT	2000	2006->	4	J20A	1.1	BK6RETC	BK6RETI	BK6RETIP
VITARA	1.6 16V	1600	1995->1998	4	G16A	0.8	BK6RETC	BK6RETI	BK6RETIP
VITARA	2.0 24V V6	2000	1999->	6	H20A DOHC	0.8	BK6RETC	BK6RETI	BK6RETIP

A
B
C
D
E
F
G
H
I
J
K
L
M
N
O
P
Q
R
S
T
U
V
W
X
Y
Z
VEHICLE MODEL MATCHING TABLE

A
B
C
D
E
F
G
H
I
J
K
L
M
N
O
P
Q
R
S
T
U
V
W
X
Y
Z
VEHICLE MODEL MATCHING TABLE

Model	Type	Capacity	Year	Cyl	Engine	Gap	TAKUMI-Classic*	TAKUMI-Super*	TAKUMI-XSuper*
TOYOTA									
1200	1.2 PICK-UP	1200		4	3K	0.8	B6RETC	B6RETI	B6RETIP
AURIS	1.3 VVT	1300	2008->	4	1NR-FE	1.1	LDA7RTC	LDA7RTI	LDA7RTIP
AURIS	1.4 VVT	1400	2007->2007	4	4ZZ-FE	1.1	BK5RETC	BK5RETI	BK5RETIP
AURIS	1.6 VVT	1600	2007->2008	4	1ZR-FE	1.1	LDA7RTC	LDA7RTI	LDA7RTIP
AURIS	1.6 VVT	1600	2008->	4	1ZR-FAE	1.1	LDA7RTC	LDA7RTI	LDA7RTIP
AURIS	1.8 HYBRID	1800	2012->	4	2ZR-FXE	1.1	LDA7RTC	LDA7RTI	LDA7RTIP
AURIS	1.8 VVT	1800	2007->	4	2ZR-FE	1.1	LDA7RTC	LDA7RTI	LDA7RTIP
AURIS	1.8 VVT	1800	2009->	4	2ZR-FAE	1.1	LDA7RTC	LDA7RTI	LDA7RTIP
AVANTE	1.6 GLE	1600	1985->1988	4	4AL	0.8	B5RETC	B5RETI	B5RETIP
AVANTE	1.6 GLI	1600	1985->1988	4	4AGE	1.1	BK6RETC	BK6RETI	BK6RETIP
AVANZA	1.3 I	1300	2006->	4	K3VE	0.9	DC7RETC	DC7RETI	DC7RETIP
AVANZA	1.5 I	1500	1999->2005	4	K5VE	0.9	DC7RETC	DC7RETI	DC7RETIP
AVANZA	1.5 VVT	1500	2006->	4	3SZ-VE	0.9	DC7RETC	DC7RETI	DC7RETIP
AVANZA	1.6 VVT	1600	2008->	4	1ZR-FAE	1.1	LDA7RTC	LDA7RTI	LDA7RTIP
AVANZA	1.8 VVT	1800	2009->	4	2ZR-FAE	1.1	LDA7RTC	LDA7RTI	LDA7RTIP
AVENSIS	2.0 I	2000	2003->	4	1AZ-FSE	1.1	BK6RETC	BK6RETI	BK6RETIP
AVENSIS	2.0 I WITH CAT	2000	2006->	4	1AZ-FE	1.1	BK6RETC	BK6RETI	BK6RETIP
AVENSIS	2.0 I WITHOUT CAT	2000	2003->	4	1AZ-FE	1.1	BK6RETC	BK6RETI	BK6RETIP
AVENSIS	2.4 I	2400	2004->	4	2AZ-FE	1.1	BK6RETC	BK6RETI	BK6RETIP
AVENSIS	2.4 I	2400	2005->	4	2AZ-FSE	1.1	BK6RETC	BK6RETI	BK6RETIP
AVENSIS 2	1.6 I	1600	2003->2009	4	3ZZ-FE	1.1	BK5RETC	BK5RETI	BK5RETIP
AVENSIS 2	1.8 I	1800	2003->2009	4	1ZZ-FE	1.1	BK5RETC	BK5RETI	BK5RETIP
AVENSIS 2	2.0 I	2000	2003->2009	4	1AZ-FE	1.1	BK6RETC	BK6RETI	BK6RETIP
AVENSIS 2	2.0 I	2000	2003->2012	4	1AZ-FSE	1.1	BK6RETC	BK6RETI	BK6RETIP
AVENSIS 3	1.6 I	1600	2008->	4	1ZR-FAE	1.1	LDA7RTC	LDA7RTI	LDA7RTIP
AVENSIS 3	1.8 I	1800	2008->	4	2ZR-FAE	1.1	LDA7RTC	LDA7RTI	LDA7RTIP
AVENSIS 3	2.0 I	2000	2008->	4	3ZR-FAE	1.1	LDA7RTC	LDA7RTI	LDA7RTIP
AYGO	1.0 I	1000	2011->2013	3	1KR-FE	1.1	LBK6RETC	LBK6RETI	LBK6RETIP
AYGO	1.0 I	1000	2014->	3	1KR-FE	1.1	LDA7RTC	LDA7RTI	LDA7RTIP
CAMRY	2.0 I	2000	2003->	4	1AZ-FE	1.1	BK6RETC	BK6RETI	BK6RETIP
CAMRY	2.0 I,SI	2000	1992->2001	4	3S-FE	1.1	BK6RETC	BK6RETI	BK6RETIP
CAMRY	2.2 SI,SEI	2200	1992->1997	4	5S-FE	1.1	BK6RETC	BK6RETI	BK6RETIP
CAMRY	2.2 SI,SEI	2200	1997->2002	4	5S-FE	1.1	BK6RETC	BK6RETI	BK6RETIP
CAMRY	2.4 I	2400	2003->2007	4	2AZ-FE	1.1	BK6RETC	BK6RETI	BK6RETIP
CAMRY	3.0 I	3000	2003->	6	1MZ-FE	1.1	BK6RETC	BK6RETI	BK6RETIP
CAMRY	3.0 SEI	3000	1992->2001	6	3VZ-FE	1.1	BK6RETC	BK6RETI	BK6RETIP
CAMRY	3.5 XLE	3500	2009->	6	2GR-FE	1.1	LDK6RTC	LDK6RTI	LDK6RTIP
CARINA	1.5 G	1500	1983->1988	4	5K-J	1.1	B5RETC	B5RETI	B5RETIP
CELICA	2.0 TURBO	2000	->1989	4	3S-GTE	0.8	BK6RETC	BK6RETI	BK6RETIP
CELICA	2.0 TURBO	2000	1990->	4	3S-GTE	0.8	BK6RETC	BK6RETI	BK6RETIP
CELICA	2.8 SUPRA	2800	1984->1988	6	5MGE	0.8	B5RETC	B5RETI	B5RETIP
CONDOR	1.8 L	1800	2000->2003	4	2Y	0.8	B5RETC	B5RETI	B5RETIP
CONDOR	2.0 I	2000	2003->	4	1RZ	0.8	B5RETC	B5RETI	B5RETIP
CONDOR	2.4 I	2400	2000->	4	2RZ	0.8	B5RETC	B5RETI	B5RETIP
CONQUEST	1.3 GS,S 12V	1300	1986->1993	4	2EL	0.8	B5RETC	B5RETI	B5RETIP
CONQUEST	1.3 SPORT	1300	1993->1996	4	2E	1.1	B5RETC	B5RETI	B5RETIP
CONQUEST	1.3 TAZZ	1300	2000->	4	2E	1.1	B5RETC	B5RETI	B5RETIP
CONQUEST	1.6 16V SPORT	1600	1988->1993	4	4AF	0.8	BK5RETC	BK5RETI	BK5RETIP
CONQUEST	1.6 GL	1600	1985->1988	4	4AL	0.8	B5RETC	B5RETI	B5RETIP
CONQUEST	1.6 I RS,SPORT	1600	1993->1998	4	4A-FE	1.1	BK5RETC	BK5RETI	BK5RETIP
CONQUEST	1.6 RS	1600	1992->	4	4AL	0.8	B5RETC	B5RETI	B5RETIP
CONQUEST	1.6 RSI	1600	1986->1988	4	4AGE	1.1	BK6RETC	BK6RETI	BK6RETIP
CONQUEST	1.6 RSI TWINCAM	1600	1988->1993	4	4AGE	0.8	BK6RETC	BK6RETI	BK6RETIP
CONQUEST	1.8 I SPORT,RSI	1800	1993->1996	4	7A-FE	0.8	BK6RETC	BK6RETI	BK6RETIP
COROLLA	160I GL, GLE	1600	1996->2007	4	4A-FE	1.1	BK5RETC	BK5RETI	BK5RETIP
COROLLA	1.3 12V	1300	1993->1996	4	2E	1.1	B6RETC	B6RETI	B6RETIP
COROLLA	1.3 G	1300	1984->1988	4	2AL	0.8	B5RETC	B5RETI	B5RETIP
COROLLA	1.3 I	1300	2008->	4	1NR-FE	1.1	LDA7RTC	LDA7RTI	LDA7RTIP
COROLLA	1.3 L	1300	1981->1983	4	4K-U	1.1	B5RETC	B5RETI	B5RETIP
COROLLA	1.3 L	1300	1981->1987	4	4K-J	1.1	B5RETC	B5RETI	B5RETIP
COROLLA	1.3 L,GL 12V	1300	->1986	4	2EL	0.8	B6RETC	B6RETI	B6RETIP
COROLLA	1.3 L,L,GL RWD	1300	1982->1985	4	4K	0.8	B5RETC	B5RETI	B5RETIP
COROLLA	1.4 I	1400	2002->2007	4	4ZZ-FE	1.1	BK5RETC	BK5RETI	BK5RETIP
COROLLA	1.5 I	1500	1998->2007	4	5A-FE	1.1	BK5RETC	BK5RETI	BK5RETIP
COROLLA	1.6 16V	1600	1997->2007	4	4A-FE	1.1	BK5RETC	BK5RETI	BK5RETIP
COROLLA	1.6 16V SPORT	1600	1988->1993	4	4AF	0.8	BK5RETC	BK5RETI	BK5RETIP
COROLLA	1.6 GLI T-CAM	1600	1990->	4	4AGE	0.8	BK6RETC	BK6RETI	BK6RETIP
COROLLA	1.6 GLI T-CAM	1600	1988->1993	4	4AGE	1.1	BK6RETC	BK6RETI	BK6RETIP
COROLLA	1.6 GLX,GLS	1600	1988->1993	4	4AF	0.8	BK5RETC	BK5RETI	BK5RETIP
COROLLA	1.6 GL, TRD	1600	1980->1985	4	2T	0.8	B6RETC	B6RETI	B6RETIP
COROLLA	1.6 I	1600	2002->	4	3ZZ-FE	1.1	BK5RETC	BK5RETI	BK5RETIP

Model	Type	Capacity	Year	Cyl	Engine	Gap	TAKUMI-Classic*	TAKUMI-Super*	TAKUMI-XSuper*
COROLLA	1.6 I	1600	2007->	4	1ZR-FE	1.1	LDA7RTC	LDA7RTI	LDA7RTIP
COROLLA	1.6 I GL, GLE	1600	1993->1996	4	4A-FE	1.1	BK5RETC	BK5RETI	BK5RETIP
COROLLA	1.6 L	1600	1984->1988	4	4A, 4AL	0.8	B5RETC	B5RETI	B5RETIP
COROLLA	1.6 RSI, RXI 20V	1600	1997->	4	4AGE	1.1	BK6RETC	BK6RETI	BK6RETIP
COROLLA	1.6 SE	1600	1980->1983	4	2TB	0.8	B5RETC	B5RETI	B5RETIP
COROLLA	1.6 T- CAM	1600	1985->1988	4	4AGE	0.8	BK6RETC	BK6RETI	BK6RETIP
COROLLA	1.6 VAN	1600	1983->1989	4	2T	0.8	B5RETC	B5RETI	B5RETIP
COROLLA	1.8 I	1800	2002->	4	2ZZ-GE	1.1	BK6RETC	BK6RETI	BK6RETIP
COROLLA	1.8 I GSX	1800	2002->	4	1ZZ-FE	1.1	BK5RETC	BK5RETI	BK5RETIP
COROLLA	1.8 I GSX, GLE, SPORT	1800	1993->1996	4	7A-FE	0.8	BK6RETC	BK6RETI	BK6RETIP
COROLLA	1.8 L	1800	2007->	4	2ZR-FE	1.1	LDA7RTC	LDA7RTI	LDA7RTIP
COROLLA	1.8 SE, GLS SPRINTER	1800	1980->1985	4	3T	0.8	B5RETC	B5RETI	B5RETIP
COROLLA	1.8 TRD	1800	1980->1981	4	3T	0.8	B6RETC	B6RETI	B6RETIP
COROLLA	1.8 VERSO	1800	2004->2007	4	1ZZ-FE	1.1	BK5RETC	BK5RETI	BK5RETIP
COROLLA	2.0 VERSO	2000	2001->2007	4	1ZZ-FE	1.1	BK5RETC	BK5RETI	BK5RETIP
COROLLA	2.0 VVT	2000	2010->	4	3ZR-FAE	1.1	LDA7RTC	LDA7RTI	LDA7RTIP
COROLLA	2.4 XRS	2400	2009->	4	2AZ-FE	1.1	BK6RETC	BK6RETI	BK6RETIP
COROLLA QUEST	1.6 I	1600	2014->	4	1ZR-FE	1.1	LDA7RTC	LDA7RTI	LDA7RTIP
COROLLA VERSO	1.6 I	1600	2005->	4	3ZZ-FE	1.1	BK5RETC	BK5RETI	BK5RETIP
COROLLA VERSO	1.8 I	1800	2005->	4	1ZZ-FE	1.1	BK5RETC	BK5RETI	BK5RETIP
COROLLA VERSO	2.0 I	2000	2001->	4	1ZZ-FE	1.1	BK5RETC	BK5RETI	BK5RETIP
CORONA	1.5 GL	1500	1983->1987	4	5K-J	1.1	B5REHC	B5REHI	B5REHIP
CRESSIDA	1.8 L	1800	1976->1981	4	18R	0.8	B6RETC	B6RETI	B6RETIP
CRESSIDA	1.8 LS	1800	1986->1989	4	2Y	0.8	B5RETC	B5RETI	B5RETIP
CRESSIDA	1.8 L, LS, DX	1800	1980->1986	4	3T	0.8	B5RETC	B5RETI	B5RETIP
CRESSIDA	2.0 GLE	2000	1983->1986	4	21R	0.8	B6RETC	B6RETI	B6RETIP
CRESSIDA	2.0 GLI 6	2000	1983->1986	6	1GE	0.8	B6RETC	B6RETI	B6RETIP
CRESSIDA	2.0 GLI 6	2000	1986->1989	6	1GE	0.8	B6RETC	B6RETI	B6RETIP
CRESSIDA	2.0 GLI 6	2000	1989->1992	6	1GFE	0.8	BK6RETC	BK6RETI	BK6RETIP
CRESSIDA	2.0 GL, GLX	2000	1981->1986	4	21R	0.8	B6RETC	B6RETI	B6RETIP
CRESSIDA	2.0 GS	2000	1989->1992	4	3Y	0.8	B5RETC	B5RETI	B5RETIP
CRESSIDA	2.4 GL, GLE	2400	1987->1992	4	22R	0.8	B6RETC	B6RETI	B6RETIP
CRESSIDA	2.8 I	2800	1985->1986	6	5ME	0.8	B5RETC	B5RETI	B5RETIP
CRESSIDA	2.8 RSI	2800	1986->1989	6	5MGE	0.8	B5RETC	B5RETI	B5RETIP
CRESSIDA	3.0 GLS 24V	3000	1989->	6	7MGE	0.8	BK6RETC	BK6RETI	BK6RETIP
CRESSIDA	3.0 TURBO	3000	1989->1992	6	7MGE	0.8	BK7RETC	BK7RETI	BK7RETIP
DYNA	2.0 L	2000	1978->1986	4	5R	0.8	B6RETC	B6RETI	B6RETIP
DYNA	2.0 L	2000	1985->1995	4	3Y	0.8	B5RETC	B5RETI	B5RETIP
DYNA	2.0 LWB	2000	1985->1995	4	5Y	0.8	B6RETC	B6RETI	B6RETIP
DYNA	2.2 6-094	2200	1994->1996	4	4Y	0.8	B6RETC	B6RETI	B6RETIP
ETIOS	1.5 I	1500	2012->	4	2NR	1.1	LBK5RETC	LBK5RETI	LBK5RETIP
FJ CRUISER	4.0 I	4000	2011->	6	1GR-FE	1.1	LBK6RETC	LBK6RETI	LBK6RETIP
HI-LUX	1.6 LWB, SWB	1600	1979->1987	4	1Y	0.8	B5RETC	B5RETI	B5RETIP
HI-LUX	1.6 SWB	1600	1979->1987	4	12R	0.8	B5RETC	B5RETI	B5RETIP
HI-LUX	1.8 S, SR	1800	1987->1996	4	2Y	0.8	B5RETC	B5RETI	B5RETIP
HI-LUX	2.0 4X4	2000	1979->1987	4	18R	0.8	B5RETC	B5RETI	B5RETIP
HI-LUX	2.0 L	2000	2001->	4	1RZ	0.8	B5RETC	B5RETI	B5RETIP
HI-LUX	2.0 L	2000	2005->	4	1TR-FE	1.1	LBK6RETC	LBK6RETI	LBK6RETIP
HI-LUX	2.0 S	2000	1983->1986	4	3Y	0.8	B5RETC	B5RETI	B5RETIP
HI-LUX	2.0 VVTI	2000	2005->	4	1TR-FE	1.1	LBK6RETC	LBK6RETI	LBK6RETIP
HI-LUX	2.2 4X4	2200	1985->1986	4	4Y	0.8	B5RETC	B5RETI	B5RETIP
HI-LUX	2.4 S	2400	1994->1996	4	22R	0.8	B6RETC	B6RETI	B6RETIP
HI-LUX	2.7 VVTI	2700	2005->	4	2TR-FE	1.1	LBK6RETC	LBK6RETI	LBK6RETIP
HI-LUX	2.7I RAIDER, SRX	2700	1998->	4	3RZ-FE	0.8	BK5RETC	BK5RETI	BK5RETIP
HI-LUX	4.0 I	4000	2005->	6	1GR-FE	1.1	LBK6RETC	LBK6RETI	LBK6RETIP
INNOVA	2.7 VVTI	2700	2011->	4	2TR-FE	1.1	LBK6RETC	LBK6RETI	LBK6RETIP
LAND-CRUISER	2.7 I	2700	2003->	4	3RZ-FE	1.1	BK5RETC	BK5RETI	BK5RETIP
LAND-CRUISER	2.7 I	2700	2005->	4	2TR-FE	1.1	LBK6RETC	LBK6RETI	LBK6RETIP
LAND-CRUISER	3.4 V6 PRADO GX, VX	3400	1997->1999	6	5VZ-FE	1.1	BK5REDY	BK5REI	BK5REIP
LAND-CRUISER	4.0 I	4000	1988->	6	3F	0.8	B5RETC	B5RETI	B5RETIP
LAND-CRUISER	4.0 L	4000	1988->	6	3F	0.8	B4ETC	B4ETI	B4ETIP
LAND-CRUISER	4.0 PRADO	4000	2003->2006	6	1GR-FE	1.1	LBK6RETC	LBK6RETI	LBK6RETIP
LAND-CRUISER	4.2 I	4200	1981->1985	6	2F	0.8	B5RETC	B5RETI	B5RETIP
LAND-CRUISER	4.5 I	4500	1988->2000	6	1FZ-FE	0.8	BK5RETC	BK5RETI	BK5RETIP
LAND-CRUISER	4.5 I	4500	2002->	6	1FZ-FE	1.1	BK5REDY	BK5REI	BK5REIP
LAND-CRUISER	4.6 I	4600	2009->	8	1UR-FE	1.1	LBK6RETC	LBK6RETI	LBK6RETIP
LAND-CRUISER	4.7 I	4700	2000->	8	2UZ-FE	1.1	BK6RETC	BK6RETI	BK6RETIP
LAND-CRUISER	5.7 I	5700	2009->	8	3UR-FE	1.1	LBK6RETC	LBK6RETI	LBK6RETIP
MR2	1.6 COUPE	1600	1986->1988	4	4AGE	1.1	BK6RETC	BK6RETI	BK6RETIP
MR2	1.8 SPYDER	1800	2000->	4	1ZZ-FE	1.1	BK5RETC	BK5RETI	BK5RETIP

A
B
C
D
E
F
G
H
I
J
K
L
M
N
O
P
Q
R
S
T
U
V
W
X
Y
Z
VEHICLE MODEL MATCHING TABLE

A
B
C
D
E
F
G
H
I
J
K
L
M
N
O
P
Q
R
S
T
U
V
W
X
Y
Z
VEHICLE MODEL MATCHING TABLE

Model	Type	Capacity	Year	Cyl	Engine	Gap	TAKUMI-Classic*	TAKUMI-Super*	TAKUMI-XSuper*
MR2	2.0 16V	2000	1993->	4	3SGTE	1.1	BK6RETC	BK6RETI	BK6RETIP
MR2	2.0 16V	2000	2005->	4	3SGE	1.1	BK6RETC	BK6RETI	BK6RETIP
MR2	2.2 I	2200	1993->	4	3S-FE	1.1	BK6RETC	BK6RETI	BK6RETIP
PRADO	3.4 GX, VX	3400	1997->	6	5VZ-FE	1.1	BK5REDY	BK5REI	BK5REIP
PRADO	4.0 I	4000	2003->	6	1GR-FE	1.1	LBK6RETC	LBK6RETI	LBK6RETIP
PREVIA	2.4 I	2400	1995->1999	4	2TZ-FE	0.8	BK5RETC	BK5RETI	BK5RETIP
PRIUS	1.5 HYBRID	1500	2005->2009	4	1NZ-FXE	1.1	BK5RETC	BK5RETI	BK5RETIP
PRIUS	1.8 HYBRID	1800	2009->	4	2ZR-FXE	1.1	LDA7RTC	LDA7RTI	LDA7RTIP
QUANTUM	2.7 I	2700	2006->	4	2TR-FE	1.1	LBK6RETC	LBK6RETI	LBK6RETIP
RAV 4	1.8 4X2	1800	2003->2006	4	1ZZ-FE	1.1	BK5RETC	BK5RETI	BK5RETIP
RAV 4	2.0 I	2000	1995->2000	4	3S-FE	1.1	BK6RETC	BK6RETI	BK6RETIP
RAV 4	2.0 I	2000	2000->2006	4	1AZ-FE	1.1	BK6RETC	BK6RETI	BK6RETIP
RAV 4	2.0 I	2000	2008->	4	3ZR FAE	1.1	LDA7RTC	LDA7RTI	LDA7RTIP
RAV 4	2.4 I	2400	2005->2007	4	2AZ-FE	1.1	BK6RETC	BK6RETI	BK6RETIP
RAV 4	2.5 I	2500	2014->	4	2AR-FE	1.1	LBK6RETC	LBK6RETI	LBK6RETIP
RAV 4	3.5 I	3500	2007->2010	6	2GR-FE	1.1	LDK6RTC	LDK6RTI	LDK6RTIP
RUN X	1.4 VVT	1400	2003->	4	4ZZ-FE	1.1	BK5RETC	BK5RETI	BK5RETIP
RUN X	1.6 VVT	1600	2003->	4	3ZZ-FE	1.1	BK5RETC	BK5RETI	BK5RETIP
RUN X	1.8 RSI	1800	2003->	4	2ZZ-GE	1.1	BK6RETC	BK6RETI	BK6RETIP
RUN X	1.8 RX	1800	2004->	4	1ZZ-FE	1.1	BK5RETC	BK5RETI	BK5RETIP
SEQUOIA	4.7 I	4700	2009->	8	2UZ-FE	1.1	BK6RETC	BK6RETI	BK6RETIP
SEQUOIA	5.7 SR5	5700	2009->	8	3UR-FE	1.1	LBK6RETC	LBK6RETI	LBK6RETIP
SESFKILE	2.7 I	2700	2007->	4	2TR-FE	1.1	LBK6RETC	LBK6RETI	LBK6RETIP
STALLION	1.5 L	1500	1987->1992	4	5K	0.8	B6RETC	B6RETI	B6RETIP
STALLION	1.8 L	1800	1992->1997	4	2Y	0.8	B5RETC	B5RETI	B5RETIP
STALLION	2.0 I	2000	2003->	4	1RZ	0.8	B6RETC	B6RETI	B6RETIP
STOUT	2.0 CARB	2000	1966->1989	4	3Y	0.8	B5RETC	B5RETI	B5RETIP
STOUT	2.0 HE	2000	1967->1970	4	5R	0.8	B6RETC	B6RETI	B6RETIP
SUPRA	3.0 I	3000	1990->1992	6	7MGE	0.8	BK6RETC	BK6RETI	BK6RETIP
SUPRA	3.0 V6 BITURBO	3000	1993->1994	6	2JZ-GTE	1.1	BK6RETC	BK6RETI	BK6RETIP
TUNDRA	4.0 I	4000	2006->	6	1GR-FEFI	1.1	LBK6RETC	LBK6RETI	LBK6RETIP
TUNDRA	4.7 I	4700	2006->	8	2UZ-FEFI	1.1	BK6RETC	BK6RETI	BK6RETIP
TUNDRA	5.7 SR5	5700	2009->	8	3UR5BE	1.1	LBK6RETC	LBK6RETI	LBK6RETIP
TUV	1.3 H	1300	1982->1987	4	4K	0.8	B5RETC	B5RETI	B5RETIP
TUV	1.5 L	1500	1985->1987	4	5K	0.8	B6RETC	B6RETI	B6RETIP
VENTURE	1.8 L	1800	1992->2000	4	2Y	0.8	B5ETC	B5ETI	B5ETIP
VENTURE	2.2 G	2200	1994->2000	4	4Y	0.8	B5RETC	B5RETI	B5RETIP
VERSO	1.6 I	1600	2005->	4	3ZZ-FE	1.1	BK5RETC	BK5RETI	BK5RETIP
VERSO	1.6 S	1600	2009->	4	1ZR-FAE	1.1	LDA7RTC	LDA7RTI	LDA7RTIP
VERSO	1.8 SX	1800	2009->	4	2ZR-FAE	1.1	LDA7RTC	LDA7RTI	LDA7RTIP
YARIS	1.0 I	1000	2001->	4	1SZ-FE	1.1	BK6RETC	BK6RETI	BK6RETIP
YARIS	1.0 I	1000	2006->	3	1KR-FE	1.1	LBK6RETC	LBK6RETI	LBK6RETIP
YARIS	1.0 I	1000	2013->	3	1KR-FE	0.8	LBK6RETC	LBK6RETI	LBK6RETIP
YARIS	1.3 VVT	1300	2006->	4	2NZ-FE	1.1	BK5RETC	BK5RETI	BK5RETIP
YARIS	1.3 VVTI	1300	2011->	4	1NR-FE	1.1	LDA7RTC	LDA7RTI	LDA7RTIP
YARIS	1.5 VVT	1500	2006->2007	4	1NZ-FE	1.1	BK5RETC	BK5RETI	BK5RETIP
YARIS	1.5 VVT	1500	2010->	4	1NZ-FE	1.1	BK5RETC	BK5RETI	BK5RETIP
YARIS	1.8 TURBO	1800	2008->	4	2ZR-FE	1.1	LDA7RTC	LDA7RTI	LDA7RTIP
VOLKSWAGEN									
AMAROK	2.0 TSI	2000	2010->	4	CFPA	0.8	BK7RETC	BK7RETI	BK7RETIP
BEETLE	1.3 L	1300	1966->1979	4	AB,AR,F	0.6	B6HTC	B6HTI	B6HTIP
BEETLE	1.5 GL	1500	1967->1970	4	H	0.6	B6HTC	B6HTI	B6HTIP
BEETLE	1.6 G	1600	1969->1979	4	AS,AD	0.6	B6HTC	B6HTI	B6HTIP
BEETLE	1.8 TURBO	1800	2003->	4	AGU	0.8	BK6RETC	BK6RETI	BK6RETIP
BEETLE	2.0 FI	2000	2007->	4	CBPA	1	BK6REJC	BK6RETI	BK6RETIP
BEETLE	2.0 I	2000	2003->	4	BER	1.1	BK5REAC	BK5REAI	BK5REAI
BEETLE	2.0 I	2000	2004->	4	BEV	1.1	BK5REAC	BK5REAI	BK5REAI
BEETLE	2.0 I	2000	2005->	4	BHP	1	BK6REJC	BK6RETI	BK6RETIP
BEETLE	2.0 I HIGHLINE	2000	2000->	4	AQY	1	BK6REJC	BK6RETI	BK6RETIP
BEETLE 2	1.2 TSI	1200	2011->	4	CBZB	0.7	BK6REAC	BK6REAI	BK6REAI
BEETLE 2	1.4 TSI	1400	2012->	4	CAVD	0.8	BK6REAC	BK6REAI	BK6REAI
BEETLE 2	2.0 TSI	2000	2011->	4	CBFA	0.8	BK7RETC	BK7RETI	BK7RETIP
BEETLE 2	2.0 TSI	2000	2011->	4	CCTA	0.8	BK7RETC	BK7RETI	BK7RETIP
CADDY	1.4 I	1400	2000->	4	AUD	1.1	BK5REAC	BK5REAI	BK5REAI
CADDY	1.4 TGI	1400	2015->	4	CPWA	0.8	DC7RETCA	DC7RETIA	DC7RETIPA
CADDY	1.6 I	1600	1983->1991	4	HN,EW	0.8	B6RETC	B6RETI	B6RETIP
CADDY	1.8 L	1800	1985->	4	JH	0.8	B6RETC	B6RETI	B6RETIP
CADDY	2.0 I	2000	2006->	4	BSX	0.8	BK6RETC	BK6RETI	BK6RETIP
CARAVELLE	2.5 I	2500	1996->2003	5	AET	0.8	B6RETC	B6RETI	B6RETIP
CARAVELLE	2.6 I	2600	1994->1998	5	ADV	0.8	B7RETC	B7RETI	B7RETIP
CARAVELLE	2.8 VR6 T4	2800	1999->	6	AES	0.8	BK5REDY	BK5REI	BK5REIP
CARAVELLE	3.2 T5	3200	2003->	5	BDL	0.8	BK6REAC	BK6REAI	BK6REAI

Model	Type	Capacity	Year	Cyl	Engine	Gap	TAKUMI-Classic*	TAKUMI-Super*	TAKUMI-XSuper*
CC	1.4 TSI	1400	2015->	4	CZDA	0.8	DC7RETCA	DC7RETIA	DC7RETIPA
CC	1.8 TSI	1800	2011->	4	CDA	0.8	BK7RETC	BK7RETI	BK7RETIP
CC	2.0 TSI	2000	2011->	4	CCZB	0.8	BK7RETC	BK7RETI	BK7RETIP
CC	2.0 TURBO	2000	2009->	4	CCTA	0.8	BK7RETC	BK7RETI	BK7RETIP
CC	3.6 FSI	3600	2011->	6	BWS	0.8	LDK8RTC	LDK8RTI	LDK8RTIP
EOS	1.4 TFSI	1400	2007->	4	CAXA	0.8	BK6REAC	BK6REAI	BK6REAIIP
EOS	1.4 TSI	1400	2008->2010	4	CAVD	0.8	BK6REAC	BK6REAI	BK6REAIIP
EOS	2.0 FI TURBO	2000	2009->	4	BPY	0.8	BK7RETC	BK7RETI	BK7RETIP
EOS	2.0 FSI	2000	2006->	4	BVY	1.1	BK5REAC	BK5REAI	BK5REAIIP
EOS	2.0 TFSI	2000	2006->2007	4	BWA	0.8	BK6RETC	BK6RETI	BK6RETIP
EOS	2.0 TFSI	2000	2007->	4	CCTA	0.8	BK7RETC	BK7RETI	BK7RETIP
EOS	2.0 TFSI	2000	2009->	4	CCZA	0.8	BK7RETC	BK7RETI	BK7RETIP
EOS	3.2 V6	3200	2006->2007	6	BUB	0.8	BK6REAC	BK6REAI	BK6REAIIP
FLEETLINE	1.6 1/2" REACH	1600		4	H,B,AD,AS	0.6	B6HTC	B6HTI	B6HTIP
FOX	1.3 FOX TRIPPA	1300	1987->1993	4	GY	0.8	B6RETC	B6RETI	B6RETIP
FOX	1.6 L	1600	1987->1993	4	HM	0.8	B6RETC	B6RETI	B6RETIP
FOX	1.8 L,SPORT	1800	1990->1995	4	EV	0.8	B7RETC	B7RETI	B7RETIP
GOLF 1	1.1 L, LS,GL	1100	1978->1981	4	FA,GG	0.8	B6RETC	B6RETI	B6RETIP
GOLF 1	1.3 CITI	1300	1995->	4	ET,GY	0.8	B6RETC	B6RETI	B6RETIP
GOLF 1	1.3 CITI SHUTTLE	1300	1995->	4	GY	0.8	B6RETC	B6RETI	B6RETIP
GOLF 1	1.3 CITI SONIC	1300	1995->	4	GY	0.8	B6RETC	B6RETI	B6RETIP
GOLF 1	1.3 L,LS,GL	1300	1979->	4	GF,GL	0.8	B6RETC	B6RETI	B6RETIP
GOLF 1	1.4 CHICO	1400	2001->	4	BBV	0.8	B6RETC	B6RETI	B6RETIP
GOLF 1	1.4 I,CITI, COM,VELOCITI,STORM	1400	2001->	4	AGY	0.8	B7RETC	B7RETI	B7RETIP
GOLF 1	1.5 GLS	1500	1979->1982	4	JB	0.8	B6RETC	B6RETI	B6RETIP
GOLF 1	1.6 CITI SPORT,GTS	1600	1985->	4	FR,HM	0.8	B6RETC	B6RETI	B6RETIP
GOLF 1	1.6 CITI SPORT,DECO,SONIC,BLUES	1600	1995->	4	HM	0.8	B7RETC	B7RETI	B7RETIP
GOLF 1	1.6 I CHICO,LIFE,VELOCITI	1600	2001->	4	AFX	0.8	B7RETC	B7RETI	B7RETIP
GOLF 1	1.8 CTI	1800	1990->	4	EV	0.8	B6RETC	B6RETI	B6RETIP
GOLF 1	1.8 GTI	1800	1983->1985	4	DX	0.8	B6RETC	B6RETI	B6RETIP
GOLF 2	1.3 CL	1300	1984->1987	4	GY	0.8	B6RETC	B6RETI	B6RETIP
GOLF 2	1.6 CSL	1600	1984->1982	4	HM	0.8	B7RETC	B7RETI	B7RETIP
GOLF 2	1.8 CSX	1800	1984->1992	4	HV	0.8	B7RETC	B7RETI	B7RETIP
GOLF 2	1.8 GTI 16V	1800	1986->1990	4	KR	0.8	BK7RETC	BK7RETI	BK7RETIP
GOLF 2	1.8 GTI 8V	1800	1984->1992	4	EV	0.8	B6RETC	B6RETI	B6RETIP
GOLF 2	2.0 GTI 16V	2000	1990->1993	4	AAL	0.8	BK7RETC	BK7RETI	BK7RETIP
GOLF 3	1.6 L	1600	1994->1997	4	ACG	0.8	B6RETC	B6RETI	B6RETIP
GOLF 3	1.6 L	1600	1992->1996	4	HM	0.8	B7RETC	B7RETI	B7RETIP
GOLF 3	1.8 GSX,GTS	1800	1992->1996	4	ACH	0.8	B7RETC	B7RETI	B7RETIP
GOLF 3	2.0 16V	2000	1992->1998	4	ABF	1	BK6REJC	BK6RETI	BK6RETIP
GOLF 3	2.0 8V	2000	1994->1996	4	ADY	0.8	B6RETC	B6RETI	B6RETIP
GOLF 3	2.0 GTI 8V	2000	1992->1996	4	2E/ AGG	0.8	B6RETC	B6RETI	B6RETIP
GOLF 3	2.8 VR6	2800	1992->1995	6	AAA	0.8	BK5REDC	BK5REI	BK5REIP
GOLF 3	2.8 VR6	2800	1995->1997	6	AAA	0.8	BK5REDC	BK5REI	BK5REIP
GOLF 4	1.6 COMFORTLINE	1600	1999->2004	4	AKL	1	BK6REJC	BK6RETI	BK6RETIP
GOLF 4	1.6 I	1600	1998->2004	4	AEH	1	BK6REJC	BK6RETI	BK6RETIP
GOLF 4	1.8 GTI	1800	2001->2004	4	AUQ	0.8	BK6RETC	BK6RETI	BK6RETIP
GOLF 4	1.8 GTI TURBO	1800	2000->	4	AGU	0.8	BK6RETC	BK6RETI	BK6RETIP
GOLF 4	1.8 HIGHLINE 20V	1800	1999->2000	4	AGN	1	BK6REJC	BK6RETI	BK6RETIP
GOLF 4	2.0 HIGHLINE	2000	1999->2004	4	APK	1	BK6REJC	BK6RETI	BK6RETIP
GOLF 4	2.0I	2000	2001->2006	4	AZJ	1.1	BK5REAC	BK5REAI	BK5REAIIP
GOLF 4	2.3 V5	2300	2001->	5	AGZ	0.8	BK5REDC	BK5REI	BK5REIP
GOLF 4	2.8 VR6	2800	2001->	6	AQP,AUE	1.1	BK5REAC	BK5REAI	BK5REAIIP
GOLF 5	1.4 FSI	1400	2006->2007	4	BUD	1.1	BK6REHC	BK6REHI	BK6REHIP
GOLF 5	1.4 FSI	1400	2007->	4	CAXA	0.8	BK6REAC	BK6REAI	BK6REAIIP
GOLF 5	1.4 FSI	1400	2008->	4	EA111	1.1	BK6REHC	BK6REHI	BK6REHIP
GOLF 5	1.4 TSI BI-TURBO	1400	2005->	4	BLG	0.8	BK6REAC	BK6REAI	BK6REAIIP
GOLF 5	1.6 FSI	1600	2003->2004	4	BAG	0.8	BK6REAC	BK6REAI	BK6REAIIP
GOLF 5	1.6 FSI	1600	2004->2005	4	BGU	1	BK6REJC	BK6RETI	BK6RETIP
GOLF 5	1.6 FSI	1600	2004->2005	4	BLP	0.8	BK6REAC	BK6REAI	BK6REAIIP
GOLF 5	1.6 FSI	1600	2007->	4	CCSA	1	BK6REJC	BK6RETI	BK6RETIP
GOLF 5	1.6 I	1600	2005->	4	BSF	1	BK6REJC	BK6RETI	BK6RETIP
GOLF 5	2.0 8V	2000	2000->	4	BHY	1	BK6REJC	BK6RETI	BK6RETIP
GOLF 5	2.0 FSI	2000	2003->2004	4	AXW	1.1	BK5REAC	BK5REAI	BK5REAIIP
GOLF 5	2.0 FSI	2000	2004->	4	BLY	0.8	BK6RETC	BK6RETI	BK6RETIP
GOLF 5	2.0 FSI	2000	2005->	4	BVZ	0.8	BK6RETC	BK6RETI	BK6RETIP
GOLF 5	2.0 FSI TURBO	2000	2004->2006	4	AXX	0.8	BK6RETC	BK6RETI	BK6RETIP
GOLF 5	2.0 GTI	2000	2005->2007	4	BWA	0.8	BK7RETC	BK7RETI	BK7RETIP
GOLF 5	2.0 GTI	2000	2006->	4	BYD	0.8	BK7RETC	BK7RETI	BK7RETIP
GOLF 5	3.2 R32	3200	2005->2007	6	BUB	0.8	BK6REAC	BK6REAI	BK6REAIIP
GOLF 6	1.2 TFSI	1200	2013->	4	CBZA	0.7	BK6REAC	BK6REAI	BK6REAIIP

A
B
C
D
E
F
G
H
I
J
K
L
M
N
O
P
Q
R
S
T
U
V
W
X
Y
Z
VEHICLE MODEL MATCHING TABLE

Model	Type	Capacity	Year	Cyl	Engine	Gap	TAKUMI-Classic*	TAKUMI-Super*	TAKUMI-XSuper*
GOLF 6	1.2 TSI	1200	2013->	4	CBZB	0.7	BK6REAC	BK6REAI	BK6REAIIP
GOLF 6	1.4 FSI	1400	2008->2012	4	CGGA	1.1	BK6REHC	BK6REHI	BK6REHIP
GOLF 6	1.4 TSI	1400	2008->2012	4	CAVD	0.8	BK6REAC	BK6REAI	BK6REAIIP
GOLF 6	1.4 TSI	1400	2008->2012	4	CAVD	0.8	BK6REAC	BK6REAI	BK6REAIIP
GOLF 6	1.4 TSI	1400	2008->2012	4	CAXA	0.8	BK6REAC	BK6REAI	BK6REAIIP
GOLF 6	1.4 TSI	1400	2008->2012	4	CNWA	0.8	BK6REAC	BK6REAI	BK6REAIIP
GOLF 6	1.4 TSI	1400	2008->2012	4	CTHD	0.8	BK6REAC	BK6REAI	BK6REAIIP
GOLF 6	1.6 FSI	1600	2008->2012	4	CCSA	1	BK6REJC	BK6RETI	BK6RETIP
GOLF 6	1.6 FSI	1600	2009->2012	4	CHGA	1	BK6REJC	BK6RETI	BK6RETIP
GOLF 6	1.6 FSI	1600	2010->2012	4	CMXA	1	BK6REJC	BK6RETI	BK6RETIP
GOLF 6	1.8 TFSI	1800	2009->2012	4	CDAA	0.8	BK7RETC	BK7RETI	BK7RETIP
GOLF 6	2.0 GTI	2000	2010->2012	4	CCZB	0.8	BK7RETC	BK7RETI	BK7RETIP
GOLF 6	2.0 TFSI	2000	2009->2012	4	CCTA,CDLF	0.8	BK7RETC	BK7RETI	BK7RETIP
GOLF 6	2.0 TFSI R	2000	2009->2012	4	CDLC	0.8	BK7RETC	BK7RETI	BK7RETIP
GOLF 6	2.0 TFSI R	2000	2009->2013	4	CDLF	0.8	BK7RETC	BK7RETI	BK7RETIP
GOLF 7	1.0 TSI	1000	2015->	3	CHZ	0.8	DC7RETC	DC7RETIA	DC7RETIPA
GOLF 7	1.2 TSI	1200	2012->	4	CJZB	0.8	DC7RETC	DC7RETIA	DC7RETIPA
GOLF 7	1.2 TSI	1200	2014->	4	CYVB	0.8	DC7RETC	DC7RETIA	DC7RETIPA
GOLF 7	1.4 TSI	1200	2014->	4	CPVB	0.8	DC7RETC	DC7RETIA	DC7RETIPA
GOLF 7	1.4 TSI	1400	2009->	4	CTKA	0.8	DC7RETC	DC7RETIA	DC7RETIPA
GOLF 7	1.4 TSI	1400	2012->	4	CMBA	0.8	DC7RETC	DC7RETIA	DC7RETIPA
GOLF 7	1.4 TSI	1400	2012->	4	CXSA	0.8	DC7RETC	DC7RETIA	DC7RETIPA
GOLF 7	1.4 TSI	1400	2014->	4	CHPB	0.8	DC7RETC	DC7RETIA	DC7RETIPA
GOLF 7	1.4 TSI	1400	2014->	4	CUKB	0.8	DC7RETC	DC7RETIA	DC7RETIPA
GOLF 7	1.4 TSI	1400	2014->	4	CZDA	0.8	DC7RETC	DC7RETIA	DC7RETIPA
GOLF 7	2.0 GTI	2000	2013->	4	CHHB	0.8	LBK7RETC	LBK7RETIA	LBK7RETIPA
GOLF 7	2.0 TSI R	2000	2013->	4	CJXB	0.8	LBK7RETC	LBK7RETIA	LBK7RETIPA
GOLF 7	2.0 TSI R	2000	2013->	4	CJXC	0.8	LBK7RETC	LBK7RETIA	LBK7RETIPA
GOLF PLUS	1.6 FSI	1600	2006->	4	BLF	0.8	BK6REAC	BK6REAI	BK6REAIIP
GOLF PLUS	2.0 I	2000	2006->	4	BLR, BVY	1.1	BK5REAC	BK5REAI	BK5REAIIP
GOLF SV	1.2 TSI	1200	2015->	4	CJZA	0.8	DC7RETC	DC7RETIA	DC7RETIPA
GOLF SV	1.4 TSI	1400	2015->	4	CZCA	0.8	DC7RETC	DC7RETIA	DC7RETIPA
JETTA 1	1.3 GL	1300	1980->1985	4	ET	0.8	B6RETC	B6RETI	B6RETIP
JETTA 1	1.5 GLS	1500	1980->1985	4	JB	0.8	B6RETC	B6RETI	B6RETIP
JETTA 1	1.6 GLX	1600	1980->1985	4	EM	0.8	B6RETC	B6RETI	B6RETIP
JETTA 1	1.8 GLI	1800	1983->1985	4	DX	0.8	B7RETC	B7RETI	B7RETIP
JETTA 2	1.6 CSL	1600	1985->1992	4	HM	0.8	B7RETC	B7RETI	B7RETIP
JETTA 2	1.8 CLI 16V	1800	1987->1990	4	KR	0.8	B7RETC	B7RETI	B7RETIP
JETTA 2	1.8 CLI 8V	1800	1985->1992	4	EV	0.8	B6RETC	B6RETI	B6RETIP
JETTA 2	1.8 CSX	1800	1985->1993	4	HV	0.8	B7RETC	B7RETI	B7RETIP
JETTA 2	2.0 16V	2000	1990->1992	4	AAL	0.8	BK7RETC	BK7RETI	BK7RETIP
JETTA 3	1.6 GSL	1600	1992->1996	4	HM	0.8	B7RETC	B7RETI	B7RETIP
JETTA 3	1.6 L	1600	1992->1999	4	ACG	0.8	B6RETC	B6RETI	B6RETIP
JETTA 3	1.8 CLX	1800	1992->1996	4	ACH	0.8	B7RETC	B7RETI	B7RETIP
JETTA 3	2.0 CLI	2000	1992->1996	4	2E/ AGG	0.8	B6RETC	B6RETI	B6RETIP
JETTA 3	2.8 VR6	2800	1992->1996	6	AAA	0.8	BK5REDC	BK5REI	BK5REIP
JETTA 4	1.2 TSI	1200	2011->	4	CBZB	0.7	BK6REAC	BK6REAI	BK6REAIIP
JETTA 4	1.4 TSI	1400	2011->	4	CAXA/CMSB	0.8	BK6REAC	BK6REAI	BK6REAIIP
JETTA 4	1.6 COMFORTLINE	1600	1999->	4	AKL	1	BK6REJC	BK6RETI	BK6RETIP
JETTA 4	1.6 I	1.6	2005->	4	BSF	1	BK6REJC	BK6RETI	BK6RETIP
PASSAT 4	1.8 TURBO	1800	2005->	4	AWT	0.8	BK6RETC	BK6RETI	BK6RETIP
PASSAT 4	2.0 FSI	2000	2005->	4	AZM	1	BK6REJC	BK6RETI	BK6RETIP
PASSAT 4	2.3 I	2300	1997->2000	5	AGZ	0.8	BK5REDC	BK5REI	BK5REIP
PASSAT 4	2.3 I	2300	2001->2005	5	AZX	1.1	BK5REAC	BK5REAI	BK5REAIIP
PASSAT 4	2.8 V6	2800	1999->	6	ACK	0.8	BK6REDC	BK6RETI	BK6RETIP
PASSAT 4	2.8 V6	2800	2001->	6	AMX	0.8	BK6REDC	BK6RETI	BK6RETIP
PASSAT 4	2.8 V6	2800	2005->	6	BBG	0.8	BK6REDC	BK6RETI	BK6RETIP
PASSAT 5	1.6 I	1600	2005->	4	BLF	0.8	BK6REAC	BK6REAI	BK6REAIIP
PASSAT 5	1.8 TSI	1800	2009->	4	CDAA	0.8	BK7RETC	BK7RETI	BK7RETIP
PASSAT 5	1.8 TSI	1800	2012->	4	CDAA	0.8	BK7RETC	BK7RETI	BK7RETIP
PASSAT 5	2.0 FI TURBO	2000	2009->	4	CCTA	0.8	BK7RETC	BK7RETI	BK7RETIP
PASSAT 5	2.0 FSI	2000	2005->	4	BLR	1.1	BK5REAC	BK5REAI	BK5REAIIP
PASSAT 5	2.0 FSI	2000	2005->	4	BLY	0.8	BK6RETC	BK6RETI	BK6RETIP
PASSAT 5	2.0 FSI	2000	2005->	4	BVZ	0.8	BK6RETC	BK6RETI	BK6RETIP
PASSAT 5	2.0 FSI	2000	2005->2007	4	BPY, BWA	0.8	BK6RETC	BK6RETI	BK6RETIP
PASSAT 5	2.0 FSI	2000	2005->2007	4	BVX, BVY	1.1	BK5REAC	BK5REAI	BK5REAIIP
PASSAT 5	2.0 FSI TURBO	2000	2005->	4	AXX	0.8	BK6RETC	BK6RETI	BK6RETIP
POLO	1.8 GTI	1800	2006->	4	BBU, BJX	0.8			
POLO	1.8 GTI	1800	2014->	4	DAJA	0.8			
POLO	1.8 GTI	1800	2014->	4	DAJB	0.8			
POLO CLASSIC	1.4 I	1400	1996->2002	4	AGY	0.8	B6RETC	B6RETI	B6RETIP
POLO CLASSIC	1.4 I	1400	2007->	4	BLM	1	BK5RETC	BK5RETI	BK5RETIP

Model	Type	Capacity	Year	Cyl	Engine	Gap	TAKUMI-Classic*	TAKUMI-Super*	TAKUMI-XSuper*
POLO CLASSIC	1.6 I	1600	1996->2002	4	AFX	0.8	B7RETC	B7RETI	B7RETIP
POLO CLASSIC	1.6 I COMFORTLINE	1600	2002->2007	4	BAH	1	BK5RETC	BK5RETI	BK5RETIP
POLO CLASSIC	1.8 I	1800	1996->2002	4	AFV	0.8	B7RETC	B7RETI	B7RETIP
POLO CLASSIC	2.0 I	2000	2004->	4	BBX	1	BK6REJC	BK6RETI	BK6RETIP
POLO PLAYA	1.4 I	1400	1998->2002	4	AGY	0.8	B6RETC	B6RETI	B6RETIP
POLO PLAYA	1.6 I	1600	1998->2002	4	AFX	0.8	B7RETC	B7RETI	B7RETIP
POLO PLAYA	1.8 I	1800	1999->2002	4	AFV	0.8	B7RETC	B7RETI	B7RETIP
POLO VIVO	1.4 I	1400	2011->	4	CLP	1.1	BK6REHC	BK6REHI	BK6REHIP
POLO VIVO	1.6 I	1600	2011->	4	CLS	1.1	BK6REHC	BK6REHI	BK6REHIP
SCIROCCO	1.4 TSI	1400	2008->	4	CAVD	0.8	BK6REAC	BK6REAI	BK6REAIIP
SCIROCCO	1.8 TFSI	1800	2008->	4	CAXA	0.8	BK6REAC	BK6REAI	BK6REAIIP
SCIROCCO	2.0 TFSI	2000	2008->	4	CAWB	0.8	BK7RETC	BK7RETI	BK7RETIP
SCIROCCO	2.0 TFSI	2000	2013->	4	CULC	0.8	LBK7RETCA	LBK7RETIA	LBK7RETIPA
SCIROCCO	2.0 TSI	2000	2009->	4	CCZB	0.8	BK7RETC	BK7RETI	BK7RETIP
SCIROCCO	2.0 TSI-R	2000	2009->	4	CDLA	0.8	BK7RETC	BK7RETI	BK7RETIP
SCIROCCO	2.0 TSI R	2000	2009->	4	CDLC	0.8	BK7RETC	BK7RETI	BK7RETIP
SHARAN	1.4 TSI	1400	2010->	4	CAVA	0.8	BK6REAC	BK6REAI	BK6REAIIP
SHARAN	1.4 TSI	1400	2015->	4	CZDA	0.8	DC7RETCA	DC7RETIA	DC7RETIPA
SHARAN	1.8 TURBO	1800	1999->2001	4	AJH	0.8	BK6REJC	BK6RETI	BK6RETIP
SHARAN	1.8 TURBO	1800	2000->2005	4	AWC	0.8	BK6RETC	BK6RETI	BK6RETIP
SHARAN	2.0 I	2000	2005->	4	ATM	1	BK6REJC	BK6RETI	BK6RETIP
SHARAN	2.0 TSI	2000	2010->	4	CCZA	0.8	BK7RETC	BK7RETI	BK7RETIP
SHARAN	2.0 TSI	2000	2015->	4	DEDA	0.8	LBK7RETCA	LBK7RETIA	LBK7RETIPA
SHARAN	2.8 VR6	2800	2000->	6	AMY,AAA	0.8	BK5REYD	BK5REI	BK5REIP
SHARAN	2.8 VR6	2800	2005->	6	AYL	1.1	BK5REAC	BK5REAI	BK5REAIIP
T5	3.2 V6	3200	2004->2007	6	BDL,BKK	0.8	BK6REAC	BK6REAI	BK6REAIIP
TIGUAN	1.4 FSI	1400	2007->2008	4	BWK	0.8	BK6REAC	BK6REAI	BK6REAIIP
TIGUAN	1.4 TSI	1400	2008->	4	CAVA	0.8	BK6REAC	BK6REAI	BK6REAIIP
TIGUAN	1.4 TSI	1400	2010->2012	4	CAXA	0.8	BK6REAC	BK6REAI	BK6REAIIP
TIGUAN	1.4 TSI	1400	2012->	4	CAXD	0.8	BK6REAC	BK6REAI	BK6REAIIP
TIGUAN	1.4 TSI	1400	2015->	4	CZDA	0.8	DC7RETCA	DC7RETIA	DC7RETIPA
TIGUAN	1.4 TSI	1400	2015->	4	CZDB	0.8	DC7RETCA	DC7RETIA	DC7RETIPA
TIGUAN	2.0 FI TURBO	2000	2009->	4	CCTA	0.8	BK7RETC	BK7RETI	BK7RETIP
TIGUAN	2.0 TSI	2000	2011->	4	CCZB	0.8	BK7RETC	BK7RETI	BK7RETIP
TOUAREG	3.2 FSI	3200	2002->2006	6	AZZ,BMV	0.8	BK6REAC	BK6REAI	BK6REAIIP
TOUAREG	3.6 FSI	3600	2006->	6	BHK	0.8	LDK7RTC	LDK7RTI	LDK7RTIP
TOUAREG	4.2 FSI	4200	2006->2009	8	BAR	0.8	BK6RETC	BK6RETI	BK6RETIP
TOUAREG	4.2 V8	4200	2002->2006	8	AXQ,BHX	0.8	BK6REQC	BK6RETI	BK6RETIP
TOUAREG	6.0 WR12	6000	2004->	12	BJN	1.1	BK6REAC	BK6REAI	BK6REAIIP
TOURAN	1.2 TFSI	1200	2010->	4	CBZB	0.7	BK6REAC	BK6REAI	BK6REAIIP
TOURAN	1.4 TFSI	1400	2006->	4	BMY/CAVC	0.8	BK6REAC	BK6REAI	BK6REAIIP
TOURAN	1.4 TSI	1400	2015->	4	CZDA	0.8	DC7RETCA	DC7RETIA	DC7RETIPA
TOURAN	1.6 TRENDLINE	1600	2005->	4	BSE,BSF	1	BK6REJC	BK6RETI	BK6RETIP
TOURAN	1.8 TSI	1800	2015->	4	CJSA	0.8	LBK7RETCA	LBK7RETIA	LBK7RETIPA
TOURAN	2.0 FSI	2000	2004->	4	AXW	1.1	BK5REAC	BK5REAI	BK5REAIIP
TOUAREG	3.6 FSI	3600	2010->	6	CGRA	0.8	LDK7RTC	LDK7RTI	LDK7RTIP
TRANSPORTER	1.6 1/2" REACH	1600		4	H,B,AD,AS	0.6	B6HTC	B6HTI	B6HTIP
TRANSPORTER	2.0 I	2000	2003->2007	4	AXA	1	BK6REJC	BK6RETI	BK6RETIP
TRANSPORTER	3.2 I	3200	2005->	6	BKK	0.8	BK6REAC	BK6REAI	BK6REAIIP
TRANSPORTER	3.2 T4	3200	2005->	6	BDL	0.8	BK6REAC	BK6REAI	BK6REAIIP
UP	1.0 I	1000	2015->	3	CHYB	1	DC6REACA	DC6REAIA	DC6REAIIPA
VOLVO									
850	2.3 TURBO SPORTWAGON	2300	1994->	5	B5234FT	0.8	BK7REJC	BK7RETI	BK7RETIP
850	2.5 GLT, GLT SPORTWAGON	2500	1994->	5	B5254F	0.8	BK6RETC	BK6RETI	BK6RETIP
850	2.5 R	2500	1996->1997	5	B5234T5	1.1	BK7RETC	BK7RETI	BK7RETIP
960	2.9 SEDAN-ESTATE	2900	1994->1997	5	B6304FS	0.8	BK6RETC	BK6RETI	BK6RETIP
C30	1.6 I	1600	2006->	4	B4164S3	1.3	BT5REFTC	BT5REFTI	BT5REFTIP
C30	2.0 16V	2000	2006->	4	B4204S3	1.3	BT6REFTC	BT6REFTI	BT6REFTIP
C30	2.0 16V	2000	2007->	4	B4204S	0.8	BK6RETC	BK6RETI	BK6RETIP
C30	2.4 16V	2400	2006->	5	B5244S4	0.8	LBK6RETC	LBK6RETI	LBK6RETIP
C30	2.5 T5	2500	2006->	5	B5254T3	0.8	LBK6RETC	LBK6RETI	LBK6RETIP
C30	2.5 T5	2500	2006->	5	B5254T7	0.8	LBK6RETC	LBK6RETI	LBK6RETIP
C70	2.3 CABRIO T5	2300	2002->	5	B5234T3	0.8	BK6RETC	BK6RETI	BK6RETIP
C70	2.4 I	2500	2006->	5	B5244S4,5	0.8	LBK6RETC	LBK6RETI	LBK6RETIP
C70	2.5 I	2500	2002->	5	B5254	0.8	BK6REYD	BK6RETI	BK6RETIP
C70	2.5 I	2500	2005->	5	B5254T7	0.8	LBK6RETC	LBK6RETI	LBK6RETIP
C70	2.5 I	2500	2006->	5	B5254T3	0.8	LBK6RETC	LBK6RETI	LBK6RETIP
S40	1.8 I	1800	2004->	4	B4184S8 / S11	1.3	BT6REFTC	BT6REFTI	BT6REFTIP
S40	1.9 T4	1900	1998->	4	B4194T	1.1	BK6RETC	BK6RETI	BK6RETIP
S40	2.0 16V	2000	1997->2005	4	B4204S2	0.8	BK6REJC	BK6RETI	BK6RETIP


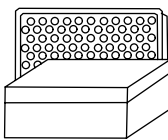
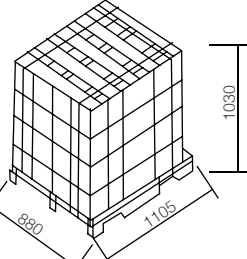

A B C D E F G H I J K L M N O P Q R S T U V W X Y Z VEHICLE MODEL MATCHING TABLE

Model	Type	Capacity	Year	Cyl	Engine	Gap	TAKUMI-Classic*	TAKUMI-Super*	TAKUMI-XSuper*
S40	2.0 16V	2000	2006->	4	B4204S3	1.3	BT6REFTC	BT6REFTI	BT6REFTIP
S40	2.0 T4	2000	2000->2003	4	B4204T5	0.8	BK6RETC	BK6RETI	BK6RETIP
S40	2.0 TURBO	2000	1997->2003	4	B4204T3	0.8	BK6RETC	BK6RETI	BK6RETIP
S40	2.0 TURBO	2000	1999->	4	B4204T	0.8	BK6RETC	BK6RETI	BK6RETIP
S40	2.4 I	2400	2004->	5	B5244S4,S5	0.8	LBK6RETC	LBK6RETI	LBK6RETIP
S40	2.5 I	2500	2005->	5	B5254T3,T5	1.1	LBK6RETC	LBK6RETI	LBK6RETIP
S40	2.5 T5	2500	2007->	5	B5254T7	0.8	LBK6RETC	LBK6RETI	LBK6RETIP
S60	1.6 T3	1600	2011->	4	B4164T3	0.8	LBT6REFHC	LBT6REFHI	LBT6REFHIP
S60	1.6 T4	1600	2011->	4	B4164T	0.8	LBT6REFHC	LBT6REFHI	LBT6REFHIP
S60	2.0 T5	2000	2012->	4	B4204T7	0.8	LBT6REFTC	LBT6REFTI	LBT6REFTIP
S60	2.0 T6	2000	2012->	4	B4204 T9	0.6	LDA8RTC	LDA8RTI	LDA8RTIP
S60	2.0 TURBO	2000	2003->	5	B5204T5	0.8	BK6RETC	BK6RETI	BK6RETIP
S60	2.0 TURBO	2000	2004->	5	B5204T	1.1	LBK6RETC	LBK6RETI	LBK6RETIP
S60	2.3 I T5	2300	2001->	5	B5234T3	0.8	BK6RETC	BK6RETI	BK6RETIP
S60	2.4 I	2400	2001->	5	B5244S	0.8	BK6RETC	BK6RETI	BK6RETIP
S60	2.4 TURBO	2400	2001->	5	B5244T	0.8	BK6RETC	BK6RETI	BK6RETIP
S60	2.5 TURBO	2500	2004->	5	B5254T2	0.8	BK6RETC	BK6RETI	BK6RETIP
S60R	2.5 TURBO	2500	2003->	5	B5254T4	1.1	LBK6RETC	LBK6RETI	LBK6RETIP
S70	2.3 T-5	2300	1997->	5	B5234T4	0.8	BK6RETC	BK6RETI	BK6RETIP
S70	2.5 20V	2500	1994->	5	B5254S	0.8	BK6RETC	BK6RETI	BK6RETIP
S80	2.0 16V	2000	2007->	4	B4204S3 / S4	1.3	BT6REFTC	BT6REFTI	BT6REFTIP
S80	2.5 TURBO	2500	2006->	5	B5254T2,T5	0.8	BK6RETC	BK6RETI	BK6RETIP
S80	2.5 TURBO	2500	2007->	5	B5254 T6 / T8	0.8	LBK6RETC	LBK6RETI	LBK6RETIP
S80	2.8 I T6	2800	1999->	6	B6284T2	0.8	BK7RETC	BK7RETI	BK7RETIP
S80	2.9 I	2900	1999->	6	B6294S	0.8	BK6RETC	BK6RETI	BK6RETIP
S80	3.0 T6	3000	2001->2006	6	B6294T	0.8	BK6RETC	BK6RETI	BK6RETIP
S80	3.2 I	3200	2007->	6	B6324S	0.8	LBK6RETC	LBK6RETI	LBK6RETIP
S90	3.0 I	3000	1997->2000	5	B6304F	0.8	BK6RETC	BK6RETI	BK6RETIP
V40	1.6 T3	1600	2012->	4	B4164T3	0.8	LBT6REFHC	LBT6REFHI	LBT6REFHIP
V40	1.6 T4	1600	2012->	4	B4164T	0.8	LBT6REFHC	LBT6REFHI	LBT6REFHIP
V40	1.9 T4	1900	1998->	4	B4194 T	1.1	BK6RETC	BK6RETI	BK6RETIP
V40	2.0 SWAGON	2000	1997->	4	B4204S	0.8	BK6RETC	BK6RETI	BK6RETIP
V40	2.0 T5	2000	2000->2004	4	B4204T5	1.1	BK6RETC	BK6RETI	BK6RETIP
V50	2.0 16V	2000	2007->	4	B4204S3	1.3	BT6REFTC	BT6REFTI	BT6REFTIP
V50	2.4 L5	2400	2005->	5	B5244S7	0.8	LBK6RETC	LBK6RETI	LBK6RETIP
V50	2.5 T5	2500	2004->	5	B5254T3	1.1	LBK6RETC	LBK6RETI	LBK6RETIP
V50	2.5 T5	2500	2007->	5	B5254T7	0.8	LBK6RETC	LBK6RETI	LBK6RETIP
V60	1.6 T3	1600	2011->	4	B4164T3	0.8	LBT6REFHC	LBT6REFHI	LBT6REFHIP
V60	1.6 T4	1600	2011->	4	B4164T	0.8	LBT6REFHC	LBT6REFHI	LBT6REFHIP
V60	2.0 T5	2000	2010->	4	B4204T7	0.8	LBT6REFTC	LBT6REFTI	LBT6REFTIP
V60	2.0 T6	2000	2012->	4	B4204 T9	0.6	LDA8RTC	LDA8RTI	LDA8RTIP
V60	3.0 T6	3000	2012->	6	B6304 T3	1.1	LBK6RETC	LBK6RETI	LBK6RETIP
V70	2.0 16V	2000	2007->	4	B4204S3 / S4	1.3	BT6REFTC	BT6REFTI	BT6REFTIP
V70	2.0 TURBO	2000	2003->	5	B5204T	0.8	BK7RETC	BK7RETI	BK7RETIP
V70	2.3 T-5 SWAGON	2300	1997->	5	B5234T4	0.8	BK7RETC	BK7RETI	BK7RETIP
V70	2.4 T4	2400	1997->2001	5	B5244T	0.8	BK7RETC	BK7RETI	BK7RETIP
V70	2.4 TURBO	2400	2000->	5	B5244T3	0.8	BK6RETC	BK6RETI	BK6RETIP
V70	2.5 20V	2500	1994->	5	B5254S	0.8	BK6RETC	BK6RETI	BK6RETIP
V70	2.5 R	2500	2004->	5	B5254T4	1.1	LBK6RETC	LBK6RETI	LBK6RETIP
V70	2.5 T6	2500	2007->	5	B5254T6	0.8	LBK6RETC	LBK6RETI	LBK6RETIP
V70	3.0 TURBO	3000	2007->	5	B6304T2	0.8	LBK6RETC	LBK6RETI	LBK6RETIP
V70	3.2 V6	3200	2007->	6	B6324S	0.8	LBK6RETC	LBK6RETI	LBK6RETIP
V90	2.9 SWAGON	2900	1997->2000	6	B6304F	0.8	BK6RETC	BK6RETI	BK6RETIP
V90	3.0 V6	3000	1997->	6	B6304F/G	0.8	BK6RETC	BK6RETI	BK6RETIP
XC60	2.0 T5	2000	2011->	4	B4204T7	0.8	LBT6REFTC	LBT6REFTI	LBT6REFTIP
XC60	2.0 T6	2000	2012->	4	B4204T9	0.6	LDA8RTC	LDA8RTI	LDA8RTIP
XC60	3.0 I	3000	2008->	6	B6304T2	0.8	LBK6RETC	LBK6RETI	LBK6RETIP
XC70	2.4 TURBO	2400	2003->	5	B5244T3	0.8	BK6RETC	BK6RETI	BK6RETIP
XC70	2.5 TURBO	2500	2003->	5	B5254T2	0.8	LBK6RETC	LBK6RETI	LBK6RETIP
XC70	3.2 TURBO	3200	2007->	6	B6324S	0.8	LBK6RETC	LBK6RETI	LBK6RETIP
XC90	2.5 T5	2500	2002->	5	B5254T2	0.8	LBK6RETC	LBK6RETI	LBK6RETIP
XC90	2.5 TURBO	2500	2002->	5	B5254T2	0.8	LBK6RETC	LBK6RETI	LBK6RETIP
XC90	2.9 T6	2900	2003->	6	B6294T	0.8	BK6RETC	BK6RETI	BK6RETIP
XC90	3.2 TURBO	3200	2006->	6	B6324S	0.8	LBK6RETC	LBK6RETI	LBK6RETIP
XC90	4.4 V8	4400	2005->	8	B8444S	1.1	BK6RETC	BK6RETI	BK6RETIP


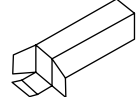
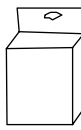
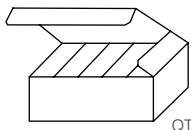
PACKAGING AND LOGISTICS

FOR REFERENCE ONLY

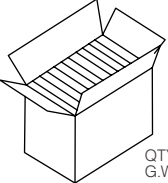
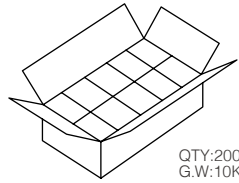


	SIZE (MM)	PACKAGE	
POLYFOAM	349X204X101	 QTY:100PC	
CARTON	357X210X220	 QTY:200PC G.W:12KG	12 CARTONS/ LAYER 4 LAYERS / PALLET 48 CARTONS/ PALLET 9600 PCS/ PALLET

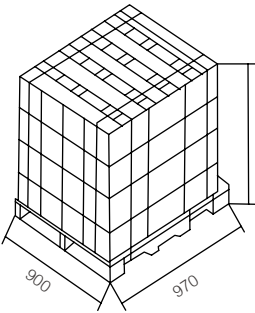
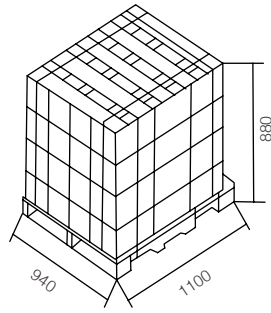


	SIZE (MM)	PACKAGE	
SINGLE BOX	84X23.5X23.5		QTY:1PC
MID BOX	87X99X26 124X87X50	 QTY:4PC	 QTY:10PC



CARTON	315X215X220 460X265X120	 QTY:200PC G.W:12KG	 QTY:200PC G.W:10KG
--------	----------------------------	---	--



PALLET	970X900X1030 1100X940X880		
--------	------------------------------	--	---



SYMBOL OF QUALITY SPIRIT OF MASTER

TEL: +852-93308777
FAX: +852-23982111
WWW.TAKUMIJAP.COM